



CHENMKO ENTERPRISE CO.,LTD

Halogens free devices

SURFACE MOUNT

SCHOTTKY BARRIER RECTIFIER

VOLTAGE RANGE 70 - 100 Volts CURRENT 2.0 Amperes

SBM27GP

THRU

SBM210GP

FEATURES

- * Plastic package has Underwriters Laboratory Flammability Classification 94V-0
- * For surface mounted applications
- * Low profile package
- * Built-in strain relief
- * Metal silicon junction, majority carrier conduction
- * Low power loss, high efficiency
- * High current capability, low forward voltage drop
- * High surge capability
- * For use in low voltage high frequency inverters, free wheeling, and polarity protection applications
- * High temperature soldering guaranteed : 260°C/10 seconds at terminals

MECHANICAL DATA

Case: JEDEC SMB molded plastic

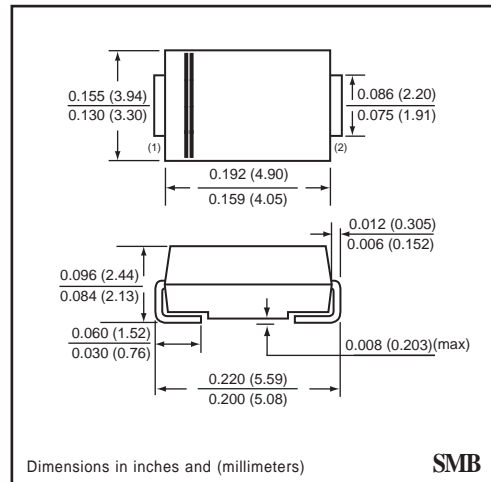
Terminals: Solder plated, solderable per MIL-STD-750, Method 2026

Polarity: Color band denotes cathode end

Weight: 0.003 ounce 0.093 gram



SMB



Dimensions in inches and (millimeters)

SMB

MAXIMUM RATINGS AND ELECTRICAL CHARACTERISTICS

Ratings at 25°C ambient temperature unless otherwise specified.
Single phase, half wave, 60 Hz, resistive or inductive load.
For capacitive load, derate current by 20%.

MAXIMUM RATINGS (At TA = 25°C unless otherwise noted)

RATINGS	SYMBOL	SBM27PT	SBM28PT	SBM29PT	SBM210PT	UNITS
Maximum Recurrent Peak Reverse Voltage	VRRM	70	80	90	100	Volts
Maximum RMS Voltage	VRMS	49	56	63	70	Volts
Maximum DC Blocking Voltage	VDC	70	80	90	100	Volts
Maximum Average Forward Rectified Current	Io	2.0				Amps
Peak Forward Surge Current 8.3 ms single half sine-wave superimposed on rated load (JEDEC method)	IFSM	50				Amps
Typical Junction Capacitance (Note 2)	CJ	110				pF
Typical Thermal Resistance (Note 1)	R θJL	17				°C / W
Operating and Storage Temperature Range	TJ,TSTG	-65 to +150				°C

ELECTRICAL CHARACTERISTICS (At TA = 25°C unless otherwise noted)

CHARACTERISTICS	SYMBOL	SBM27PT	SBM28PT	SBM29PT	SBM210PT	UNITS
Maximum Instantaneous Forward Voltage at 2.0 A DC	VF	0.75		0.80		Volts
Maximum Average Reverse Current at Rated DC Blocking Voltage	@ TA = 25°C	0.5				mAmps
	@ TA = 100°C	10				mAmps

NOTES : 1. Thermal Resistance (Junction to Lead) : PC Board Mounted on 0.2 X 0.2" (5 X 5mm) copper pad area.
2. Measured at 1.0 MHz and applied reverse voltage of 4.0 volts.

RATING CHARACTERISTIC CURVES (SBM27GP THRU SBM210GP)

FIG. 1 - TYPICAL FORWARD CURRENT DERATING CURVE

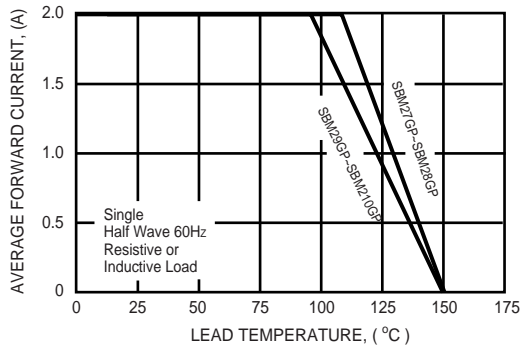


FIG. 2 - TYPICAL INSTANTANEOUS FORWARD CHARACTERISTICS

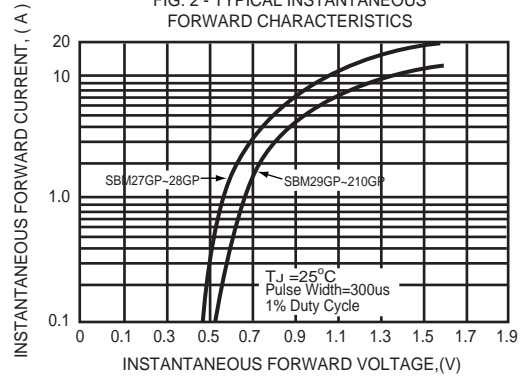


FIG. 3 - TYPICAL REVERSE CHARACTERISTICS

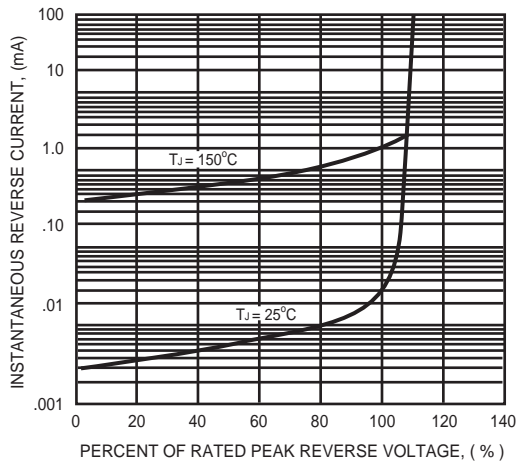


FIG. 4 - MAXIMUM NON-REPETITIVE FORWARD SURGE CURRENT

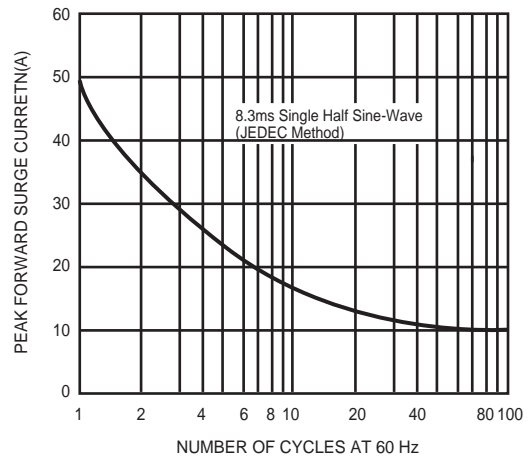


FIG. 5 - TYPICAL JUNCTION CAPACITANCE

