



CHENMKO ENTERPRISE CO.,LTD

S20C200SGP

Halogens free devices

SCHOTTKY BARRIER RECTIFIER

VOLTAGE RANGE 200 Volts CURRENT 20 Amperes

FEATURES

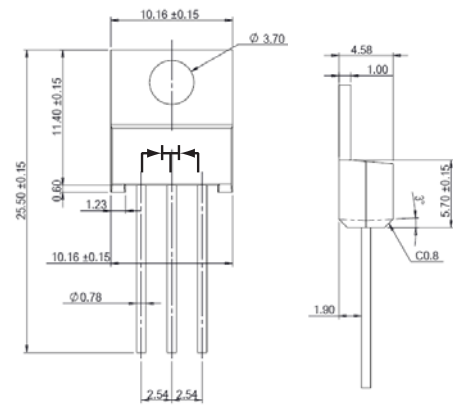
- * Plastic package has Underwriters Laboratory Flammability Classification 94V-0
- * Metal Silicon junction, majority carrier conduction
- * Low power loss, high efficiency
- * High current capability, low forward voltage drop
- * Guardring for overvoltage protection
- * For use in low voltage, high frequency inverters, free wheeling, and polarity protection applications
- * High temperature soldering in accordance with CECC 802 / Reflow guaranteed



TO-220S

MAXIMUM RATINGS AND ELECTRICAL CHARACTERISTICS

Ratings at 25°C ambient temperature unless otherwise specified.
Single phase, half wave, 60 Hz, resistive or inductive load.
For capacitive load, derate current by 20%.



Dimensions in millimeters

TO-220S

MAXIMUM RATINGS (At TA = 25°C unless otherwise noted)

RATINGS	SYMBOL	S20C200SGP	UNITS
Maximum Recurrent Peak Reverse Voltage	V _{RRM}	200	Volts
Maximum RMS Voltage	V _{RMS}	140	Volts
Maximum DC Blocking Voltage	V _{DC}	200	Volts
Maximum Average Forward Rectified Current	I _O	20.0	Amps
Peak Forward Surge Current 8.3 ms single half sine-wave superimposed on rated load (JEDEC method)	I _{FSM}	200	Amps
Typical thermal resistance per leg (NOTE 1)	R _{θJC}	2.5	°C / W
Operating and Storage Temperature Range	T _J , T _{STG}	-60 to +150	°C

ELECTRICAL CHARACTERISTICS (At TA = 25°C unless otherwise noted)

CHARACTERISTICS	SYMBOL	S20C200SGP	UNITS
Maximum Instantaneous Forward Voltage at 10.0 A DC	V _F	0.95	Volts
Maximum instantaneous reverse current at rated DC blocking voltage per leg (NOTE 2)	T _C = 25°C	50	uAmps
	T _C = 125°C	50	mAmps

NOTES : 1. Thermal resistance from junction to case per leg
2. Pulse test : 300 us pulse width, 1% duty cycle

2009-08