



**CHENMKO ENTERPRISE CO.,LTD**

*Halogens free devices*

**SCHOTTKY BARRIER RECTIFIER**

VOLTAGE RANGE 30 - 45 Volts CURRENT 10 Amperes

**S10S30GP  
THRU  
S10S45GP**

**FEATURES**

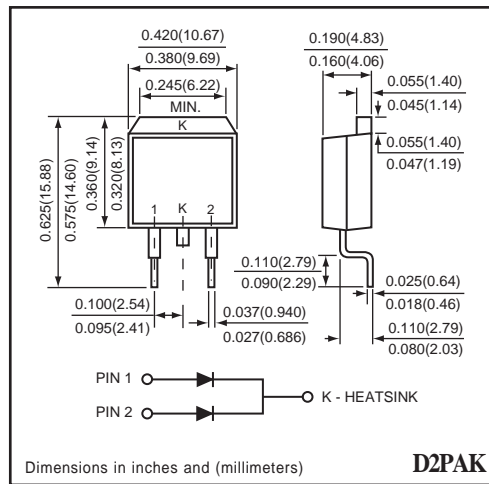
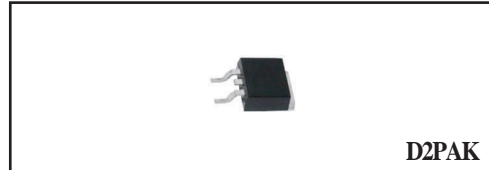
- \* Plastic package has Underwriters Laboratory Flammability Classification 94V-0
- \* Metal Silicon junction, majority carrier conduction
- \* Low power loss,high efficiency
- \* High current capability, low forward voltage drop
- \* Guardring for overvoltage protection
- \* For use in low voltage, high frequency inverters, free wheeling, and polarity protection applications
- \* High temperature soldering in accordance with CECC 802 / Reflow guaranteed

**MECHANICAL DATA**

**Case:** JEDEC D2PAK molded plastic  
**Terminals:** Lead solderable per MIL-STD-750, Method 2026  
**Polarity:** As marked  
**Weight:** 0.08 ounces, 2.24 grams

**MAXIMUM RATINGS AND ELECTRICAL CHARACTERISTICS**

Ratings at 25°C ambient temperature unless otherwise specified.  
 Single phase, half wave, 60 Hz, resistive or inductive load.  
 For capacitive load, derate current by 20%.



**MAXIMUM RATINGS** ( At TA = 25°C unless otherwise noted )

RATINGS	SYMBOL	S10S30GP	S10S35GP	S10S40GP	S10S45GP	UNITS
Maximum Recurrent Peak Reverse Voltage	V <sub>RRM</sub>	30	35	40	45	Volts
Maximum RMS Voltage	V <sub>RMS</sub>	21	24	28	31	Volts
Maximum DC Blocking Voltage	V <sub>DC</sub>	30	35	40	45	Volts
Maximum Average Forward Rectified Current	I <sub>O</sub>	10.0				Amps
Peak Forward Surge Current 8.3 ms single half sine-wave superimposed on rated load (JEDEC method)	I <sub>FSM</sub>	150				Amps
Typical thermal resistance per leg ( NOTE 1 )	R <sub>θJC</sub>	3.0				°C / W
Operating and Storage Temperature Range	T <sub>J</sub> , T <sub>STG</sub>	-40 to +125				°C

**ELECTRICAL CHARACTERISTICS** ( At TA = 25°C unless otherwise noted )

CHARACTERISTICS	SYMBOL	S10S30GP	S10S35GP	S10S40GP	S10S45GP	UNITS
Maximum Instantaneous Forward Voltage at 5.0 A DC	V <sub>F</sub>	0.55				Volts
Maximum instantaneous reverse current at rated DC blocking voltage per leg ( NOTE 2 )	T <sub>C</sub> = 25°C	1.0				mAmps
	T <sub>C</sub> = 100°C	50				mAmps

NOTES : 1. Thermal resistance from junction to case per leg  
 2. Pulse test : 300 us pulse width, 1% duty cycle

## RATING CHARACTERISTIC CURVES ( S10S30GP THRU S10S45GP )

FIG. 1 - TYPICAL FORWARD CURRENT DERATING CURVE

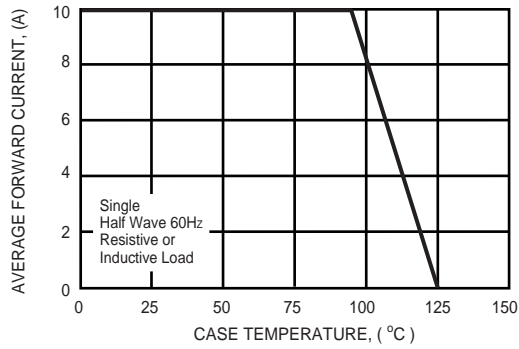


FIG. 2 - MAXIMUM NON-REPETITIVE FORWARD SURGE CURRENT

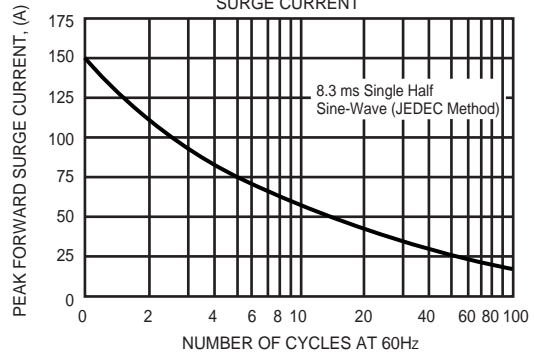


FIG. 3 - TYPICAL INSTANTANEOUS FORWARD CHARACTERISTICS

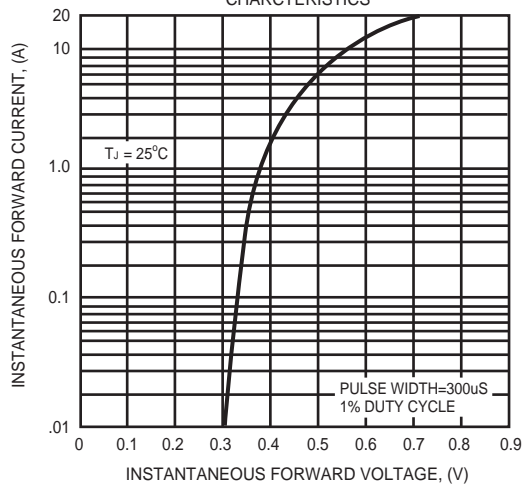


FIG. 4 - TYPICAL REVERSE CHARACTERISTICS

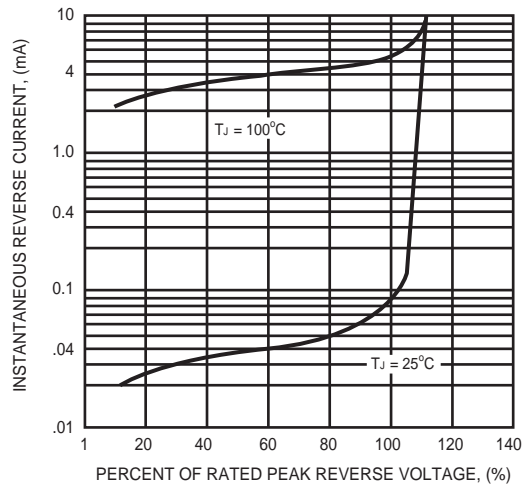


FIG. 5 - TYPICAL JUNCTION CAPACITANCE

