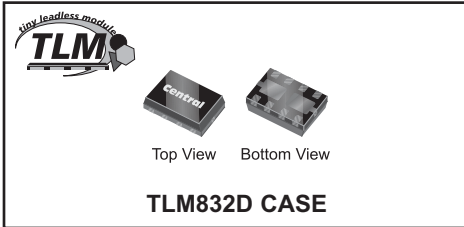


**CTLDM7120-M832D**

**SURFACE MOUNT  
DUAL, N-CHANNEL  
ENHANCEMENT-MODE  
SILICON MOSFETS**



www.centrasemi.com



• Device is **Halogen Free** by design

**APPLICATIONS:**

- Switching Circuits
- DC - DC Converters
- Battery powered portable devices

**MAXIMUM RATINGS:** ( $T_A=25^\circ\text{C}$ )

Drain-Source Voltage  
Gate-Source Voltage  
Continuous Drain Current (Steady State)  
Maximum Pulsed Drain Current,  $t_p=10\mu\text{s}$   
Power Dissipation (Note 1)  
Operating and Storage Junction Temperature  
Thermal Resistance (Note 1)

**DESCRIPTION:**

The CENTRAL SEMICONDUCTOR CTLDM7120-M832D is an Enhancement-mode Dual N-Channel Field Effect Transistor, manufactured by the N-Channel DMOS Process, designed for high speed pulsed amplifier and driver applications. This MOSFET offers Low  $r_{DS(ON)}$  and Low Threshold Voltage.

**MARKING CODE: CFT**

**FEATURES:**

- ESD protection up to 2kV
- Low  $r_{DS(ON)}$  (0.25 $\Omega$  MAX @  $V_{GS}=1.5\text{V}$ )
- High current ( $I_D=1.0\text{A}$ )
- Logic level compatibility

SYMBOL		UNITS
$V_{DS}$	20	V
$V_{GS}$	8.0	V
$I_D$	1.0	A
$I_{DM}$	4.0	A
$P_D$	1.65	W
$T_J, T_{stg}$	-65 to +150	$^\circ\text{C}$
$\theta_{JA}$	76	$^\circ\text{C/W}$

**ELECTRICAL CHARACTERISTICS PER TRANSISTOR:** ( $T_A=25^\circ\text{C}$  unless otherwise noted)

SYMBOL	TEST CONDITIONS	MIN	TYP	MAX	UNITS
$I_{GSSF}, I_{GSSR}$	$V_{GS}=8.0\text{V}, V_{DS}=0$			10	$\mu\text{A}$
$I_{DSS}$	$V_{DS}=20\text{V}, V_{GS}=0$			10	$\mu\text{A}$
$BV_{DSS}$	$V_{GS}=0, I_D=250\mu\text{A}$	20			V
$V_{GS(th)}$	$V_{DS}=10\text{V}, I_D=1.0\text{mA}$	0.5		1.2	V
$V_{SD}$	$V_{GS}=0, I_S=1.0\text{A}$			1.1	V
$r_{DS(ON)}$	$V_{GS}=4.5\text{V}, I_D=500\text{mA}$		0.075	0.10	$\Omega$
$r_{DS(ON)}$	$V_{GS}=2.5\text{V}, I_D=500\text{mA}$		0.10	0.14	$\Omega$
$r_{DS(ON)}$	$V_{GS}=1.5\text{V}, I_D=100\text{mA}$		0.17	0.25	$\Omega$
$Q_g(\text{tot})$	$V_{DS}=10\text{V}, V_{GS}=4.5\text{V}, I_D=1.0\text{A}$		2.4		nC
$Q_{gs}$	$V_{DS}=10\text{V}, V_{GS}=4.5\text{V}, I_D=1.0\text{A}$		0.25		nC
$Q_{gd}$	$V_{DS}=10\text{V}, V_{GS}=4.5\text{V}, I_D=1.0\text{A}$		0.65		nC
$g_{FS}$	$V_{DS}=10\text{V}, I_D=500\text{mA}$		4.2		S
$C_{rSS}$	$V_{DS}=10\text{V}, V_{GS}=0, f=1.0\text{MHz}$		45		pF
$C_{iSS}$	$V_{DS}=10\text{V}, V_{GS}=0, f=1.0\text{MHz}$		220		pF
$C_{OSS}$	$V_{DS}=10\text{V}, V_{GS}=0, f=1.0\text{MHz}$		120		pF
$t_{on}$	$V_{DD}=10\text{V}, V_{GS}=5.0\text{V}, I_D=500\text{mA}$		25		ns
$t_{off}$	$V_{DD}=10\text{V}, V_{GS}=5.0\text{V}, I_D=500\text{mA}$		140		ns

Notes: (1) FR-4 Epoxy PCB with copper mounting pad area of 54mm<sup>2</sup>.

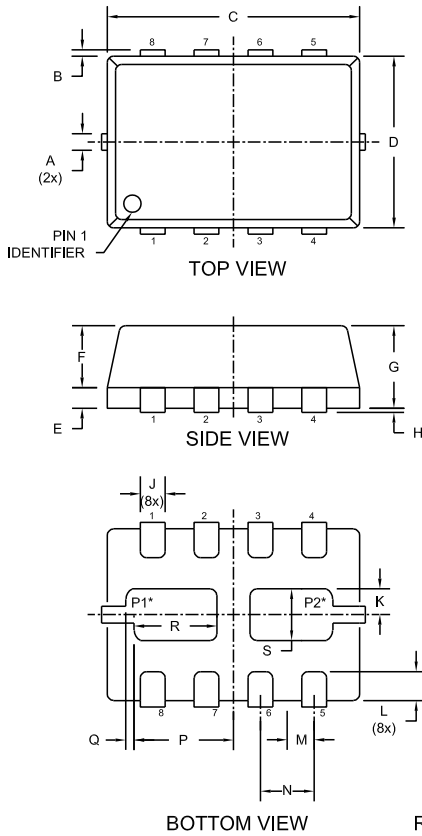
R2 (2-August 2011)

CTLDM7120-M832D

**SURFACE MOUNT  
DUAL, N-CHANNEL  
ENHANCEMENT-MODE  
SILICON MOSFETS**



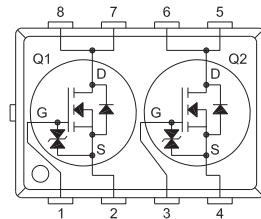
**TLM832D CASE - MECHANICAL OUTLINE**



SYMBOL	INCHES		MILLIMETERS	
	MIN	MAX	MIN	MAX
A	0.007	0.012	0.170	0.300
B	-	0.005	-	0.125
C	0.114	0.122	2.900	3.100
D	0.075	0.083	1.900	2.100
E	0.006	0.010	0.150	0.250
F	0.026	0.030	0.650	0.750
G	0.031	0.039	0.800	1.000
H	0.000	0.002	0.000	0.050
J	0.009	0.013	0.240	0.340
K	0.006	0.014	0.160	0.360
L	0.008	0.018	0.200	0.450
M	0.013		0.325	
N	0.026		0.650	
P	0.040	0.048	1.010	1.210
Q	0.004		0.100	
R	0.032	0.040	0.820	1.020
S	0.017	0.025	0.430	0.630

TLM832D (REV: R2)

**PIN CONFIGURATION**



**LEAD CODE:**

- 1) Gate Q1
- 2) Source Q1
- 3) Gate Q2
- 4) Source Q2
- 5) Drain Q2
- 6) Drain Q2
- 7) Drain Q1
- 8) Drain Q1

**MARKING CODE: CFT**

\* Note:

- Exposed pad P1 common to pins 7 and 8
- Exposed pad P2 common to pins 5 and 6

R2 (2-August 2011)