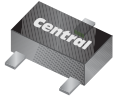


CMUD4448

**SURFACE MOUNT
HIGH SPEED
SILICON SWITCHING DIODE**

ULTRAmimi™



SOT-523 CASE

Central™
Semiconductor Corp.

www.centrasemi.com

DESCRIPTION:

The CENTRAL SEMICONDUCTOR CMUD4448 type is an ultra-high speed silicon switching diode manufactured by the epitaxial planar process, epoxy molded in an ULTRAmimi™ surface mount package, designed for high speed switching applications.

MARKING CODE: DAA

MAXIMUM RATINGS: (T_A=25°C)

Continuous Reverse Voltage
Peak Repetitive Reverse Voltage
Continuous Forward Current
Peak Repetitive Forward Current
Peak Forward Surge Current, tp=1.0µs
Peak Forward Surge Current, tp=1.0s
Power Dissipation
Operating and Storage Junction Temperature
Thermal Resistance

SYMBOL

V_R 75
V_{RRM} 100
I_F 250
I_{FRM} 500
I_{FSM} 4.0
I_{FSM} 1.0
P_D 250
T_J, T_{stg} -65 to +150
θ_{JA} 500

UNITS

V
V
mA
mA
A
A
mW
°C
°C/W

ELECTRICAL CHARACTERISTICS: (T_A=25°C unless otherwise noted)

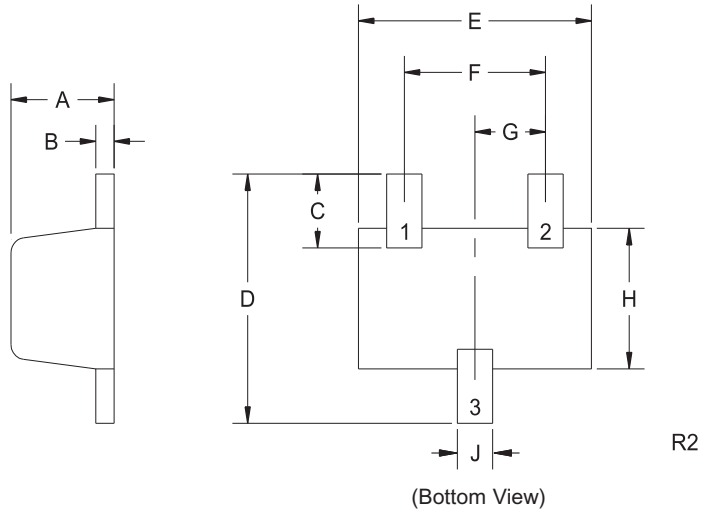
SYMBOL	TEST CONDITIONS	MIN	MAX	UNITS
I _R	V _R =20V		25	nA
BV _R	I _R =5.0µA	75		V
BV _R	I _R =100µA	100		V
V _F	I _F =5.0mA	0.62	0.72	V
V _F	I _F =100mA		1.0	V
C _T	V _R =0, f=1.0MHz		4.0	pF
t _{rr}	I _R =I _F =10mA, I _{rr} =1.0mA, R _L =100Ω		4.0	ns

R3 (9-February 2010)

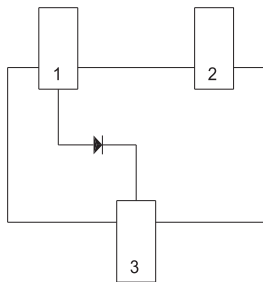
CMUD4448
SURFACE MOUNT
HIGH SPEED
SILICON SWITCHING DIODE



SOT-523 CASE - MECHANICAL OUTLINE



PIN CONFIGURATION



LEAD CODE:

- 1) Anode
- 2) No Connection
- 3) Cathode

MARKING CODE: DAA

SYMBOL	INCHES		MILLIMETERS	
	MIN	MAX	MIN	MAX
A	0.023	0.031	0.58	0.78
B	0.002	0.008	0.04	0.20
C	0.013	0.021	0.34	0.54
D	0.059	0.067	1.50	1.70
E	0.059	0.067	1.50	1.70
F	0.035	0.043	0.90	1.10
G	0.020		0.50	
H	0.031	0.039	0.78	0.98
J	0.010	0.014	0.25	0.35

SOT-523 (REV: R2)

R3 (9-February 2010)