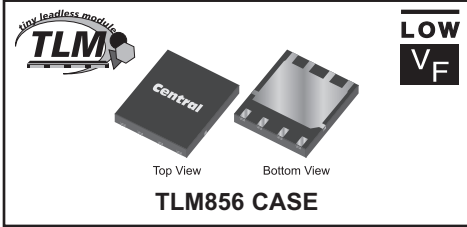


CTLSH10-60M856

**SURFACE MOUNT
LOW V_F
SILICON SCHOTTKY RECTIFIER**



www.centrasemi.com



DESCRIPTION:

The CENTRAL SEMICONDUCTOR CTLSH10-60M856 is a high performance 10 amp silicon Schottky rectifier with exceptional energy efficiency. This low profile device was designed for space constrained applications, such as a by-pass diode for solar panels.

MARKING CODE: CSH1060

APPLICATIONS:

- Solar panel by-pass diode
- OR-ing diode
- Reverse polarity protection

FEATURES:

- Low forward voltage, $V_F=0.59V$ TYP @ 10A
- Low reverse leakage current, $I_R=75\mu A$ TYP @ 60V
- Low profile 1.0mm MAX package height

MAXIMUM RATINGS: ($T_A=25^\circ C$)

Peak Repetitive Reverse Voltage
 DC Blocking Voltage
 Average Forward Current
 Peak Forward Surge Current, $t_p=8.3ms$
 Power Dissipation
 Operating and Storage Junction Temperature
 Thermal Resistance

SYMBOL		UNITS
V_{RRM}	60	V
V_R	60	V
I_O	10	A
I_{FSM}	250	A
P_D	7.0	W
T_J, T_{stg}	-65 to +150	$^\circ C$
θ_{JL}	5.0	$^\circ C/W$

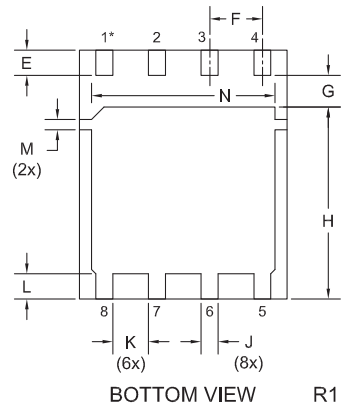
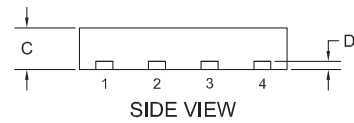
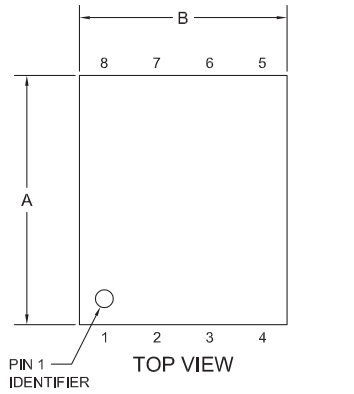
ELECTRICAL CHARACTERISTICS: ($T_A=25^\circ C$ unless otherwise noted)

SYMBOL	TEST CONDITIONS	MIN	TYP	MAX	UNITS
I_R	$V_R=60V$		75	500	μA
I_R	$V_R=60V, T_A=100^\circ C$			50	mA
BV_R	$I_R=0.4mA$	60			V
V_F	$I_F=5.0A$		0.49		V
V_F	$I_F=10A$		0.59	0.67	V

CTLSH10-60M856
SURFACE MOUNT
LOW V_F
SILICON SCHOTTKY RECTIFIER



TLM856 CASE - MECHANICAL OUTLINE



* Pins 1, 2, and 3 are internally connected

LEAD CODE:

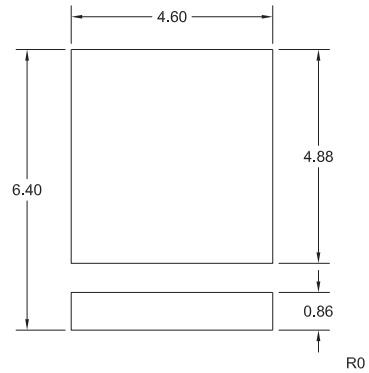
- | | |
|----------|------------|
| 1) Anode | 5) Cathode |
| 2) Anode | 6) Cathode |
| 3) Anode | 7) Cathode |
| 4) N/C | 8) Cathode |

MARKING CODE: CSH1060

SYMBOL	INCHES		MILLIMETERS	
	MIN	MAX	MIN	MAX
A	0.232	0.240	5.90	6.10
B	0.193	0.201	4.90	5.10
C	0.037	0.040	0.95	1.025
D	0.008		0.20	
E	0.022	0.026	0.56	0.66
F	0.050		1.27	
G	0.028	0.032	0.71	0.81
H	0.180	0.184	4.58	4.68
J	0.014	0.018	0.36	0.46
K	0.034		0.86	
L	0.022	0.026	0.56	0.66
M	0.008	0.012	0.20	0.30
N	0.172	0.176	4.37	4.47

TLM856 (REV:R1)

SUGGESTED MOUNTING PADS
(Dimensions in mm)



R3 (23-August 2012)