

CSHDD16-40C CSHDD16-100C
 CSHDD16-60C CSHDD16-200C

**SURFACE MOUNT SILICON
 DUAL, COMMON CATHODE
 SCHOTTKY RECTIFIERS
 16 AMP, 40 THRU 200 VOLT**



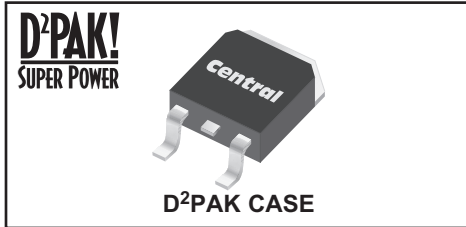
www.centrasemi.com

DESCRIPTION:

The CENTRAL SEMICONDUCTOR CSHDD16-40C series devices are silicon Schottky rectifiers designed for surface mount applications requiring a low forward voltage drop.

MARKING:

CSHDD16-40C: CSHDD16-40C or CSHDD16-40
CSHDD16-60C: CSHDD16-60C or CSHDD16-60
CSHDD16-100C: CSHDD16-100C or CSHDD16-100
CSHDD16-200C: CSHDD16-200C or CSHDD16-200



FEATURES:

- High reliability
- Low forward voltage
- High current capability
- High surge capacity
- UL flammability classification 94V-O
- Superior lot to lot consistency
- Low power loss, high efficiency
- High voltage

MAXIMUM RATINGS: ($T_A=25^\circ\text{C}$ unless otherwise noted)

	SYMBOL	CSHDD16				UNITS
		-40C	-60C	-100C	-200C	
Peak Repetitive Reverse Voltage	V_{RRM}	40	60	100	200	V
DC Blocking Voltage	V_R	40	60	100	200	V
RMS Reverse Voltage	$V_{R(RMS)}$	28	42	70	140	V
Average Forward Current ($T_L=75^\circ\text{C}$)	I_O			16		A
Peak Forward Surge Current, $t_p=8.3\text{ms}$	I_{FSM}			150		A
Operating and Storage Junction Temperature	T_J, T_{stg}		-65 to +175			$^\circ\text{C}$
Typical Thermal Resistance	θ_{JL}			2.0		$^\circ\text{C/W}$
Typical Thermal Resistance	θ_{JA}			50		$^\circ\text{C/W}$

ELECTRICAL CHARACTERISTICS PER DIODE: ($T_A=25^\circ\text{C}$ unless otherwise noted)

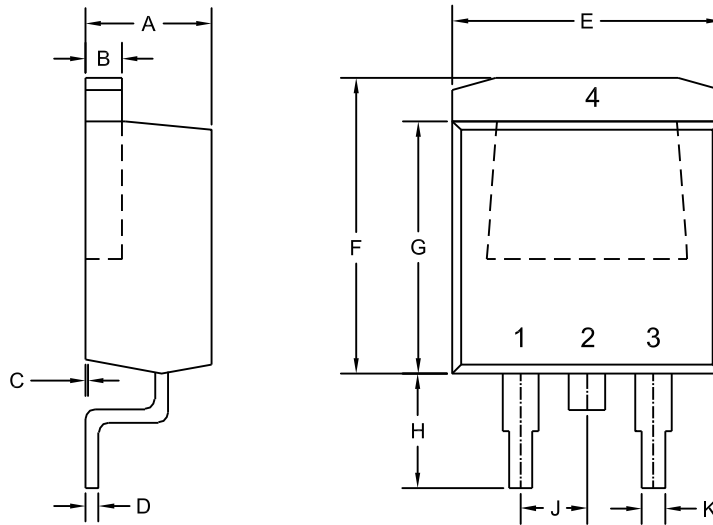
SYMBOL	TEST CONDITIONS	CSHDD16								UNITS
		-40C		-60C		-100C		-200C		
		TYP	MAX	TYP	MAX	TYP	MAX	TYP	MAX	
I_R	$V_R=\text{Rated } V_{RRM}$	-	50	-	50	-	50	-	50	μA
I_R	$V_R=\text{Rated } V_{RRM}, T_J=100^\circ\text{C}$	-	20	-	20	-	20	-	20	mA
V_F	$I_F=8.0\text{A}$	-	0.7	-	0.75	-	0.8	-	0.9	V
V_F	$I_F=16\text{A}$	-	0.84	-	0.95	-	1.10	-	1.2	V
C_J	$V_R=4.0\text{V}, f=1.0\text{MHz}$	300	-	300	-	300	-	300	-	pF

CSHDD16-40C CSHDD16-100C
 CSHDD16-60C CSHDD16-200C

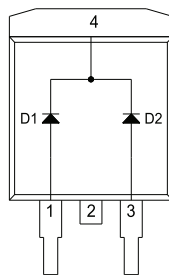


**SURFACE MOUNT SILICON
 DUAL, COMMON CATHODE
 SCHOTTKY RECTIFIERS
 16 AMP, 40 THRU 200 VOLT**

D²PAK CASE - MECHANICAL OUTLINE



R2



LEAD CODE:

- 1) Anode D1
 - 2) Cathode D1, D2
 - 3) Anode D2
 - 4) Cathode D1, D2
- Pin 2 is Common to the Tab (4)

SYMBOL	DIMENSIONS			
	INCHES		MILLIMETERS	
	MIN	MAX	MIN	MAX
A	0.163	0.189	4.14	4.80
B	0.045	0.055	1.14	1.40
C	0.000	0.010	0.00	0.25
D	0.012	0.028	0.30	0.70
E	0.386	0.409	9.80	10.40
F	0.378	0.417	9.60	10.60
G	0.335	0.358	8.50	9.10
H	0.197	0.236	5.00	6.00
J	0.093	0.108	2.35	2.75
K	0.030	0.035	0.75	0.90

D2PAK (REV: R2)

R7 (19-February 2014)