

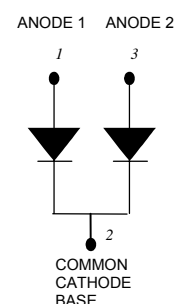
MBR6060WT SCHOTTKY RECTIFIER

Applications:

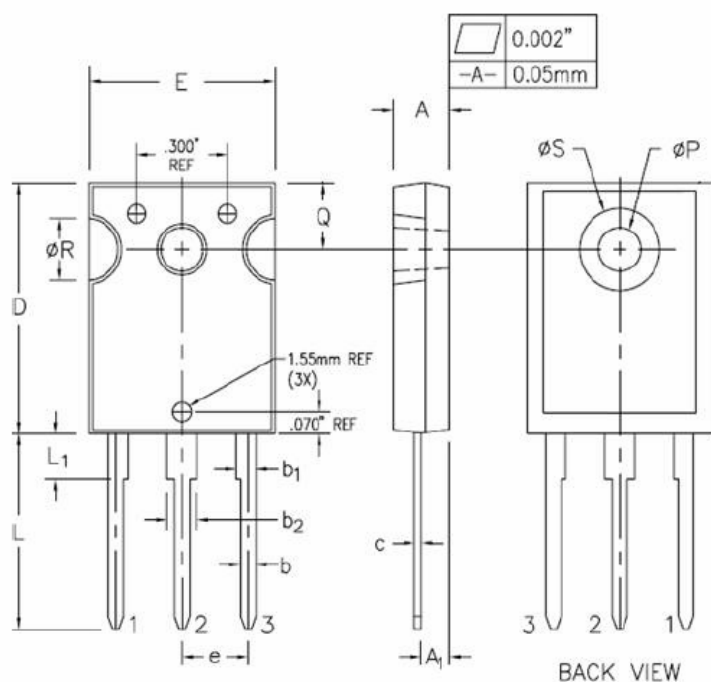
- Switching power supply
- Converters
- Free-Wheeling diodes
- Reverse battery protection
- Center tap configuration

Features:

- 150°C T_J operation
- Center tap TO-247AD package
- Low forward voltage drop
- High purity, high temperature epoxy encapsulation for enhanced mechanical strength and moisture resistance
- High frequency operation
- Guard ring for enhanced ruggedness and long term reliability
- This is a Pb - Free Device
- All SMC parts are traceable to the wafer lot
- Additional testing can be offered upon request

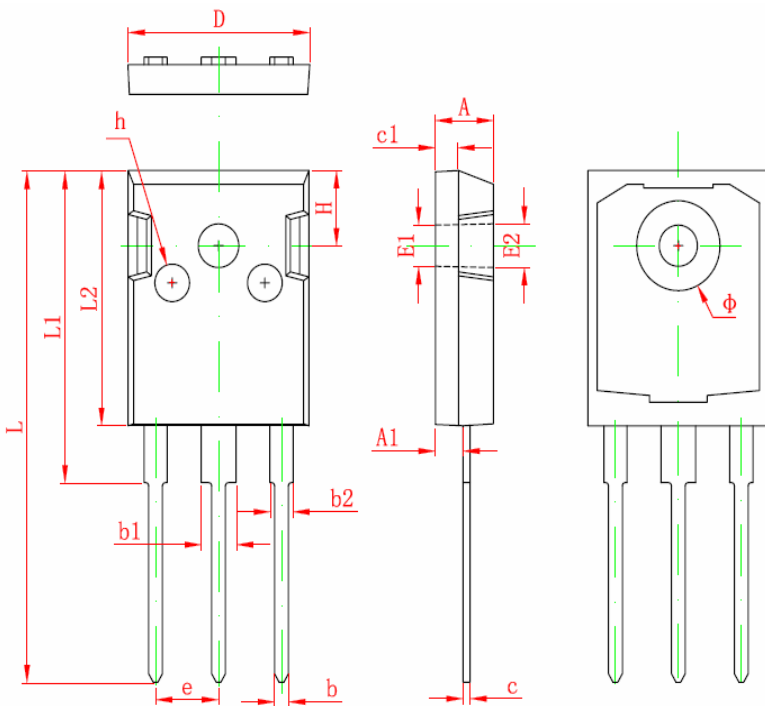


Mechanical Dimensions: In mm



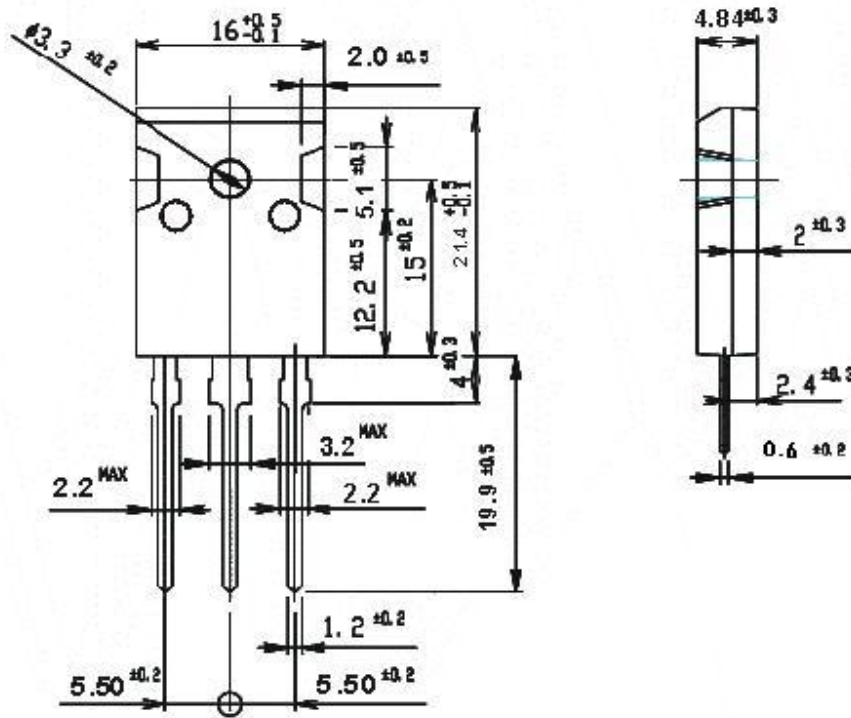
SYMBOL	MILLIMETERS	
	MIN.	MAX.
A	4.58	4.82
A ₁	2.29	2.66
b	1.17	1.35
b ₁	1.53	1.77
b ₂	2.42	2.66
c	0.51	0.71
D	20.32	20.82
E	15.37	15.87
e	5.56 BSC.	
L	15.75	16.25
L ₁	3.69	3.93
øP	3.51	3.65
Q	5.34	5.58
øR	4.96	5.20
øS	6.61	6.85

OPTION 1



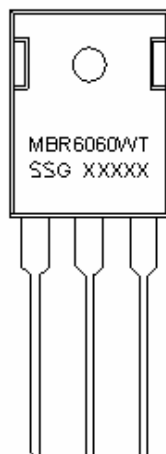
Symbol	Dimensions In Millimeters	
	Min	Max
A	4.850	5.150
A1	2.200	2.600
b	1.000	1.400
b1	2.800	3.200
b2	1.800	2.200
c	0.500	0.700
c1	1.900	2.100
D	15.450	15.750
E1	3.500 REF	
E2	3.600 REF	
L	40.900	41.300
L1	24.800	25.100
L2	20.300	20.600
Φ	7.100	7.300
e	5.450 TYP	
H	5.980 REF	
h	0.000	0.300

OPTION 2



OPTION 3

TO-247AD

Technical Data
Data Sheet N0747, Rev. -
Green Products
Marking Diagram:


Where XXXXX is YYWWL

MBR	= Device Type
60	= Forward Current (60A)
60	= Reverse Voltage (60V)
WT	= Configuration
SSG	= SSG
YY	= Year
WW	= Week
L	= Lot Number

Cautions: Molding resin
 Epoxy resin UL:94V-0

Ordering Information:

Device	Package	Shipping
MBR6060WT	TO-247AD (Pb-Free)	30pcs/ tube

For information on tape and reel specifications, including part orientation and tape sizes, please refer to our Tape and Reel Packaging Specification.

Maximum Ratings:

Characteristics	Symbol	Condition	Max	Units
Peak Reverse Voltage	V_{RWM}	-	60	V
Max. Average Forward Current	$I_{F(AV)}$	50% duty cycle @TC =135°C rectangular wave form	30(per leg)	A
			60(per leg)	
Repetitive Avalanche Current(per leg)	I_{AR}	Current decaying linearly to zero in 1 μ sec Frequency limited by T_J max. $V_A=1.5 \times V_R$ typical	6	A
Max. Peak One Cycle Non-Repetitive Surge Current (per leg)	I_{FSM}	8.3 ms, half Sine pulse	510	A

Electrical Characteristics:

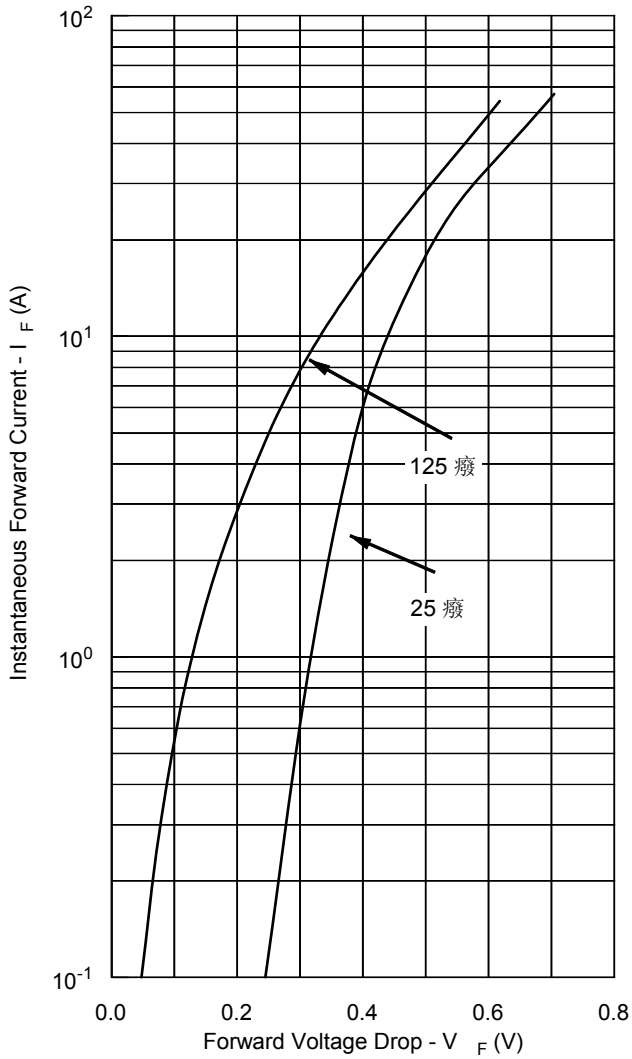
Characteristics	Symbol	Condition	Max.	Units
Max. Forward Voltage Drop (per leg) *	V_{F1}	@ 30A, Pulse, $T_J = 25^\circ\text{C}$	0.69	V
	V_{F2}	@ 30 A, Pulse, $T_J = 125^\circ\text{C}$	0.64	V
Max. Reverse Current (per leg) *	I_{R1}	@ $V_R = \text{rated VDC}$, $T_J = 25^\circ\text{C}$	1.0	mA
	I_{R2}	@ $V_R = \text{rated VDC}$, $T_J = 125^\circ\text{C}$	150	mA
Max. Junction Capacitance (per leg)	C_T	@ $V_R = 5\text{V}$, $T_C = 25^\circ\text{C}$ $f_{\text{SIG}} = 1\text{MHz}$	1400	pF
Typical Series Inductance (per leg)	L_S	Measured lead to lead 5 mm from package body	7.5	nH
Max. Voltage Rate of Change	dv/dt	-	10,000	V/ μs

* Pulse Width < 300 μs , Duty Cycle <2%
 Measured lead to lead 5 mm from package body

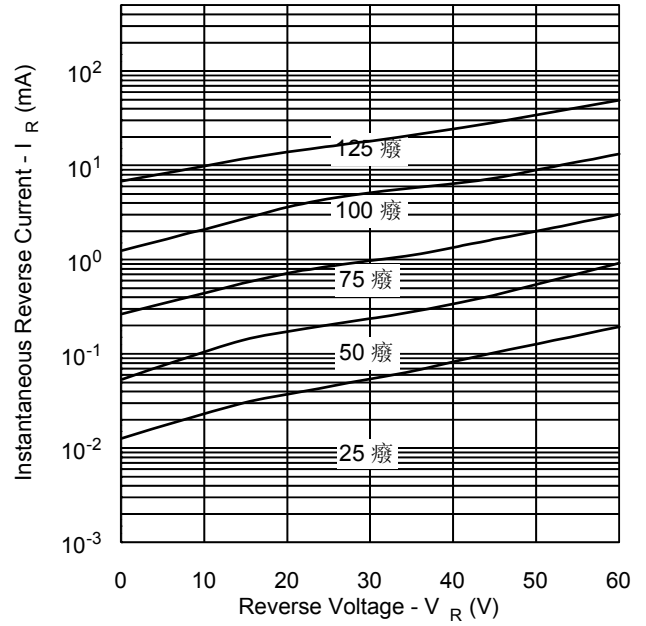
Thermal-Mechanical Specifications:

Characteristics	Symbol	Condition	Specification	Units
Junction Temperature Range	T_J	-	-55 to +150	$^\circ\text{C}$
Storage Temperature Range	T_{stg}	-	-55 to +150	$^\circ\text{C}$
Maximum Thermal Resistance Junction to Case	$R_{\theta\text{JC}}$	DC operation	1.0 (per device)	$^\circ\text{C/W}$
			0.5 (per device)	
Maximum Thermal Resistance, Case to Heat Sink	$R_{\theta\text{CS}}$	Mounting surface, smooth and greased	0.24	$^\circ\text{C/W}$
Approximate Weight	wt	-	6	g
Case Style	TO-247AD			

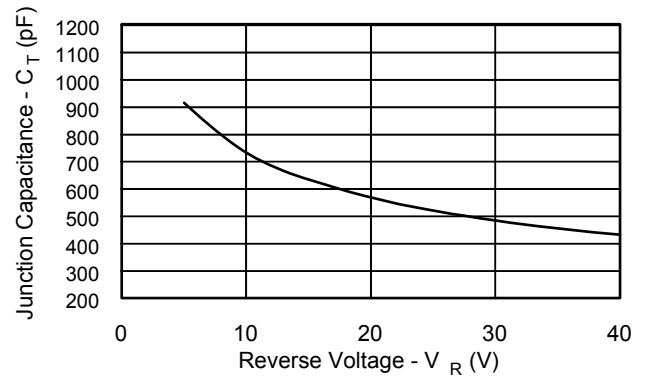
Typical Forward Characteristics



Typical Reverse Characteristics



Typical Junction Capacitance



DISCLAIMER:

1- The information given herein, including the specifications and dimensions, is subject to change without prior notice to improve product characteristics. Before ordering, purchasers are advised to contact the SMC - Sangdest Microelectronics (Nanjing) Co., Ltd sales department for the latest version of the datasheet(s).

2- In cases where extremely high reliability is required (such as use in nuclear power control, aerospace and aviation, traffic equipment, medical equipment, and safety equipment), safety should be ensured by using semiconductor devices that feature assured safety or by means of users' fail-safe precautions or other arrangement.

3- In no event shall SMC - Sangdest Microelectronics (Nanjing) Co., Ltd be liable for any damages that may result from an accident or any other cause during operation of the user's units according to the datasheet(s). SMC - Sangdest Microelectronics (Nanjing) Co., Ltd assumes no responsibility for any intellectual property claims or any other problems that may result from applications of information, products or circuits described in the datasheets.

4- In no event shall SMC - Sangdest Microelectronics (Nanjing) Co., Ltd be liable for any failure in a semiconductor device or any secondary damage resulting from use at a value exceeding the absolute maximum rating.

5- No license is granted by the datasheet(s) under any patents or other rights of any third party or SMC - Sangdest Microelectronics (Nanjing) Co., Ltd.

6- The datasheet(s) may not be reproduced or duplicated, in any form, in whole or part, without the expressed written permission of SMC - Sangdest Microelectronics (Nanjing) Co., Ltd.

7- The products (technologies) described in the datasheet(s) are not to be provided to any party whose purpose in their application will hinder maintenance of international peace and safety nor are they to be applied to that purpose by their direct purchasers or any third party. When exporting these products (technologies), the necessary procedures are to be taken in accordance with related laws and regulations..