

### SUPER FAST RECTIFIERS

VOLTAGE RANGE: 100 --- 600 V  
CURRENT: 16 A

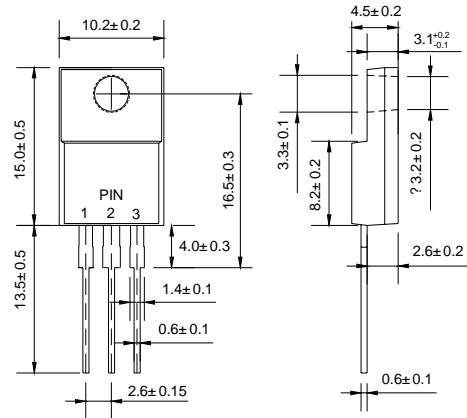
#### FEATURES

- ◇ Low cost
- ◇ Low leakage
- ◇ Low forward voltage drop
- ◇ High current capability
- ◇ Easily cleaned with alcohol, Isopropanol and similar solvents
- ◇ The plastic material carries U/L recognition 94V-0

#### MECHANICAL DATA

- ◇ Case: JEDEC ITO-220AB, molded plastic
- ◇ Terminals: Solderable per MIL-STD-750, Method 2026
- ◇ Polarity: As marked
- ◇ Weight: 0.06 ounce, 1.67 grams
- ◇ Mounting position: Any

#### ITO-220AB



Dimensions in millimeters

#### MAXIMUM RATINGS AND ELECTRICAL CHARACTERISTICS

Ratings at 25°C ambient temperature unless otherwise specified.

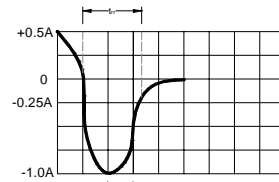
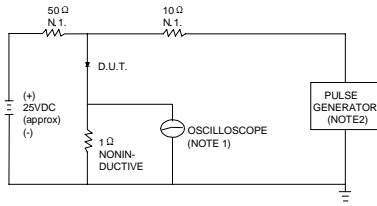
Single phase, half wave, 60 Hz, resistive or inductive load. For capacitive load, derate by 20%.

		GF 1610FC	GF 1620FC	GF 1630FC	GF 1640FC	GF 1650FC	GF 1660FC	UNITS
Maximum recurrent peak reverse voltage	$V_{RRM}$	100	200	300	400	500	600	V
Maximum RMS voltage	$V_{RMS}$	70	140	210	280	350	420	V
Maximum DC blocking voltage	$V_{DC}$	100	200	300	400	500	600	V
Maximum average forward rectified current @ $T_C=100^\circ\text{C}$	$I_{F(AV)}$	16						A
Peak forward surge current 8.3ms single half-sine-wave superimposed on rated load @ $T_J=125^\circ\text{C}$	$I_{FSM}$	125						A
Maximum instantaneous forward voltage @ 8.0A	$V_F$	0.98		1.3		1.7		V
Maximum reverse current @ $T_A=25^\circ\text{C}$ at rated DC blocking voltage @ $T_A=150^\circ\text{C}$	$I_R$	5.0		10		500		$\mu\text{A}$
Maximum reverse recovery time (Note1)	$t_{rr}$	30						ns
Operating junction temperature range	$T_J$	- 55 ----- + 150						$^\circ\text{C}$
Storage temperature range	$T_{STG}$	- 55 ----- + 150						$^\circ\text{C}$

NOTE: 1. Measured with  $I_F=0.5\text{A}$ ,  $I_R=1\text{A}$ ,  $t_{rr}=0.25\text{A}$ .

www.galaxycn.com

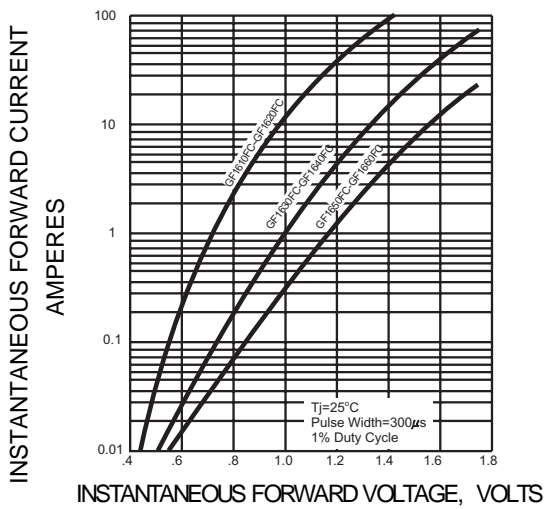
**FIG.1 – TEST CIRCUIT DIAGRAM AND REVERSE RECOVERY TIME CHARACTERISTIC**



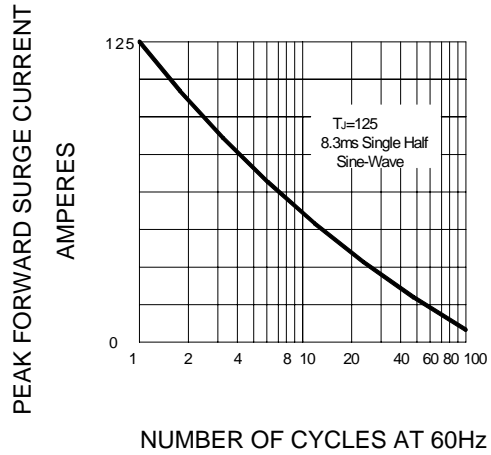
SET TIME BASE FOR 15 ns/cm

NOTES: 1. RISE TIME = 7ns MAX INPUT IMPEDANCE = 1MΩ, 22pF.  
2. RISE TIME = 10ns MAX SOURCE IMPEDANCE = 50 Ω.

**FIG.2 – TYPICAL FORWARD CHARACTERISTIC**



**FIG.3 – PEAK FORWARD SURGE CURRENT**



**FIG.4-FORWARD DERATING CURVE**

