

DESCRIPTION

The SSF4703 uses advanced trench technology to provide excellent $R_{DS(ON)}$ and low gate charge. A Schottky diode is provided to facilitate the implementation of a bidirectional blocking switch, or for DC-DC conversion applications.

GENERAL FEATURES

● MOSFET

- $V_{DS} = -20V, I_D = -3.4A$
- $R_{DS(ON)} < 160m\Omega @ V_{GS} = -1.8V$
- $R_{DS(ON)} < 120m\Omega @ V_{GS} = -2.5V$
- $R_{DS(ON)} < 90m\Omega @ V_{GS} = -4.5V$

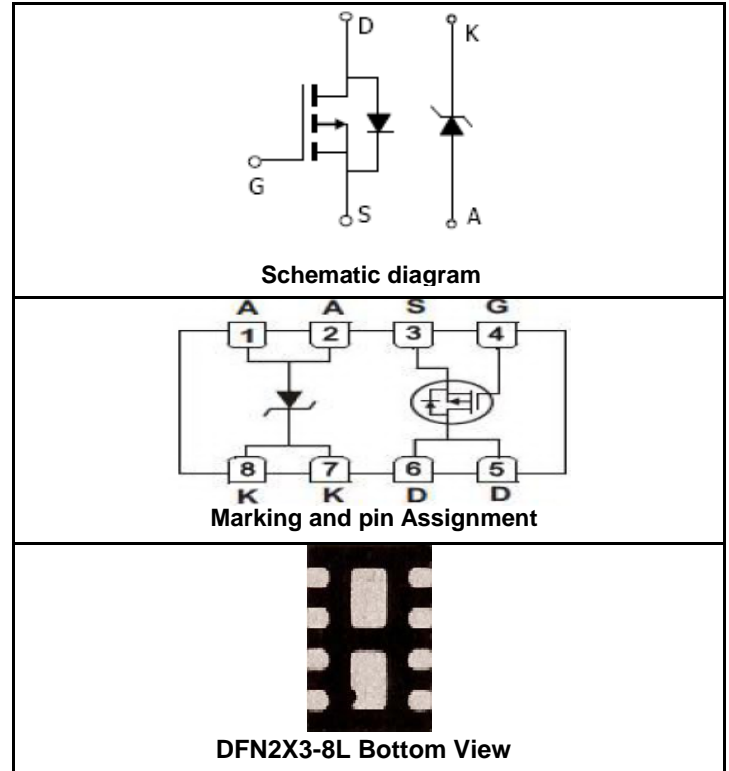
● SCHOTTKY

- $V_R = 20V, I_F = 1A, V_F < 0.5V @ 0.5A$

- High Power and current handling capability
- Lead free product is acquired
- Surface Mount Package

Application

- DC-DC conversion applications
- Load switch
- Power management



PACKAGE MARKING AND ORDERING INFORMATION

Device Marking	Device	Device Package	Reel Size	Tape width	Quantity
4703	SSF4703	DFN2X3-8L	—	—	—

ABSOLUTE MAXIMUM RATINGS(TA=25°C unless otherwise noted)

Parameter	Symbol	MOSFET	Schottky	Unit
Drain-Source Voltage	V_{DS}	-20		V
Gate-Source Voltage	V_{GS}	±8		V
Drain Current-Continuous@ Current-Pulsed (Note 1)	I_D	-3.4		A
	I_{DM}	-15		A
Schottky reverse voltage	V_R		20	V
Continuous Forward Current	I_F		1.9	A
Pulsed Forward Current	I_{FM}		7	A
Maximum Power Dissipation	P_D	1.7	0.96	W
Operating Junction and Storage Temperature Range	T_J, T_{STG}	-55 To 150	-55 To 150	°C

THERMAL CHARACTERISTICS

MOSFET			
Thermal Resistance, Junction-to-Ambient (Note 2)	$R_{\theta JA}$	75	°C/W

Schottky			
Thermal Resistance, Junction-to-Ambient (Note 2)	$R_{\theta JA}$	80	$^{\circ}C/W$

ELECTRICAL CHARACTERISTICS (TA=25°C unless otherwise noted)

Parameter	Symbol	Condition	Min	Typ	Max	Unit
OFF CHARACTERISTICS						
Drain-Source Breakdown Voltage	BV_{DSS}	$V_{GS}=0V, I_D=-250\mu A$	-20			V
Zero Gate Voltage Drain Current	I_{DSS}	$V_{DS}=-16V, V_{GS}=0V$			-1	μA
Gate-Body Leakage Current	I_{GSS}	$V_{GS}=\pm 8V, V_{DS}=0V$			± 100	nA
ON CHARACTERISTICS (Note 3)						
Gate Threshold Voltage	$V_{GS(th)}$	$V_{DS}=V_{GS}, I_D=-250\mu A$	-0.45	-0.7	-1	V
Static Drain-Source On-Resistance	$R_{DS(on)}$	$V_{GS}=-4.5V, I_D=-3.4A$		73	90	m Ω
		$V_{GS}=-2.5V, I_D=-2.5A$		99	120	
		$V_{GS}=-1.8V, I_D=-1.5A$		133	160	
Forward Transconductance	g_{FS}	$V_{DS}=-5V, I_D=-3.4A$	4	7		S
DYNAMIC CHARACTERISTICS (Note4)						
Input Capacitance	C_{iss}	$V_{DS}=-10V, V_{GS}=0V, F=1.0MHz$		540		PF
Output Capacitance	C_{oss}			70		PF
Reverse Transfer Capacitance	C_{rss}			50		PF
SWITCHING CHARACTERISTICS (Note 4)						
Turn-on Delay Time	$t_{d(on)}$	$V_{DD}=-10V, I_D=-3.4A, V_{GS}=-4.5V, R_{GEN}=3\Omega$		10		nS
Turn-on Rise Time	t_r			12		nS
Turn-Off Delay Time	$t_{d(off)}$			44		nS
Turn-Off Fall Time	t_f			22		nS
Total Gate Charge	Q_g	$V_{DS}=-10V, I_D=-3.4A, V_{GS}=-4.5V$		6.1		nC
Gate-Source Charge	Q_{gs}			0.6		nC
Gate-Drain Charge	Q_{gd}			1.6		nC
DRAIN-SOURCE DIODE CHARACTERISTICS						
Diode Forward Voltage (Note 3)	V_{SD}	$V_{GS}=0V, I_S=-1A$		-0.83	-1	V
Diode Forward Current (Note 2)	I_S				-2	A
SCHOTTKY PARAMETERS						
Forward Voltage Drop	V_F	$I_F=0.5A$		0.39	0.5	V
Maximum reverse leakage current	I_{rm}	$V_R=16V$			0.1	mA
Junction Capacitance	C_T	$V_R=10V$		34		pF
Schottky Reverse Recovery Time	t_{rr}	$I_F=1A, dI/dt=100A/\mu s$		5.2	10	ns
Schottky Reverse Recovery Charge	Q_{rr}	$I_F=1A, dI/dt=100A/\mu s$		0.8		nC

NOTES:

1. Repetitive Rating: Pulse width limited by maximum junction temperature.
2. Surface Mounted on FR4 Board, $t \leq 10$ sec.
3. Pulse Test: Pulse Width $\leq 300\mu s$, Duty Cycle $\leq 2\%$.
4. Guaranteed by design, not subject to production testing.

TYPICAL ELECTRICAL AND THERMAL CHARACTERISTICS

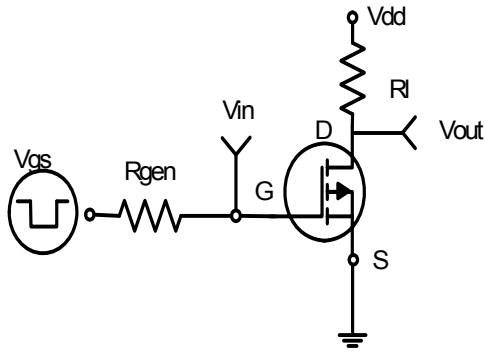


Figure1:Switching Test Circuit

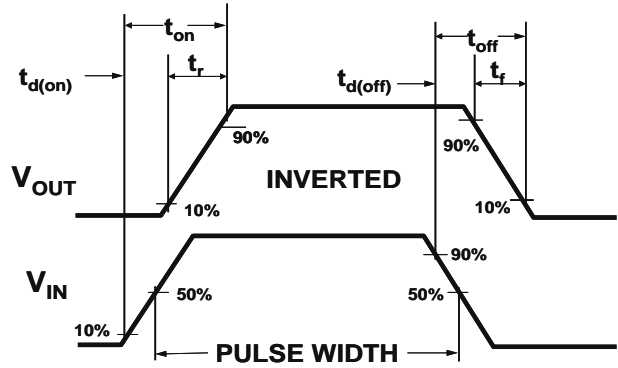


Figure 2:Switching Waveforms

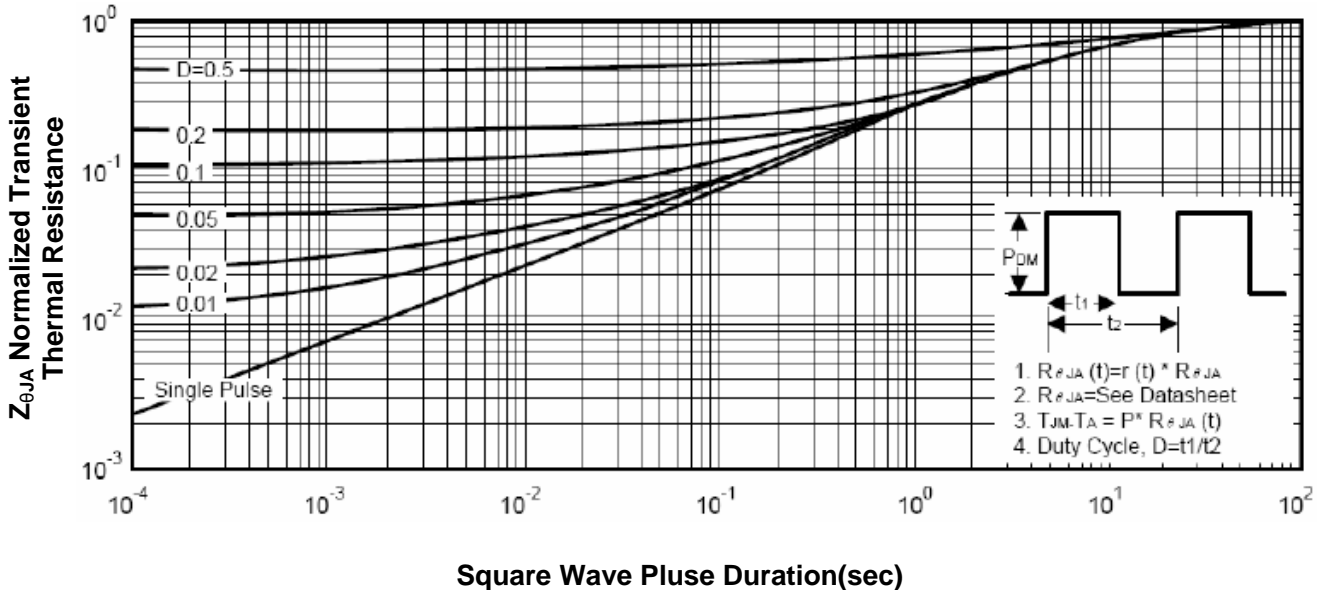
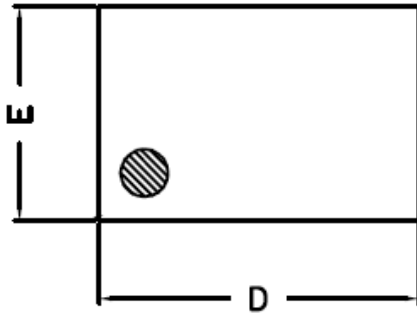


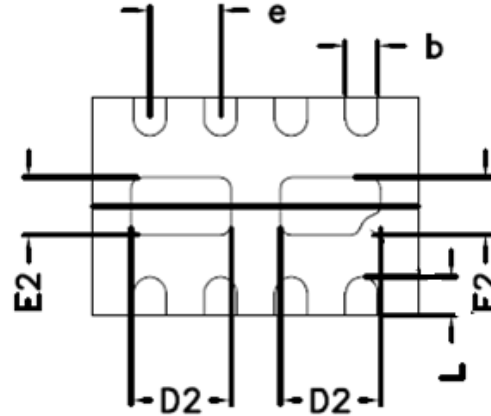
Figure 3: Normalized Maximum Transient Thermal Impedanc

DFN2X3-8L PACKAGE INFORMATION

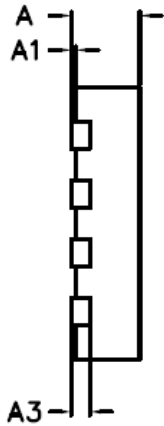
Dimensions in Millimeters (UNIT:mm)



Top View



Bottom View



Side View

COMMON DIMENSIONS(MM)

PKG.	W:VERY VERY THIN		
REF.	MIN.	NOM.	MAX.
A	0.70	0.75	0.80
A1	0.00	—	0.05
A3	0.2 REF.		
D	2.95	3.00	3.05
E	1.95	2.00	2.05
b	0.25	0.30	0.35
L	0.25	0.35	0.45
D2	0.77	0.92	1.02
E2	0.38	0.53	0.63
e	0.65 BCS.		

NOTES:

1. All dimensions are in millimeters.
2. Tolerance $\pm 0.10\text{mm}$ (4 mil) unless otherwise specified
3. Package body sizes exclude mold flash and gate burrs. Mold flash at the non-lead sides should be less than 5 mils.
4. Dimension L is measured in gauge plane.
5. Controlling dimension is millimeter, converted inch dimensions are not necessarily exact.

ATTENTION:

- Any and all Silikron products described or contained herein do not have specifications that can handle applications that require extremely high levels of reliability, such as life-support systems, aircraft's control systems, or other applications whose failure can be reasonably expected to result in serious physical and/or material damage. Consult with your Silikron representative nearest you before using any Silikron products described or contained herein in such applications.
- Silikron assumes no responsibility for equipment failures that result from using products at values that exceed, even momentarily, rated values (such as maximum ratings, operating condition ranges, or other parameters) listed in products specifications of any and all Silikron products described or contained herein.
- Specifications of any and all Silikron products described or contained herein stipulate the performance, characteristics, and functions of the described products in the independent state, and are not guarantees of the performance, characteristics, and functions of the described products as mounted in the customer's products or equipment. To verify symptoms and states that cannot be evaluated in an independent device, the customer should always evaluate and test devices mounted in the customer's products or equipment.
- Silikron Semiconductor CO.,LTD. strives to supply high-quality high-reliability products. However, any and all semiconductor products fail with some probability. It is possible that these probabilistic failures could give rise to accidents or events that could endanger human lives, that could give rise to smoke or fire, or that could cause damage to other property. When designing equipment, adopt safety measures so that these kinds of accidents or events cannot occur. Such measures include but are not limited to protective circuits and error prevention circuits for safe design, redundant design, and structural design.
- In the event that any or all Silikron products(including technical data, services) described or contained herein are controlled under any of applicable local export control laws and regulations, such products must not be exported without obtaining the export license from the authorities concerned in accordance with the above law.
- No part of this publication may be reproduced or transmitted in any form or by any means, electronic or mechanical, including photocopying and recording, or any information storage or retrieval system, or otherwise, without the prior written permission of Silikron Semiconductor CO.,LTD.
- Information (including circuit diagrams and circuit parameters) herein is for example only ; it is not guaranteed for volume production. Silikron believes information herein is accurate and reliable, but no guarantees are made or implied regarding its use or any infringements of intellectual property rights or other rights of third parties.
- Any and all information described or contained herein are subject to change without notice due to product/technology improvement, etc. When designing equipment, refer to the "Delivery Specification" for the Silikron product that you intend to use.
- This catalog provides information as of Dec, 2008. Specifications and information herein are subject to change without notice.