

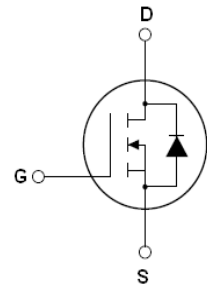
### Features:

- Advanced trench process technology
- Special designed for Convertors and power controls
- High density cell design for ultra low Rdson
- Fully characterized Avalanche voltage and current
- Avalanche Energy 100% test

**ID=200A**

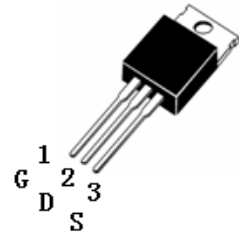
**BV=40V**

**Rdson=4 mΩ (max.)**



### Description:

The SSF4004 is a new generation of high voltage and low current N-Channel enhancement mode trench power MOSFET. This new technology increases the device reliability and electrical parameter repeatability. SSF4004 is assembled in high reliability and qualified assembly house.



**SSF4004 TOP View (TO220)**

### Application:

- Power switching application
- Commercial-industrial application

### Absolute Maximum Ratings

	Parameter	Max.	Units
$I_D@T_c=25\text{ }^\circ\text{C}$	Continuous drain current, VGS@10V	200	A
$I_D@T_c=100\text{ }^\circ\text{C}$	Continuous drain current, VGS@10V	140	
$I_{DM}$	Pulsed drain current ①	800	
$P_D@T_c=25\text{ }^\circ\text{C}$	Power dissipation	238	W
	Linear derating factor	2.0	W/ C
$V_{GS}$	Gate-to-Source voltage	±20	V
dv/dt	Peak diode recovery voltage	31	v/ns
$E_{AS}$	Single pulse avalanche energy ②	520	mJ
$E_{AR}$	Repetitive avalanche energy	TBD	
$T_J$ $T_{STG}$	Operating Junction and Storage Temperature Range	-55 to +175	°C

### Thermal Resistance

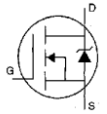
	Parameter	Min.	Typ.	Max.	Units
$R_{\theta JC}$	Junction-to-case	—	0.63	—	°C/W
$R_{\theta JA}$	Junction-to-ambient	—	—	62	

### Electrical Characteristics @TJ=25 °C (unless otherwise specified)

	Parameter	Min.	Typ.	Max.	Units	Test Conditions
$BV_{DSS}$	Drain-to-Source breakdown voltage	40	—	—	V	$V_{GS}=0V, I_D=250\mu A$
$R_{DS(on)}$	Static Drain-to-Source on-resistance	—	3.5	4	mΩ	$V_{GS}=10V, I_D=30A$
$V_{GS(th)}$	Gate threshold voltage	2.0	—	4.0	V	$V_{DS}=V_{GS}, I_D=250\mu A$
$I_{DSS}$	Drain-to-Source leakage current	—	—	2	uA	$V_{DS}=40V, V_{GS}=0V$
		—	—	10		$V_{DS}=40V, V_{GS}=0V, T_J=150\text{ }^\circ\text{C}$
$I_{GSS}$	Gate-to-Source forward leakage	—	—	100	nA	$V_{GS}=20V$
	Gate-to-Source reverse leakage	—	—	-100		$V_{GS}=-20V$

$Q_g$	Total gate charge	—	90	—	nC	$I_D=30A$ $V_{DD}=30V$ $V_{GS}=10V$
$Q_{gs}$	Gate-to-Source charge	—	14	—		
$Q_{gd}$	Gate-to-Drain("Miller") charge	—	24	—		
$t_{d(on)}$	Turn-on delay time	—	18.2	—	nS	$V_{DD}=30V$ $I_D=2A, R_L=15\Omega$ $R_G=2.5\Omega$ $V_{GS}=10V$
$t_r$	Rise time	—	15.6	—		
$t_{d(off)}$	Turn-Off delay time	—	70.5	—		
$t_f$	Fall time	—	13.8	—		
$C_{iss}$	Input capacitance	—	3150	—	pF	$V_{GS}=0V$ $V_{DS}=25V$ $f=1.0MHZ$
$C_{oss}$	Output capacitance	—	300	—		
$C_{rss}$	Reverse transfer capacitance	—	240	—		

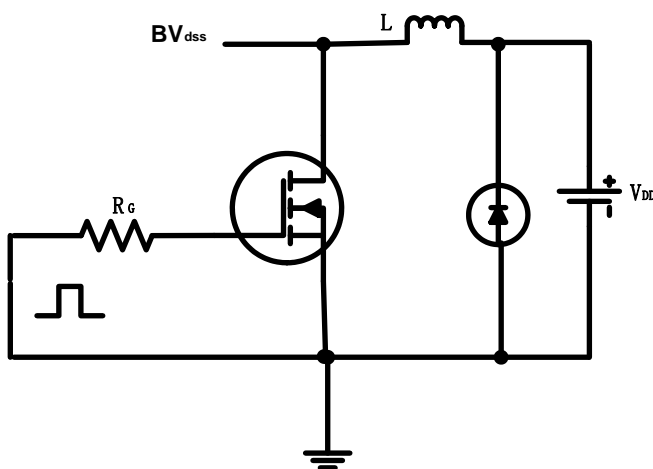
### Source-Drain Ratings and Characteristics

	Parameter	Min.	Typ.	Max.	Units	Test Conditions
$I_S$	Continuous Source Current. (Body Diode)	—	—	200	A	MOSFET symbol showing the integral reverse p-n junction diode. 
$I_{SM}$	Pulsed Source Current (Body Diode) ①	—	—	800		
$V_{SD}$	Diode Forward Voltage	—	—	1.3	V	$T_J=25^\circ C, I_S=30A, V_{GS}=0V$ ③
$t_{rr}$	Reverse Recovery Time	—	57	—	nS	$T_J=25^\circ C, I_F=57A$
$Q_{rr}$	Reverse Recovery Charge	—	107	—	$\mu C$	$di/dt=100A/\mu s$ ③
$t_{on}$	Forward Turn-on Time	Intrinsic turn-on time is negligible (turn-on is dominated by $L_S + L_D$ )				

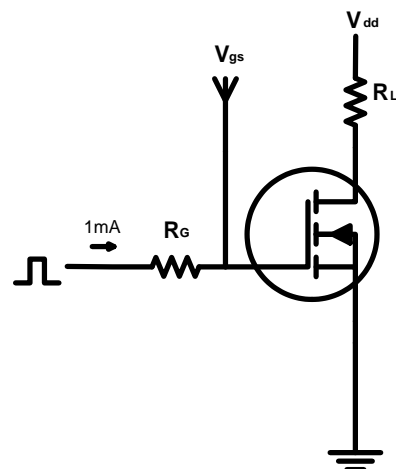
#### Notes:

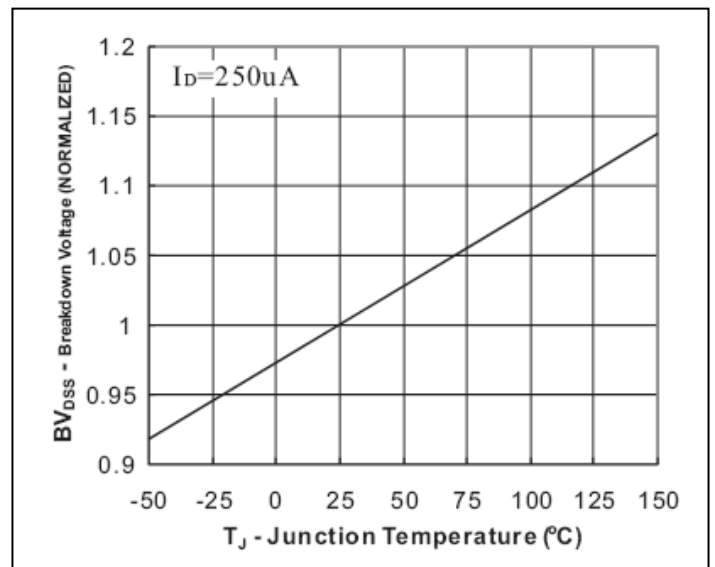
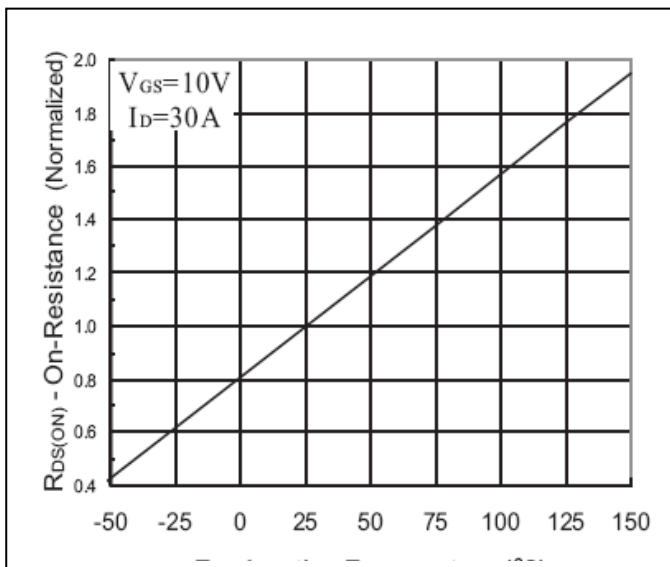
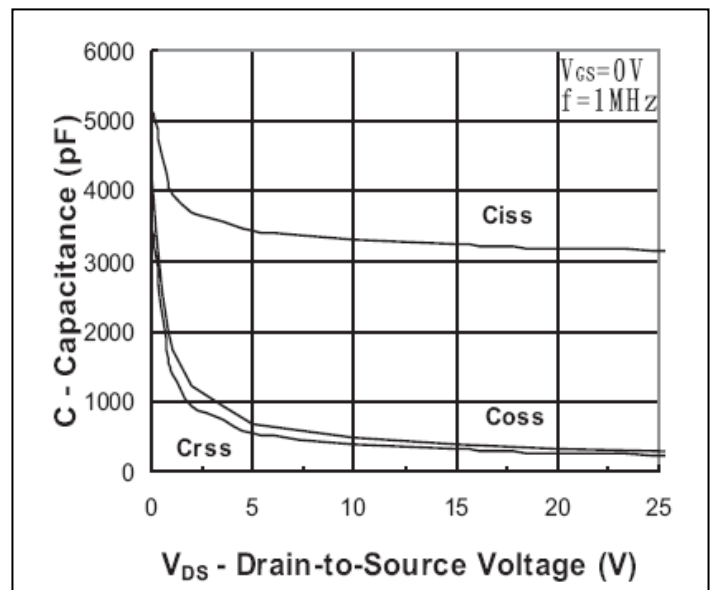
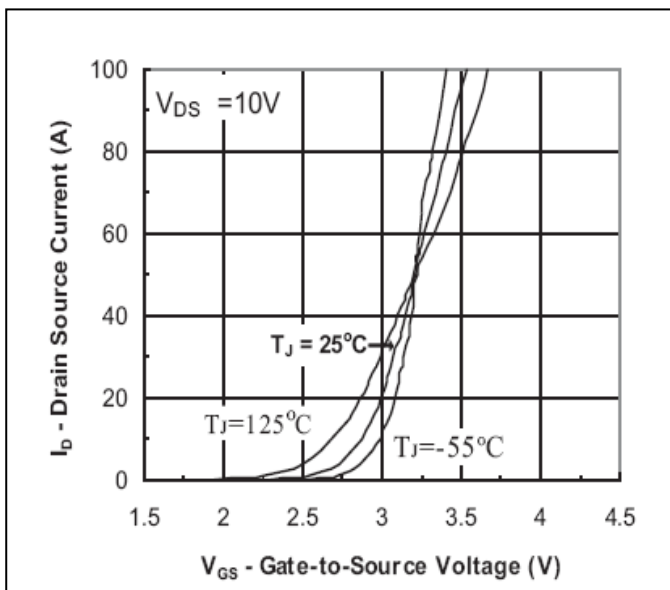
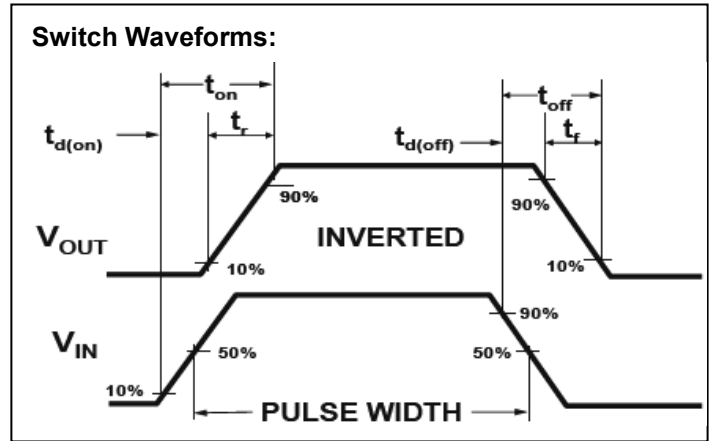
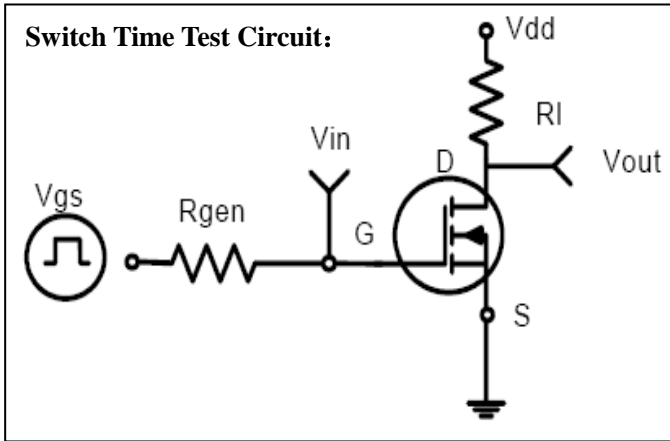
- ① Repetitive rating; pulse width limited by max junction temperature.
- ② Test condition:  $L = 0.3mH, I_D = 57A, V_{DD} = 20V$
- ③ Pulse width  $\leq 300\mu s$ ; duty cycle  $\leq 1.5\%$   $R_G = 25\Omega$  Starting  $T_J = 25^\circ C$

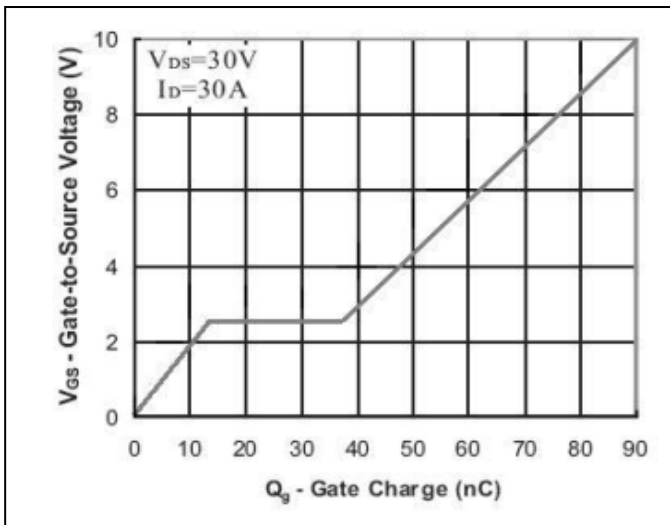
#### EAS test circuits:



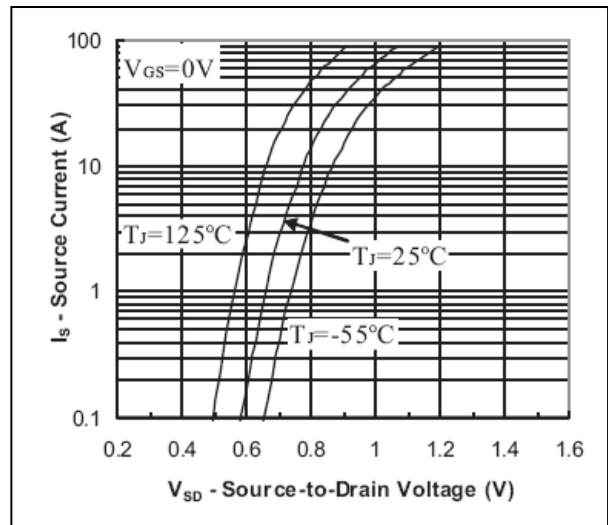
#### Gate charge test circuit:



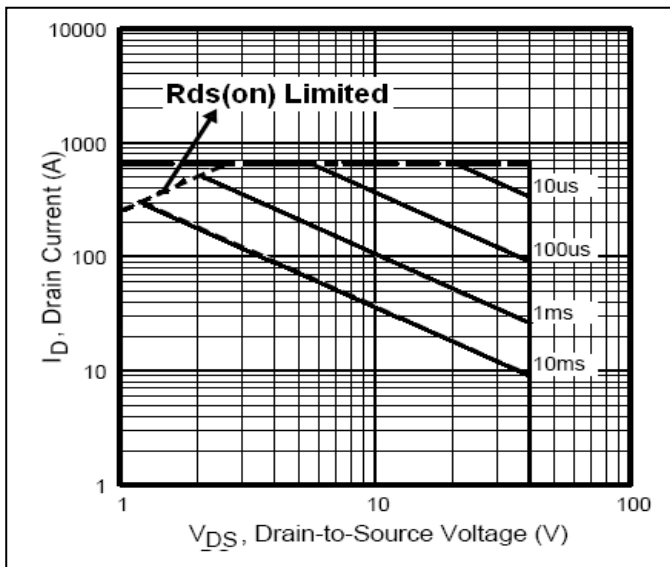




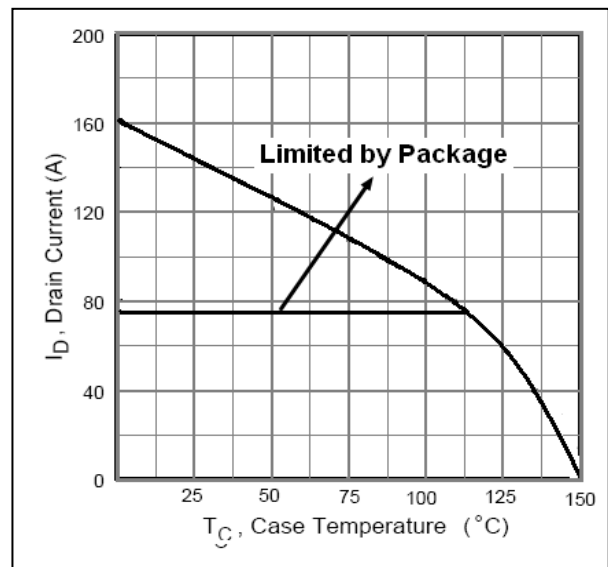
**Gate Charge**



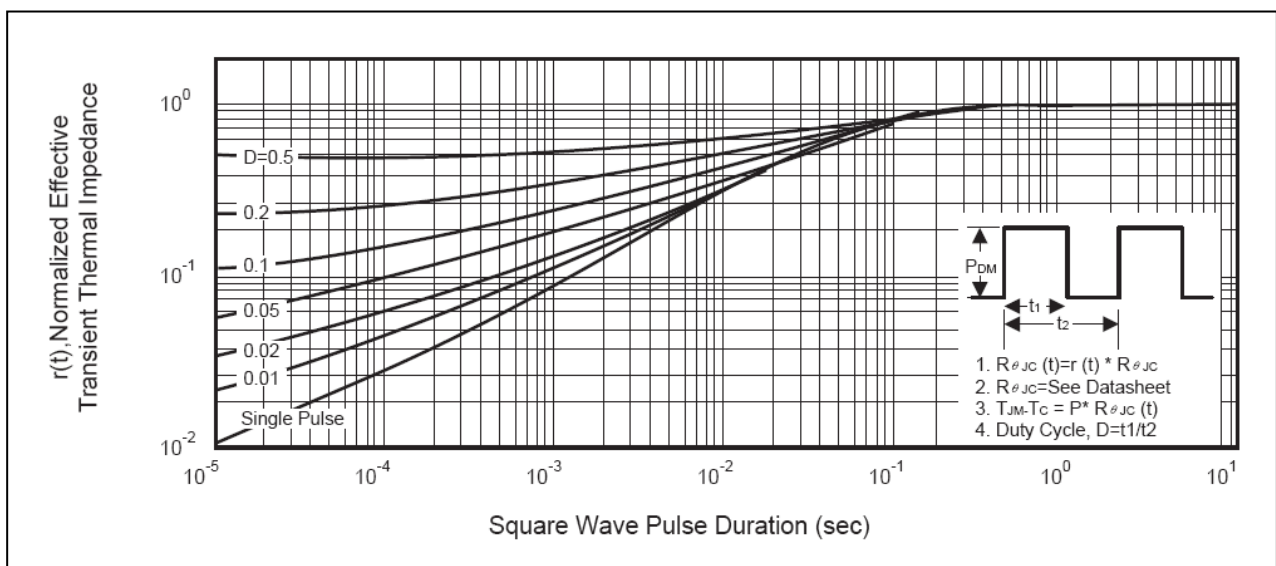
**Source-Drain Diode Forward Voltage**



**Safe Operation Area**

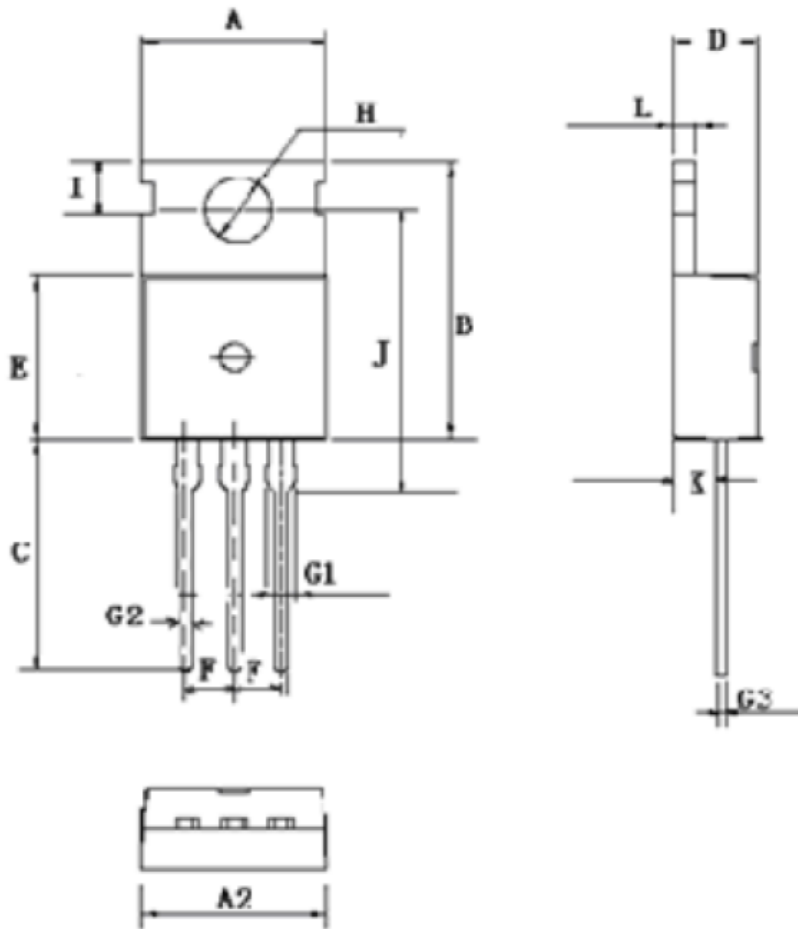


**Max Drain Current vs. Junction Temperature**



**Transient Thermal Impedance Curve**

TO220 MECHANICAL DATA:



TO-220 3L

图形对应符号	产品外形尺寸
A(mm)	9.66~10.28
A2(mm)	9.80~10.20
B(mm)	15.6~15.8
C(mm)	12.70~14.27
D(mm)	4.30~4.70
E(mm)	8.59~9.40
F(mm)	2.54 (nom)
G1(mm)	1.42~1.62
G2(mm)	0.70~0.95
G3(mm)	0.45~0.60
H(mm) dia.	3.50~3.70
I(mm)	2.7~2.9
J(mm)	15.70~16.25
K(mm)	2.20~2.90
L(mm)	1.15~1.40
M(mm)	0.5