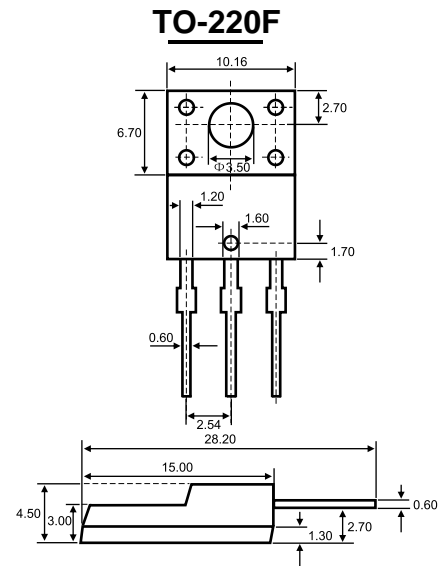


1. BASE
2. COLLECTOR
3. EMITTE

Features

- ◇ Complementary to 3CA1837
- ◇ Collector Power Dissipation
 $P_{CM} : 2W (T_{amb}=25^{\circ}C)$
 $20 W (T_{case}=25^{\circ}C)$



Dimensions in inches and (millimeters)

MAXIMUM RATINGS ($T_A=25^{\circ}C$ unless otherwise noted)

Symbol	Parameter	Value	Units
V_{CBO}	Collector-Base Voltage	230	V
V_{CEO}	Collector-Emitter Voltage	230	V
V_{EBO}	Emitter-Base Voltage	5	V
I_C	Collector Current -Continuous	1000	mA
I_B	Base Current	100	mA
T_J	Junction Temperature	150	$^{\circ}C$
T_{stg}	Storage Temperature	-55-150	$^{\circ}C$

ELECTRICAL CHARACTERISTICS ($T_{amb}=25^{\circ}C$ unless otherwise specified)

Parameter	Symbol	Test conditions	MIN	TYP	MAX	UNIT
Collector-base breakdown voltage	$V_{(BR)CBO}$	$I_C=0.1mA, I_E=0$	230			V
Collector-emitter breakdown voltage	$V_{(BR)CEO}$	$I_C=1mA, I_B=0$	230			V
Emitter-base breakdown voltage	$V_{(BR)EBO}$	$I_E=100\mu A, I_C=0$	5			V
Collector cut-off current	I_{CBO}	$V_{CB}=230V, I_E=0$			10	μA
Emitter cut-off current	I_{EBO}	$V_{EB}=5V, I_C=0$			10	μA
DC current gain	h_{FE}	$V_{CE}=5V, I_C=100mA$	100		320	
Collector-emitter saturation voltage	$V_{CE(sat)}$	$I_C=500mA, I_B=50mA$			1.5	V
Transition frequency	f_T	$V_{CE}=10V, I_C=100mA$	30			MHz

Typical Characteristics

