

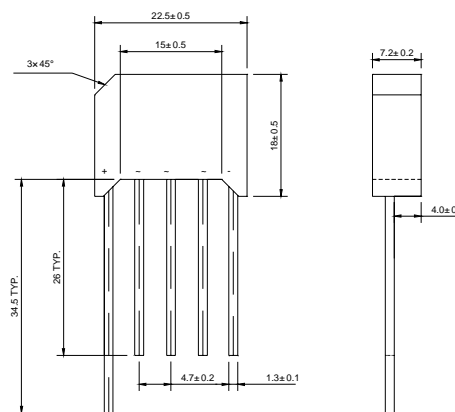
SKBL25-005--SKBL25-16

Three-Phase Silicon Bridges

VOLTAGE RANGE: 50 -- 1600 V

CURRENT: 25.0 A

SKBL



Dimensions in millimeters

Features

- ◇ Rating to 1600 V
- ◇ Low forward voltage drop
- ◇ Small size, simple installation
- ◇ Tinned copper leads
- ◇ Mounting: Thru hole for #6 screw

MAXIMUM RATINGS AND ELECTRICAL CHARACTERISTICS

Ratings at 25°C ambient temperature unless otherwise specified.

		SKBL25										UNITS
		- 005	- 01	- 02	- 04	- 06	- 08	- 10	- 12	- 14	- 16	
Maximum recurrent peak reverse voltage	V_{RRM}	50	100	200	400	600	800	1000	1200	1400	1600	V
Maximum RMS voltage	V_{RMS}	35	70	140	280	420	560	700	840	980	1120	V
Maximum DC blocking voltage	V_{DC}	50	100	200	400	600	800	1000	1200	1400	1600	V
Maximum average forward rectified output current @ $T_A=50^\circ C$	$I_{(AV)}$	25.0										A
Peak forward surge current 8.3ms single half-sine-wave	I_{FSM}	350										A
Maximum forward voltage drop per element at 8.0 A peak	V_F	1.05										V
Maximum reverse current @ $T_A=25^\circ C$ at rated DC blocking voltage per element @ $T_A=100^\circ C$	I_R	10										μA
		1.0										mA
Thermal resistance junction to case	$R_{\theta JC}$	3.3										K/W
Operating temperature range	T_j	- 55 --- + 125										°C
Storage temperature range	T_{STG}	- 55 --- + 150										°C