

# SKBL15-005--SKBL15-16

Three-Phase Silicon Bridges

**VOLTAGE RANGE: 50 -- 1000 V**

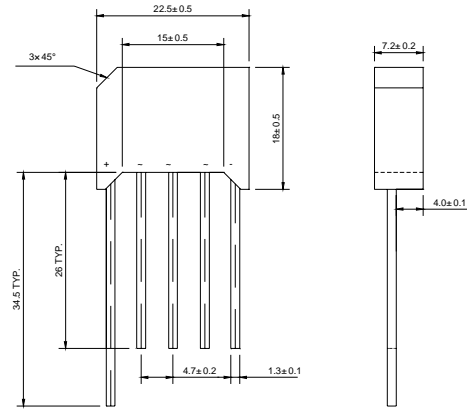
**CURRENT: 15.0 A**

## SKBL



### Features

- ◇ Rating to 1600 V
- ◇ Low forward voltage drop
- ◇ Small size, simple installation
- ◇ Tinned copper leads
- ◇ Mounting: Thru hole for #6 screw



Dimensions in millimeters

### MAXIMUM RATINGS AND ELECTRICAL CHARACTERISTICS

Ratings at 25°C ambient temperature unless otherwise specified.

		SKBL15										UNITS
		- 005	- 01	- 02	- 04	- 06	- 08	- 10	- 12	- 14	- 16	
Maximum recurrent peak reverse voltage	$V_{RRM}$	50	100	200	400	600	800	1000	1200	1400	1600	V
Maximum RMS voltage	$V_{RMS}$	35	70	140	280	420	560	700	840	980	1120	V
Maximum DC blocking voltage	$V_{DC}$	50	100	200	400	600	800	1000	1200	1400	1600	V
Maximum average forward rectified output current @ $T_A=50^\circ\text{C}$	$I_{(AV)}$	15.0										A
Peak forward surge current 8.3ms single half-sine-wave	$I_{FSM}$	250										A
Maximum forward voltage drop per element at 5.0 A peak	$V_F$	1.05										V
Maximum reverse current @ $T_A=25^\circ\text{C}$ at rated DC blocking voltage per element @ $T_A=100^\circ\text{C}$	$I_R$	10										$\mu\text{A}$
		1.0										mA
Thermal resistance junction to case	$R_{\theta JC}$	3.3										K/W
Operating temperature range	$T_j$	- 55 --- + 125										°C
Storage temperature range	$T_{STG}$	- 55 --- + 150										°C