

SGBPC50005-SGBPC5016

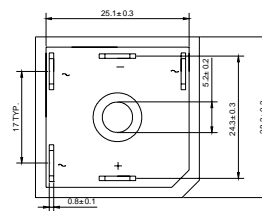
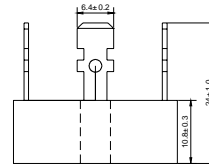
Three-Phase Silicon Bridges

VOLTAGE RANGE: 50 --- 1600 V

CURRENT: 50 A



SKBPC



Dimensions in millimeters

Features

- ◇ Rating to 1600 V PRV
- ◇ Surge overload rating to 500 Amperes peak
- ◇ Ideal for printed circuit board
- ◇ Reliable low cost construction utilizing molded plastic technique results in inexpensive product
- ◇ Lead solderable per MIL-STD-202 method 208
- ◇ High case dielectric with standing voltage of 2000 V_{RMS}

MAXIMUM RATINGS AND ELECTRICAL CHARACTERISTICS

Ratings at 25°C ambient temperature unless otherwise specified.

		SKBPC 50005	SKBPC 5001	SKBPC 5002	SKBPC 5004	SKBPC 5006	SKBPC 5008	SKBPC 5010	SKBPC 5012	SKBPC 5014	SKBPC 5016	UNITS
Maximum recurrent peak reverse voltage	V _{RRM}	50	100	200	400	600	800	1000	1200	1400	1600	V
Maximum RMS voltage	V _{RMS}	35	70	140	280	420	560	700	840	980	1120	V
Maximum DC blocking voltage	V _{DC}	50	100	200	400	600	800	1000	1200	1400	1600	V
Maximum average forward Output current @ T _A =25°C	I _{F(AV)}	50										A
Peak forward surge current 8.3ms single half-sine-wave superimposed on rated load	I _{FSM}	500.0										A
Maximum instantaneous forward voltage @ 17.0 A	V _F	1.19										V
Maximum reverse current @ T _A =25°C at rated DC blocking voltage @ T _A =100°C	I _R	10.0 5.0										μA mA
Thermal resistance junction to case at DC Operation per bridge	R _{JC}	1.16										K/W
Thermal resistance case to heatsink mounting surface, smooth, flat and greed	R _{CS}	0.2										K/W
Operating junction temperature range	T _J	- 40 ---- + 150										°C
Storage temperature range	T _{STG}	- 40 ---- + 150										°C

Ratings AND Characteristic Curves

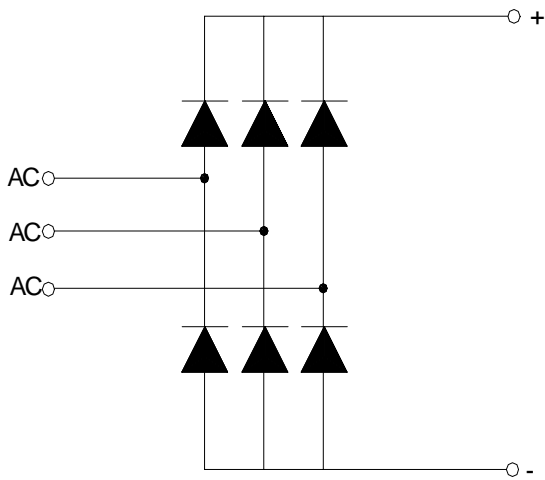


FIG.1 -- FORWARD DERATING CURVE

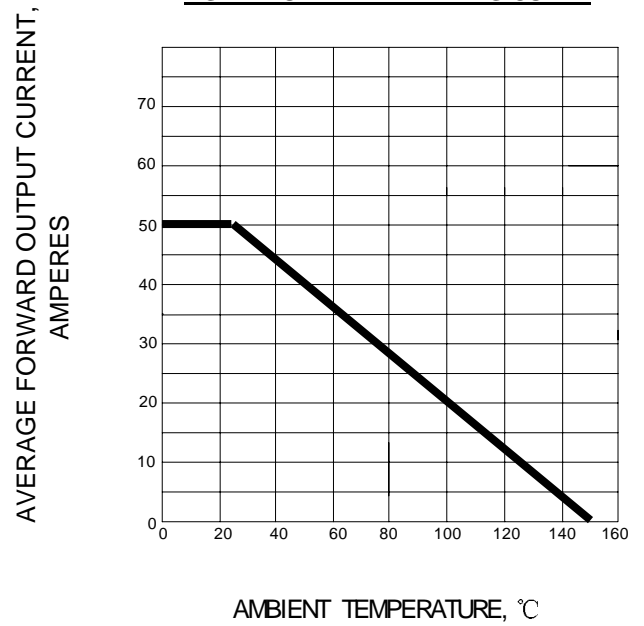


FIG.2 -- TYPICAL FORWARD CHARACTERISTIC

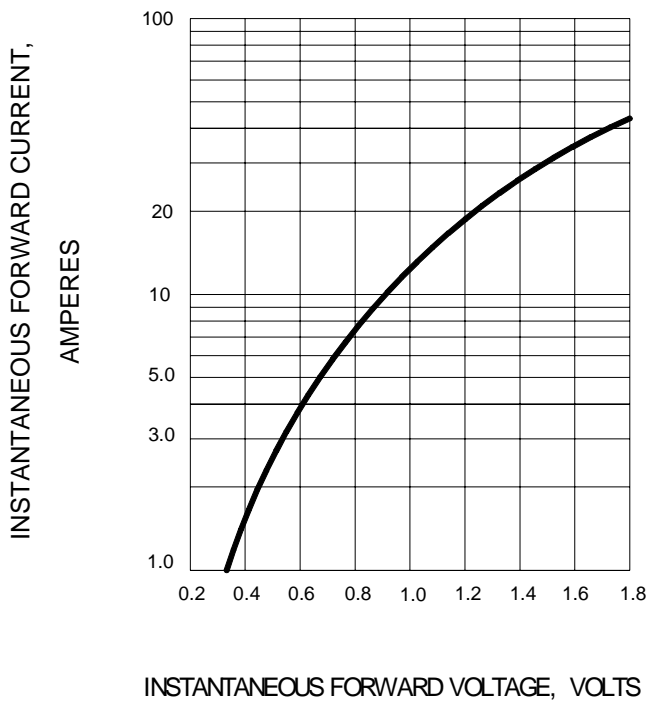


FIG.3-- TYPICAL REVERSE CHARACTERISTIC

