

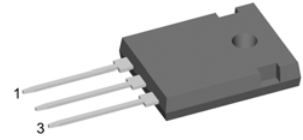
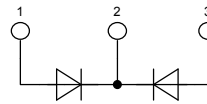
HiPerFRED²

High Performance Fast Recovery Diode
 Low Loss and Soft Recovery
 Common Cathode

$V_{RRM} = 200\text{ V}$
 $I_{FAV} = 2 \times 40\text{ A}$
 $t_{rr} = 35\text{ ns}$

Part number

DPF 80 C 200 HB



Backside: cathode

Features / Advantages:

- Planar passivated chips
- Very low leakage current
- Very short recovery time
- Improved thermal behaviour
- Very low I_{RM} -values
- Very soft recovery behaviour
- Avalanche voltage rated for reliable operation
- Soft reverse recovery for low EMI/RFI
- Low I_{RM} reduces:
 - Power dissipation within the diode
 - Turn-on loss in the commutating switch

Applications:

- Antiparallel diode for high frequency switching devices
- Antisaturation diode
- Snubber diode
- Free wheeling diode
- Rectifiers in switch mode power supplies (SMPS)
- Uninterruptible power supplies (UPS)

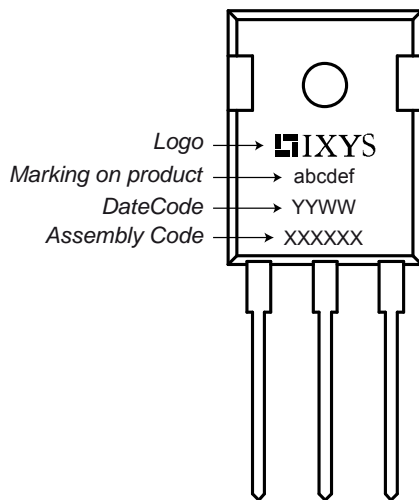
Package:

- Housing: TO-247
- Industry standard outline
- Epoxy meets UL 94V-0
- RoHS compliant

Symbol	Definition	Conditions	Ratings			Unit
			min.	typ.	max.	
V_{RRM}	max. repetitive reverse voltage				200	V
I_R	reverse current	$V_R = 200\text{ V}$			1	μA
		$V_R = 200\text{ V}$			0.2	mA
V_F	forward voltage	$I_F = 40\text{ A}$			1.22	V
		$I_F = 80\text{ A}$			1.45	V
		$I_F = 40\text{ A}$			0.95	V
		$I_F = 80\text{ A}$			1.20	V
I_{FAV}	average forward current	rectangular d = 0.5			40	A
V_{FO}	threshold voltage	} for power loss calculation only			0.67	V
r_F	slope resistance				5.8	m Ω
R_{thJC}	thermal resistance junction to case				0.70	K/W
T_{VJ}	virtual junction temperature		-55		175	$^{\circ}\text{C}$
P_{tot}	total power dissipation				215	W
I_{FSM}	max. forward surge current	t = 10 ms (50 Hz), sine			560	A
I_{RM}	max. reverse recovery current				4	A
		$I_F = 50\text{ A}; V_R = 100\text{ V}$			tbd	A
t_{rr}	reverse recovery time	-di _F /dt = 100 A/ μs			35	ns
					tbd	ns
C_J	junction capacitance	$V_R = 100\text{ V}; f = 1\text{ MHz}$			81	pF

Symbol	Definition	Conditions	Ratings			Unit
			min.	typ.	max.	
I_{RMS}	RMS current	per pin ¹⁾			70	A
R_{thCH}	thermal resistance case to heatsink			0.25		K/W
T_{stg}	storage temperature		-55		150	°C
Weight				6		g
M_D	mounting torque		0.8		1.2	Nm
F_C	mounting force with clip		20		120	N

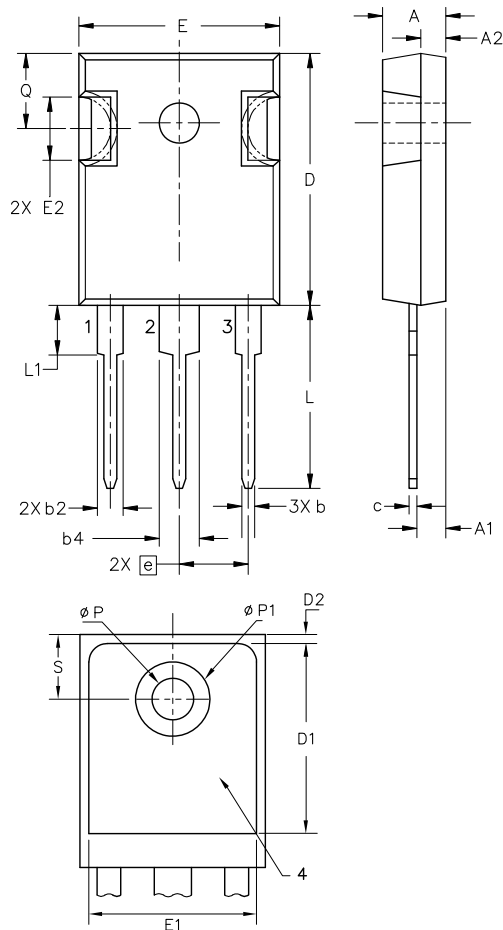
¹⁾ I_{RMS} is typically limited by: 1. pin-to-chip resistance; or by 2. current capability of the chip.
 In case of 1, a common cathode/anode configuration and a non-isolated backside, the whole current capability can be used by connecting the backside.

Product Marking

Part number

D = Diode
 P = HiPerFRED
 F = ultra fast
 80 = Current Rating [A]
 C = Common Cathode
 200 = Reverse Voltage [V]
 HB = TO-247AD (3)

Ordering	Part Name	Marking on Product	Delivering Mode	Base Qty	Code Key
Standard	DPF 80 C 200 HB	DPF80C200HB	Tube	30	508214

Similar Part	Package	Voltage Class
DPF60C200HJ	ISOPLUS247 (3)	200

Outlines TO-247


Sym.	Inches		Millimeter	
	min.	max.	min.	max.
A	0.185	0.209	4.70	5.30
A1	0.087	0.102	2.21	2.59
A2	0.059	0.098	1.50	2.49
D	0.819	0.845	20.79	21.45
E	0.610	0.640	15.48	16.24
E2	0.170	0.216	4.31	5.48
e	0.215 BSC		5.46 BSC	
L	0.780	0.800	19.80	20.30
L1	-	0.177	-	4.49
Ø P	0.140	0.144	3.55	3.65
Q	0.212	0.244	5.38	6.19
S	0.242 BSC		6.14 BSC	
b	0.039	0.055	0.99	1.40
b2	0.065	0.094	1.65	2.39
b4	0.102	0.135	2.59	3.43
c	0.015	0.035	0.38	0.89
D1	0.515	-	13.07	-
D2	0.020	0.053	0.51	1.35
E1	0.530	-	13.45	-
Ø P1	-	0.29	-	7.39