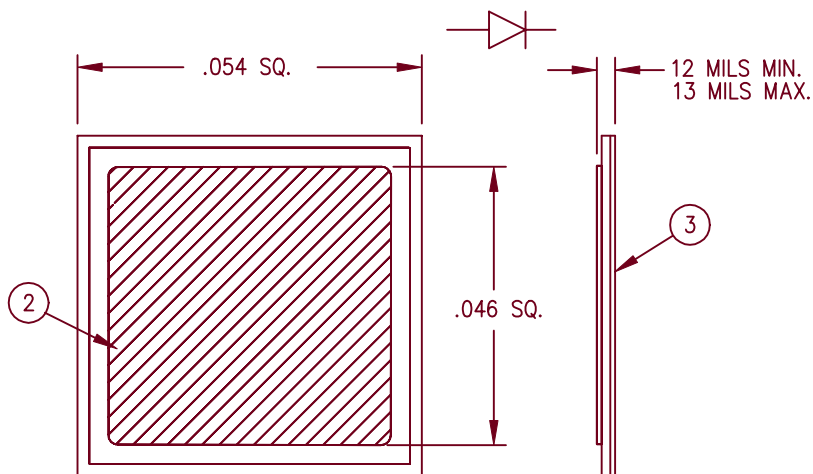


# 2 Amp Schottky Rectifier Die CH054S



1. Lot Acceptance testing per customer specifications. Contact factory.  
MIL-PRF-19500 class K equivalent available upon request.

- ② Anode
- ③ Cathode

- Schottky Barrier Rectifier
- Guard Ring Protected
- Low Forward Voltage
- Voltages up to 100V
- LAT testing available (note 1)
- Cells with moly discs available

## Electrical Characteristics

	<u>Reverse Voltage</u>	<u>Max. T<sub>J</sub></u>	<u>Typ. V<sub>f</sub> @ 2A</u>
CH054S0050*	50	150°C	0.58V
CH054S0060*	60	150°C	0.63V
CH054S0100*	100	175°C	0.84V

\* Standard contact metal is Silver. Aluminum anode metal is available on request.  
Contact factory to specify non-standard contact metal.

## Thermal and Mechanical Characteristics

Max. Allowable Storage Temperature	-55°C to 175°C
Typical thermal resistance	15-22°C/Watt
Surge current at max T <sub>J</sub>	100A @ 8.3ms half sine

NOTE: Thermal resistance (R<sub>ΘJC</sub>), forward voltage drop, and surge current (I<sub>TSM</sub>) ratings are heavily dependent on die to heat sink assembly methods.

7-30-01 Rev. IR