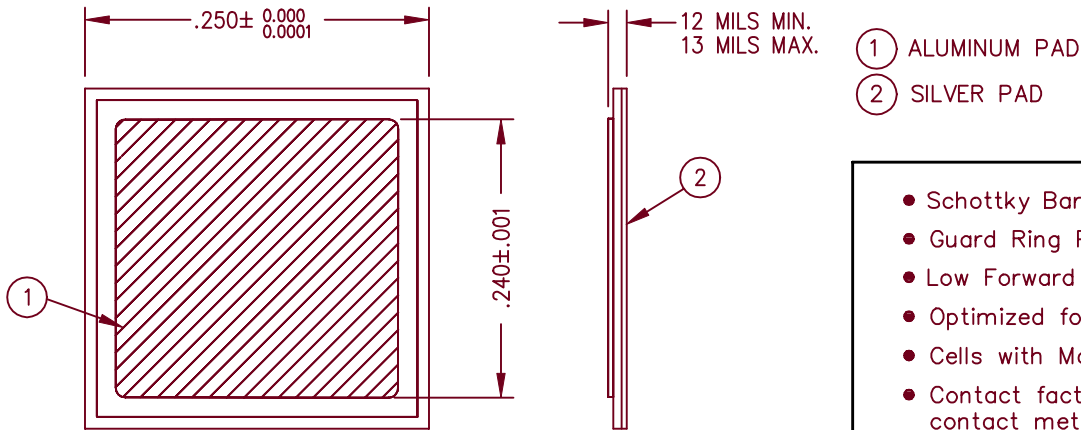


Schottky Rectifier FET Protection Die CH250S0080



- Schottky Barrier Rectifier
- Guard Ring Protected
- Low Forward Voltage
- Optimized for 42V Bus Operation
- Cells with Moly discs available
- Contact factory for Non-Standard contact metal

Electrical Characteristics (Properly Packaged)

Max peak forward voltage	V_{FM} .91 Volts	$I_{FM} = 100A; T_J = 25^\circ C^*$
Max peak reverse current	I_{RM} 100 μA	80V, $T_J = 25^\circ C$
Max peak reverse current	I_{RM} 45 mA	80V, $T_J = 125^\circ C$

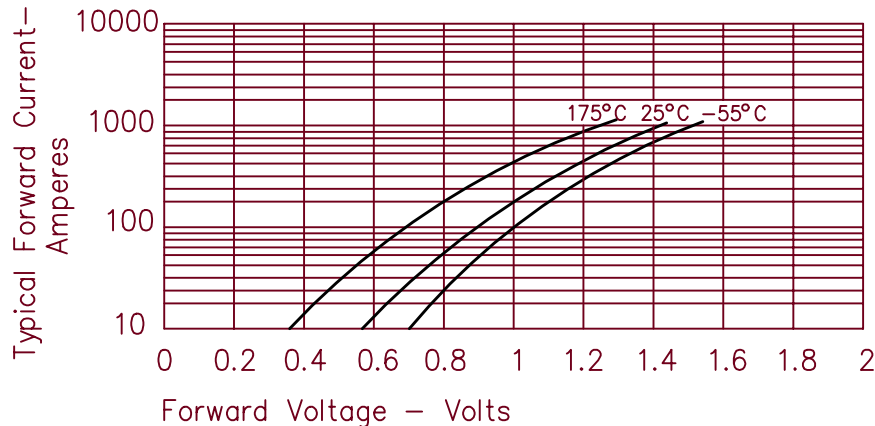
*Pulse test: Pulse width 300 μsec . Duty cycle 2%

Thermal and Mechanical Characteristics

Max. Allowable Storage Temperature	-55°C to 175°C
Typical thermal resistance	0.7°C/Watt
Surge current at max T_J	1500A @ 8.3ms half sine

NOTE: Thermal resistance (ROJC), forward voltage drop, and surge current (ITSM) ratings are heavily dependent on die to heat sink assembly methods

Typical Forward Characteristics



7-27-01 Rev. IR