



KBPC10/15/25/35/50A SERIES

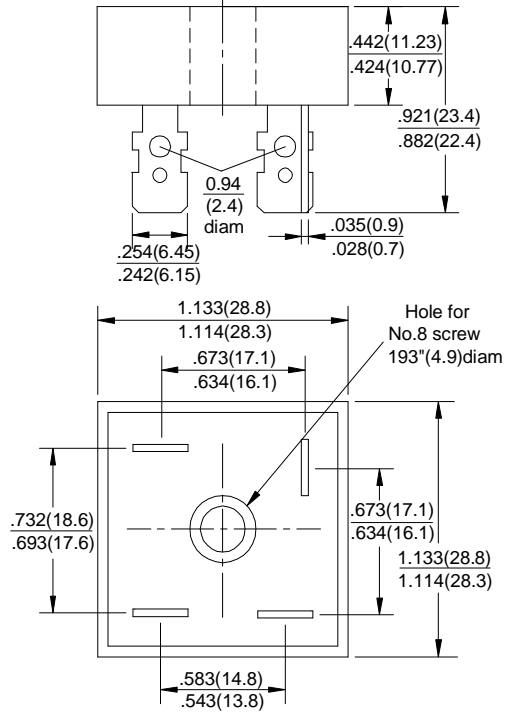
SILICON BRIDGE RECTIFIERS

REVERSE VOLTAGE - 50 to 1000Volts
 FORWARD CURRENT - 10/15/25/35/50 Amperes

FEATURES

- Surge overload -240~500 Amperes peak
- Low forward voltage drop
- Mounting Position : Any
- Electrically isolated base -2000 Volts
- Solderable 0.25" FAST ON terminals
- Materials used carries U/L recognition

KBPC



Dimensions in inches and (millimeters)

MAXIMUM RATINGS AND ELECTRICAL CHARACTERISTICS

Rating at 25°C ambient temperature unless otherwise specified.

Resistive or inductive load 60Hz.

For capacitive load current by 20%

CHARACTERISTICS	SYMBOL	KBPC								UNIT
		10005	1001	1002	1004	1006	1008	1010		
Maximum Recurrent Peak Reverse Voltage	V _{RRM}	50	100	200	400	600	800	1000		V
Maximum RMS Bridge Input Voltage	V _{RMS}	35	70	140	280	420	560	700		V
Maximum Average Forward Rectified Output Current @ T _C =55°C	I _(AV)	10	15	25	35	50				A
Peak Forward Surge Current 8.3ms Single Half Sine-Wave Super Imposed on Rated Load	I _{FSM}	240	300	400	400	500				A
Maximum Forward Voltage Drop Per Element at 5.0/7.5/12.5/17.5/25.0A Peak	V _F	1.1								V
Maximum Reverse Current at Rate DC Blocking Voltage Per Element @ T _J =25°C	I _R	10								μA
Operating Temperature Range	T _J	-55 to +150								°C
Storage Temperature Range	T _{STG}	-55 to +150								°C

RATING AND CHARACTERISTIC CURVES
KBPC10/15/25/35/50A SERIES



FIG.1-MAXIMUM FORWARD SURGE CURRENT

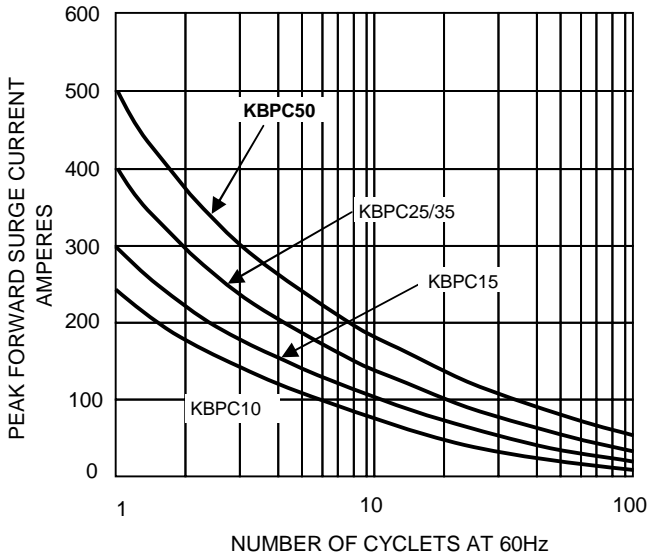


FIG.2- DERATING CURVE
 OUTPUT RECTIFIED CURRENT

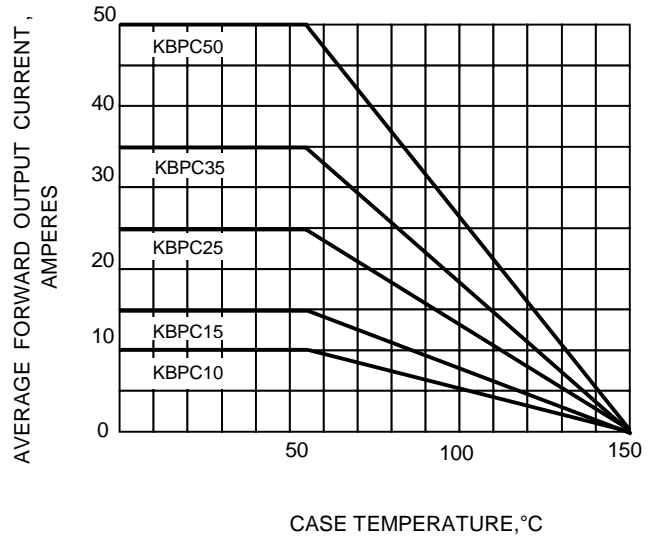


FIG.3-TYPICAL FORWARD CHARACTERISTICS

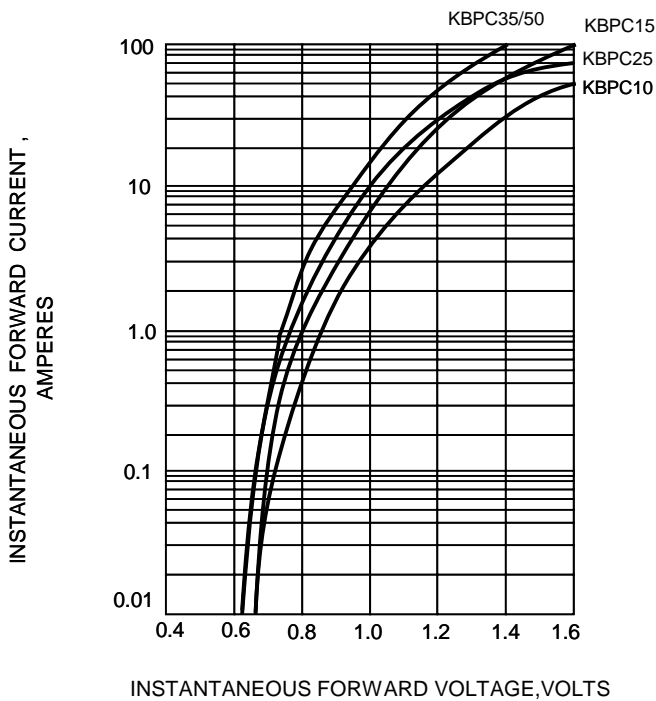


FIG.4-TYPICAL REVERSE CHARACTERISTICS

