

HER101G-G Thru. HER108G-G

Voltage: 50 to 1000 V

Current: 1.0 A

RoHS Device

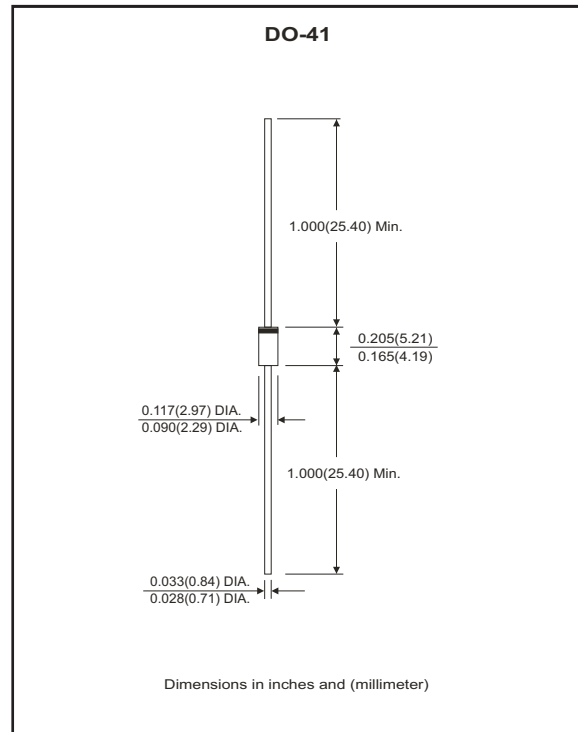


Features

- Glass passivated chip.
- Low forward voltage.
- High reliability.
- High surge current capability.
- High speed switching.

Mechanical data

- Case: JEDEC DO-41 molded plastic.
- Epoxy: UL 94V-0 rate flame retardant.
- Polarity: Color band denotes cathode end.
- Lead: Solderable per MIL-STD-202, method 208 guaranteed.
- Mounting position: Any
- Weight: 0.321 grams



Maximum Ratings and Electrical Characteristics

Ratings at 25°C ambient temperature unless otherwise specified.
Single phase, half wave, 60Hz, resistive or inductive load.
For capacitive load, derate current by 20%.

Parameter	Symbol	HER 101G-G	HER 102G-G	HER 103G-G	HER 104G-G	HER 105G-G	HER 106G-G	HER 107G-G	HER 108G-G	Unit	
Maximum repetitive peak reverse voltage @ $I_T = 5\mu A$	V_{RRM}	50	100	200	300	400	600	800	1000	V	
Maximum RMS voltage	V_{RMS}	35	70	140	210	280	420	560	700	V	
Maximum DC blocking voltage	V_{DC}	50	100	200	300	400	600	800	1000	V	
Maximum average forward rectified current @ $T_A=25^\circ C$	$I_{(AV)}$	1.0								A	
Maximum instantaneous forward voltage at specified current	V_F	1.0			1.3		1.7			V	
Maximum DC reverse current	I_R	5.0								μA	
Maximum reverse recovery time (Note 1)	t_{rr}	50					75				ns
Operating temperature range	T_J	-55 ~ +150								$^\circ C$	
Storage temperature range	T_{STG}	-55 ~ +150								$^\circ C$	

NOTES:

1. Reverse recovery test conditions: $I_F=0.5A$, $I_R=1.0A$, $I_{RR}=0.25A$ (RGI circuit)

Rating and Characteristic Curves (HER101G-G Thru. HER108G-G)

Fig.1- Forward Current Derating Curve

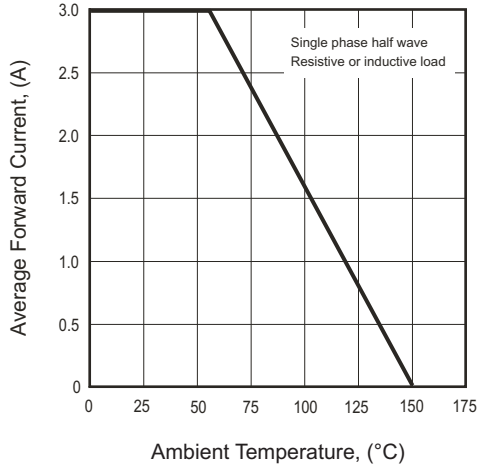


Fig.2- Typical Forward Characteristics

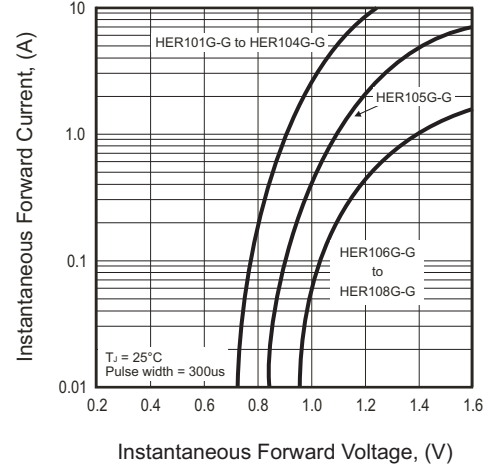


Fig.3- Peak Forward Surge Current

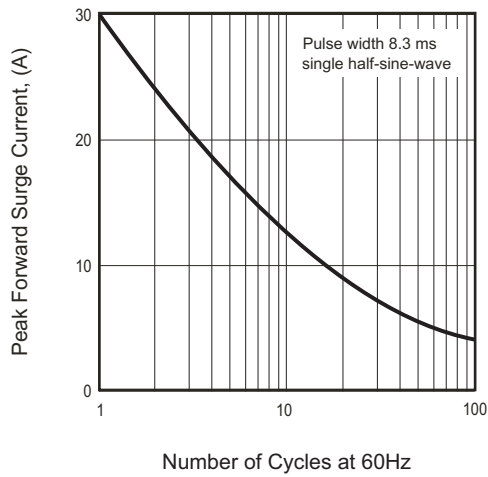
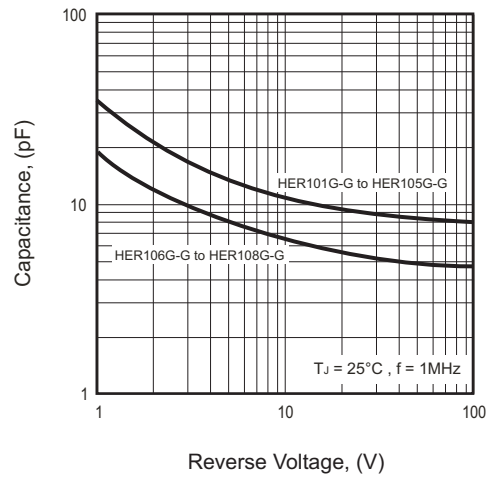
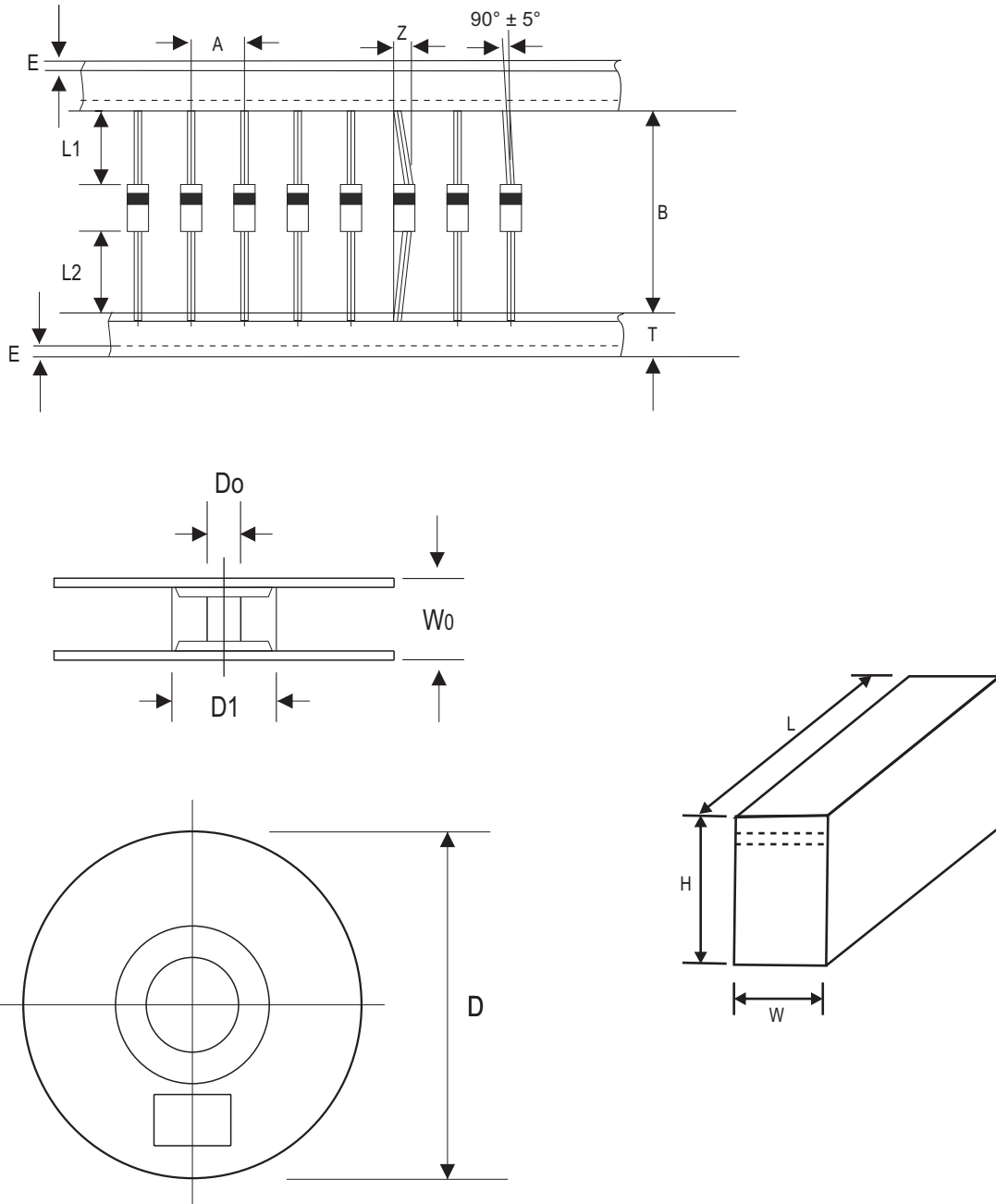


Fig.4- Typical Junction Capacitance



Taping Specification For Axial Lead Diodes



DO-41	SYMBOL	A	B	Z	T	E	L1	L2
	(mm)	5.00 ± 0.50	52.00 ± 0.50	1.20 (max)	6.00 ± 0.40	3.00 (max)	1.00 (max)	1.00 (max)
	(inch)	0.197 ± 0.020	2.047 ± 0.020	0.047 (max)	0.236 ± 0.016	0.118 (max)	0.039 (max)	0.039 (max)

DO-41	SYMBOL	D1	D0	D	W0	L	W	H
	(mm)	85.70 ± 0.30	16.60 ± 0.40	330.00	72.00 ± 3.00	260.00	75.00	145.00
	(inch)	3.374 ± 0.012	0.654 ± 0.016	13.000	2.835 ± 0.118	10.236	2.953	5.709

Marking Code

Part Number	Marking code	Packaging
HER101GA-G	HER101G	AMMO
HER102GA-G	HER102G	AMMO
HER103GA-G	HER103G	AMMO
HER104GA-G	HER104G	AMMO
HER105GA-G	HER105G	AMMO
HER106GA-G	HER106G	AMMO
HER107GA-G	HER107G	AMMO
HER108GA-G	HER108G	AMMO
HER101GT-G	HER101G	REEL
HER102GT-G	HER102G	REEL
HER103GT-G	HER103G	REEL
HER104GT-G	HER104G	REEL
HER105GT-G	HER105G	REEL
HER106GT-G	HER106G	REEL
HER107GT-G	HER107G	REEL
HER108GT-G	HER108G	REEL
HER101GB-G	HER101G	BULK
HER102GB-G	HER102G	BULK
HER103GB-G	HER103G	BULK
HER104GB-G	HER104G	BULK
HER105GB-G	HER105G	BULK
HER106GB-G	HER106G	BULK
HER107GB-G	HER107G	BULK
HER108GB-G	HER108G	BULK



XXX = Product type marking code

Note:

1) Suffix code after part number to specify packaging item .

Packaging	Code
AMMO PACK	A
REEL PACK	T
BULK PACK	B

Standard Packaging

Case Type	AMMO PACK	
	BOX (pcs)	CARTON (pcs)
DO-41	3,000	30,000
	5,000	50,000

Case Type	REEL PACK	
	REEL (pcs)	Reel Size (inch)
DO-41	5,000	13

Case Type	BULK PACK	
	BOX (pcs)	CARTON (pcs)
DO-41	1,000	50,000