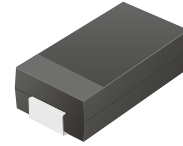


CSFA102-G Thru. CSFA105-G

Reverse Voltage: 100 to 600 Volts

Forward Current: 1.0 Amp

RoHS Device

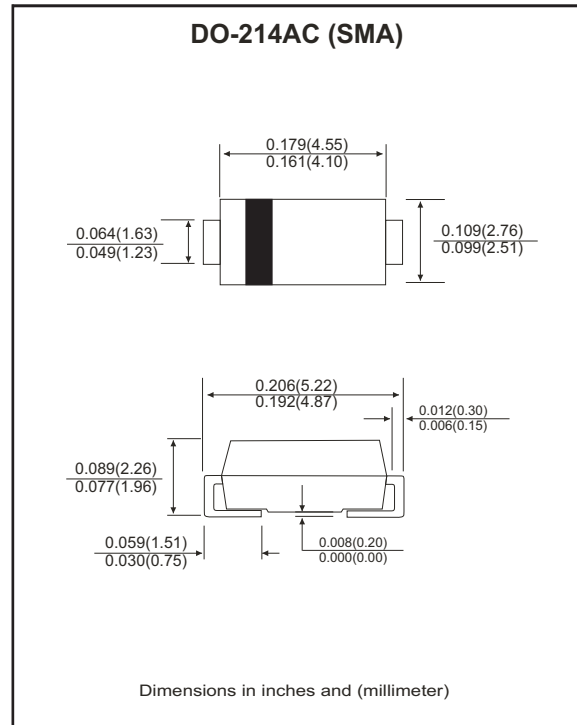


Features

- Glass passivated chip.
- Low forward voltage.
- High current capability.
- High reliability.
- High surge current capability.
- High speed switching.

Mechanical data

- Case: SMA, molded plastic.
- Epoxy: UL 94V-0 rate flame retardant.
- Lead: Solderable per MIL-STD-750, method 2026.
- Polarity: Color band denotes cathode end.
- Approx. weight: 0.069 grams



Maximum Ratings and Electrical Characteristics (at TA=25°C unless otherwise noted)

Parameter	Symbol	CSFA 102-G	CSFA 103-G	CSFA 104-G	CSFA 105-G	Unit
Maximum repetitive peak reverse voltage @ $I_T = 5\mu A$	V_B	100	200	400	600	V
Maximum RMS voltage	V_R	70	140	280	420	V
Maximum DC blocking voltage	V_{DC}	100	200	400	600	V
Maximum average forward rectified current @ $T_A = 25^\circ C$	I_F	1.0				A
Maximum instantaneous forward voltage at specified current	V_F	0.95		1.25	1.50	V
Maximum DC reverse current	I_R	5.0				μA
Maximum reverse recovery time (Note 1)	t_{rr}	35			50	ns
Operating temperature range	T_J	-55 ~ +150				$^\circ C$
Storage temperature range	T_{STG}	-55 ~ +150				$^\circ C$

NOTES:

1. Reverse recovery test conditions: $I_F = 0.5A$, $I_R = 1.0A$, $I_{RR} = 0.25A$ (RGI circuit)

RATING AND CHARACTERISTIC CURVES (CSFA102-G thru CSFA105-G)

Fig.1 - Forward Current Derating Curve

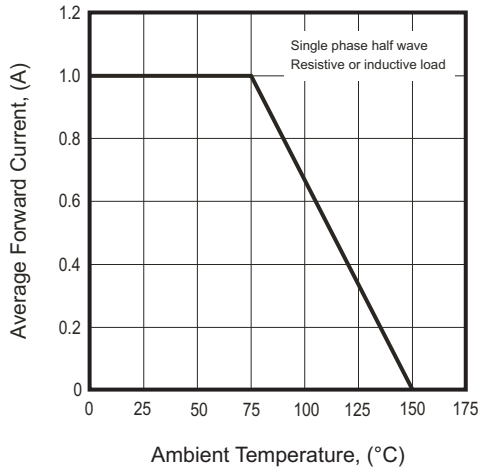


Fig.2 - Typical Forward Characteristics

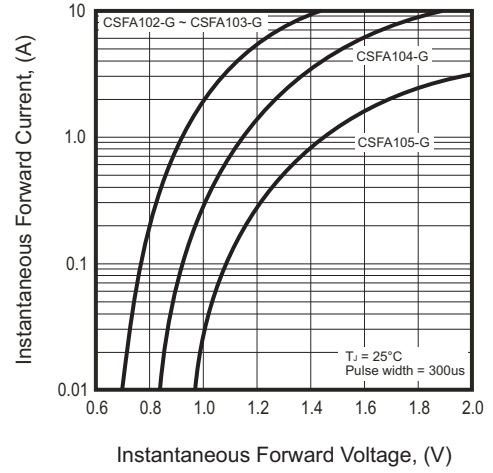


Fig.3 - Peak Forward Surge Current

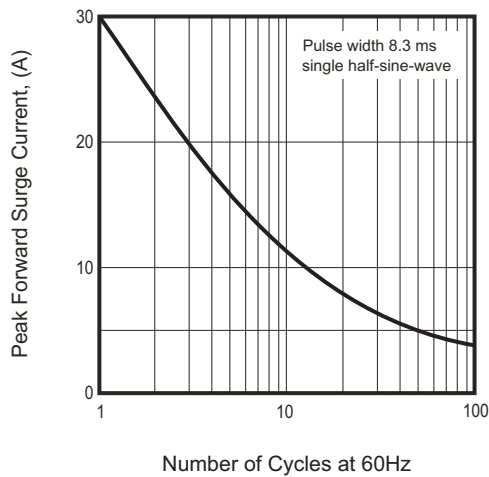
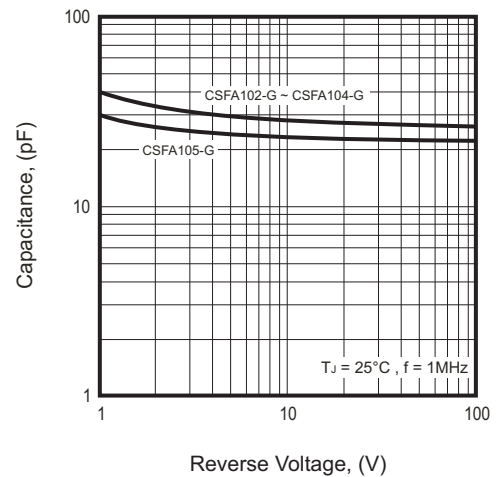
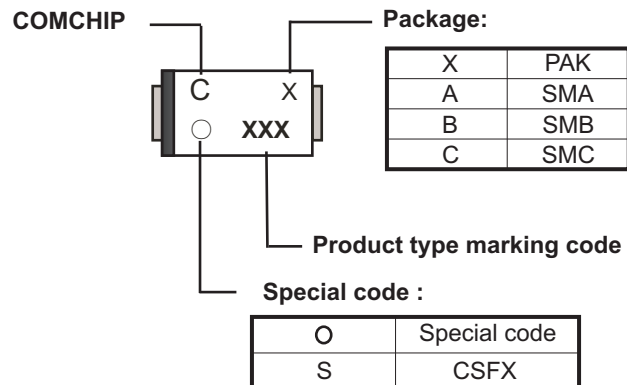


Fig.4 - Typical Junction Capacitance



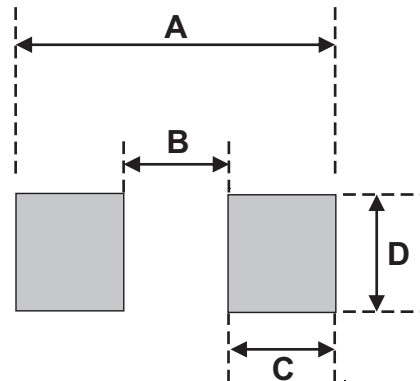
Marking Code

Part Number	Marking Code
CSFA102-G	102
CSFA103-G	103
CSFA104-G	104
CSFA105-G	105



Suggested PAD Layout

SIZE	DO-214AC(SMA)	
	(mm)	(inch)
A	5.28	0.208
B	1.88 MAX	0.074 MAX
C	1.52 MIN	0.060 MIN
D	1.68 MIN	0.066 MIN



Standard Packaging

Case Type	REEL PACK	
	REEL (pcs)	Reel Size (inch)
DO-214AC (SMA)	5,000	13