

RL201-G Thru. RL207-G

Forward Current: 2.0A

Reverse Voltage: 50 to 1000V

RoHS Device



Features

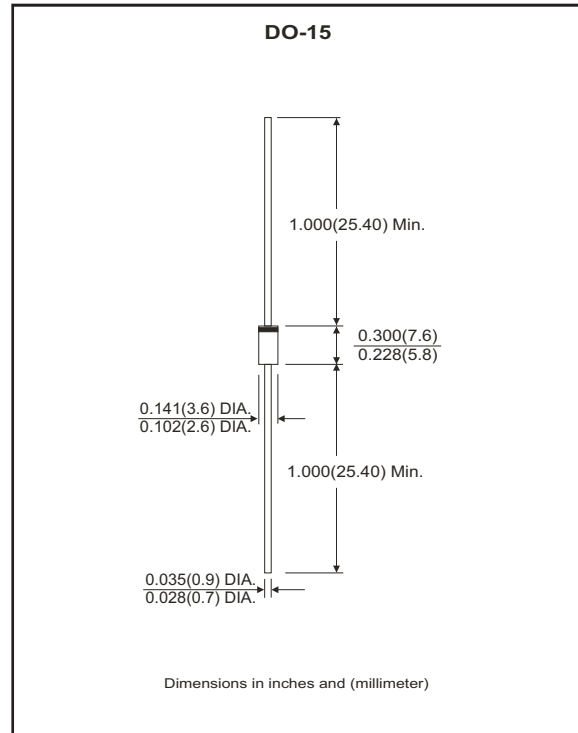
- Diffused Junction.
- Low forward voltage drop.
- Low reverse leakage current.
- High current capability.

Mechanical data

- Case: JEDEC DO-15 molded plastic.
- Epoxy: UL94V-0 rate flame retardant
- Polarity: Color band denotes cathode end

Mounting position: Any

-Weight: 0.39gram



Maximum Ratings and Electrical Characteristics

Ratings at 25°C ambient temperature unless otherwise specified.
Single phase, half wave, 60Hz, resistive or inductive load.
For capacitive load derate current by 20%.

Parameter	Symbol	RL201-G	RL202-G	RL203-G	RL204-G	RL205-G	RL206-G	RL207-G	Unit
Maximum repetitive peak reverse voltage	V_{RRM}	50	100	200	400	600	800	1000	V
Maximum RMS voltage	V_{RMS}	35	70	140	280	420	560	700	V
Maximum DC blocking voltage	V_{DC}	50	100	200	400	600	800	1000	V
Maximum average forward rectified current 0.375"(9.5mm) lead length @ $T_A=50^\circ\text{C}$	$I_{(AV)}$	2.0							A
Peak forward surge current, 8.3ms single half sine-wave superimposed on rated load (JEDEC method)	I_{FSM}	60							A
Maximum forward voltage at 2.0A DC	V_F	1.1							V
Maximum reverse current @ $T_J=25^\circ\text{C}$ at rated DC blocking voltage @ $T_J=100^\circ\text{C}$	I_R	5 50							μA
Typical junction capacitance (Note 1)	C_J	20							pF
Typical thermal resistance (Note 2)	$R_{\theta JA}$	40							$^\circ\text{C}/\text{W}$
Operating temperature range	T_J	-55 ~ +150							$^\circ\text{C}$
Storage temperature range	T_{STG}	-55 ~ +150							$^\circ\text{C}$

NOTES:

1. Measured at 1.0MHz and applied reverse voltage of 4.0V DC.
2. Thermal resistance junction to ambient.

Company reserves the right to improve product design , functions and reliability without notice.

REV:B

RATING AND CHARACTERISTIC CURVES (RL201-G Thru. RL207-G)

Fig.1 Forward Current Derating Curve

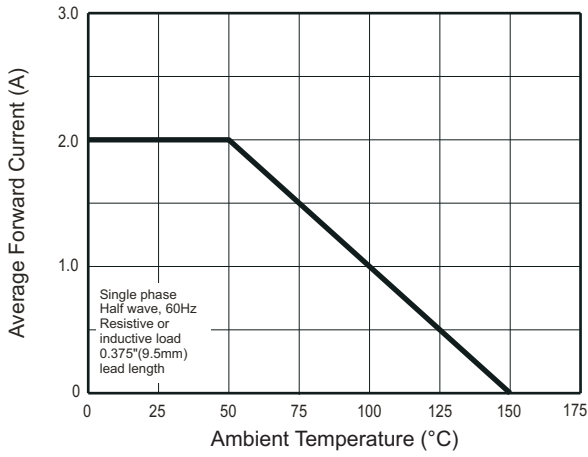


Fig.2 Max. Non-repetitive Surge Current

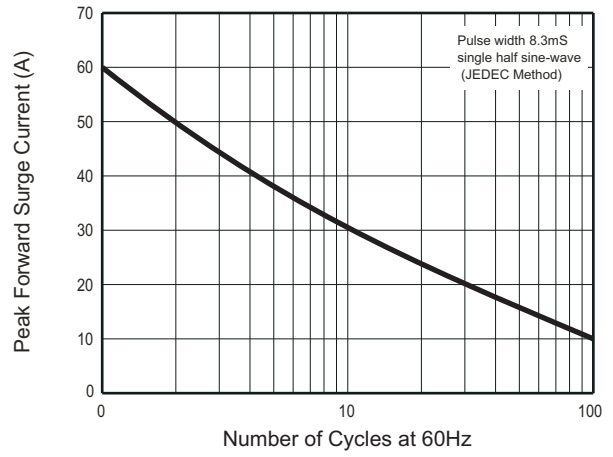


Fig.3 Typical Junction Capacitance

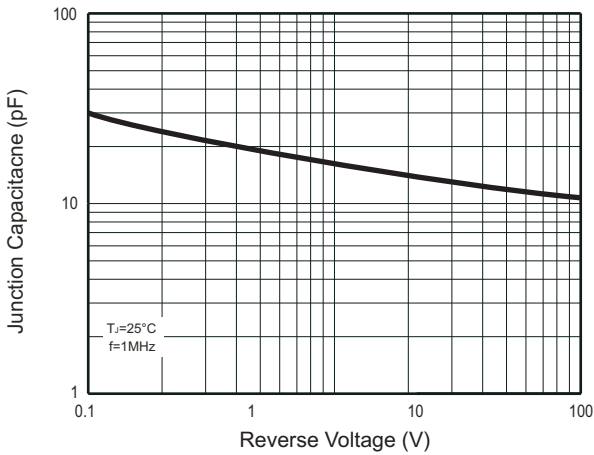
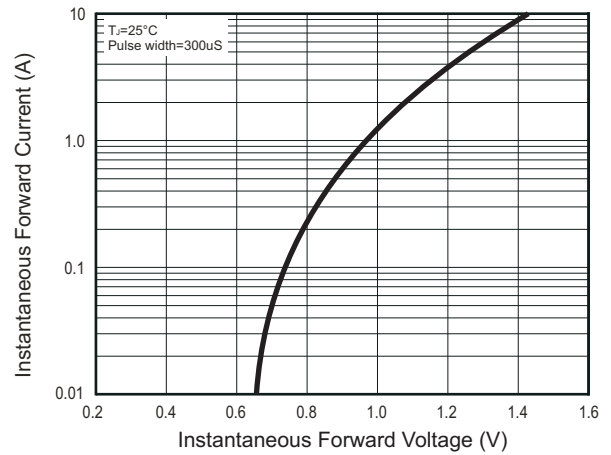


Fig.4 Typical Forward Characteristics



Marking Code

Part Number	Marking code
RL201-G	RL201
RL202-G	RL202
RL203-G	RL203
RL204-G	RL204
RL205-G	RL205
RL206-G	RL206
RL207-G	RL207

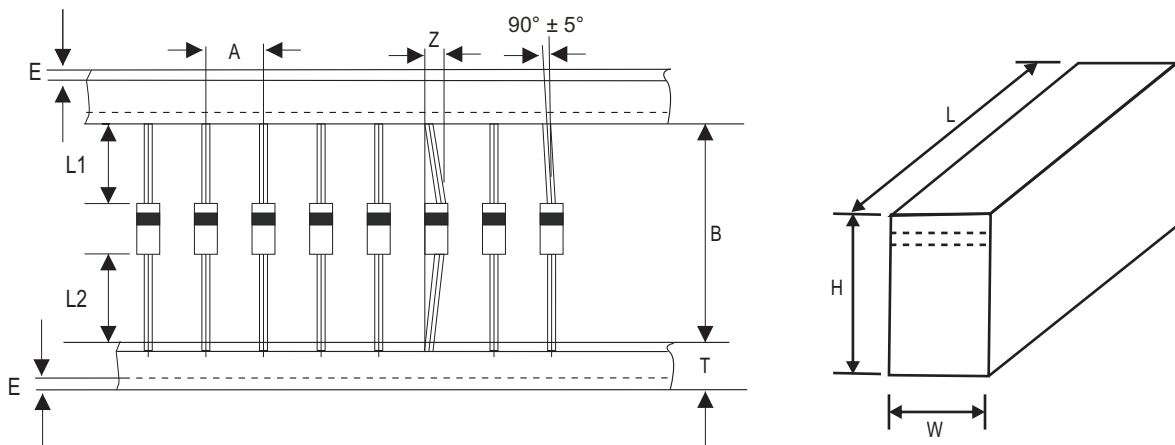


XXX = Product type marking code

Standard Packaging

Case Type	AMMO PACK	
	BOX (pcs)	CARTON (pcs)
DO-15	3,000	30,000

Taping Specification For Axial Lead Diodes



DO-15	SYMBOL	A	B	Z	T	E	L1	L2
	(mm)	5.00 ± 0.50	52.40 ± 1.50	1.20 (max)	6.00 ± 0.40	0.80 (max)	1.00 (max)	1.00 (max)
	(inch)	0.197 ± 0.020	2.063 ± 0.059	0.047 (max)	0.236 ± 0.016	0.031 (max)	0.039 (max)	0.039 (max)

DO-15	SYMBOL	L	W	H
	(mm)	255.0 ± 5.0	78.0 ± 5.0	95.0 ± 5.0
	(inch)	10.039 ± 0.197	3.071 ± 0.197	3.740 ± 0.197