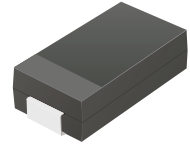


## CFRA201-G Thru. CFRA207-G

Reverse Voltage: 50 to 1000 Volts

Forward Current: 2.0 Amp

RoHS Device



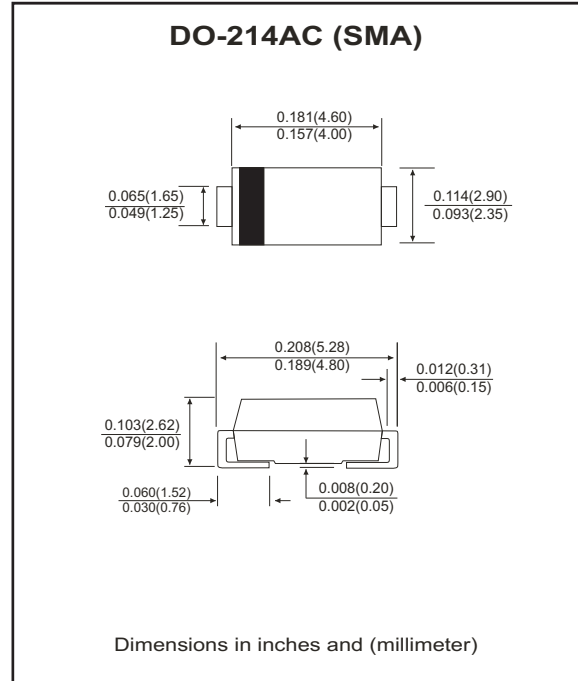
### Features

- Fast switching for high efficiency.
- Diffused Junction
- Low reverse leakage current.
- Low forward voltage drop.
- High current capability.
- The plastic material carries UL recognition 94V-0

### Mechanical data

- Case: Molded plastic.
- Terminals: Solderable per MIL-STD-750, method 2026.
- Polarity: Color band denotes cathode end.
- Weight: 0.053 grams(Approx).

### Circuit diagram



### Maximum Ratings and Electrical Characteristics

Rating at 25°C ambient temperature unless otherwise specified.  
 Single phase, half wave, 60Hz, resistive or inductive load.  
 For capacitive load, derate current by 20%

Parameter	Symbol	CFRA 201-G	CFRA 202-G	CFRA 203-G	CFRA 204-G	CFRA 205-G	CFRA 206-G	CFRA 207-G	Unit
Max. Repetitive peak reverse voltage	$V_{RRM}$	50	100	200	400	600	800	1000	V
Max. DC blocking voltage	$V_{DC}$	50	100	200	400	600	800	1000	V
Max. RMS voltage	$V_{RMS}$	35	70	140	280	420	560	700	V
Max. Average forward rectified current @ $T_A=75^\circ C$	$I_{(AV)}$	2.0							A
Peak surge forward current, 8.3ms single half sine-wave superimposed on rate load (JEDEC method)	$I_{FSM}$	60							A
Max. Peak forward voltage at 2.0A DC	$V_F$	1.3							V
Max. DC reverse current at $T_J=25^\circ C$ rated DC blocking voltage $T_J=100^\circ C$	$I_R$	5.0 100							$\mu A$
Max. Reverse recovery time (Note1)	$T_{rr}$	150			250	500		nS	
Typical junction capacitance (Note2)	$C_J$	30			20		pF		
Typical thermal resistance (Note 3)	$R_{\theta JA}$	25							$^\circ C/W$
Operating temperature range	$T_J$	-55 to +150							$^\circ C$
Storage temperature range	$T_{STG}$	-55 to +150							$^\circ C$

Notes: 1. Measured with  $I_F=0.5A, I_R=1A, I_{RR}=0.25A$   
 2. Measured at 1.0 MHz and applied reverse voltage of 4.0V DC  
 3. Thermal resistance junction to ambient.

Company reserves the right to improve product design , functions and reliability without notice.

REV:B

## RATING AND CHARACTERISTIC CURVES (CFRA201-G thru CFRA207-G)

Fig.1- Forward current derating curve

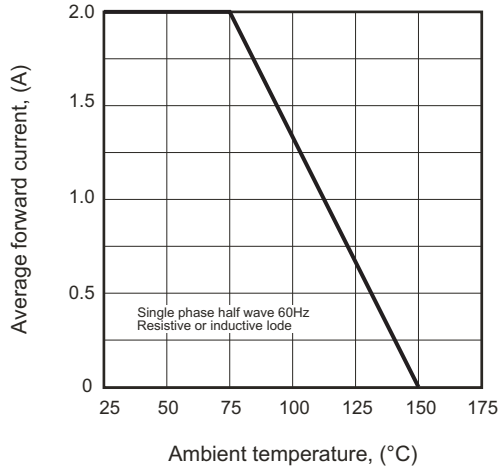


Fig.2- Maximum Non-repetitive Surge Current

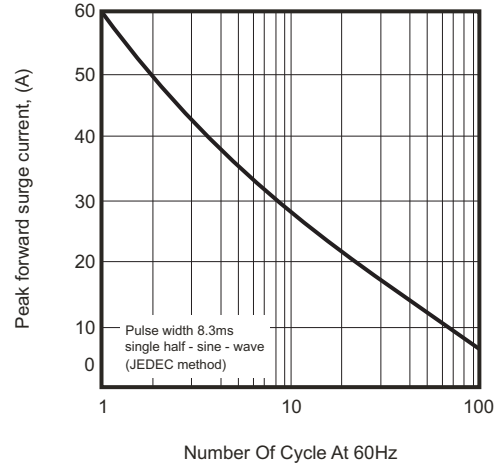


Fig.3- Typical junction capacitance

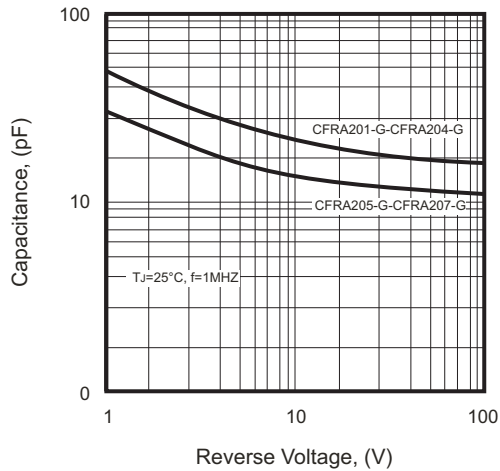
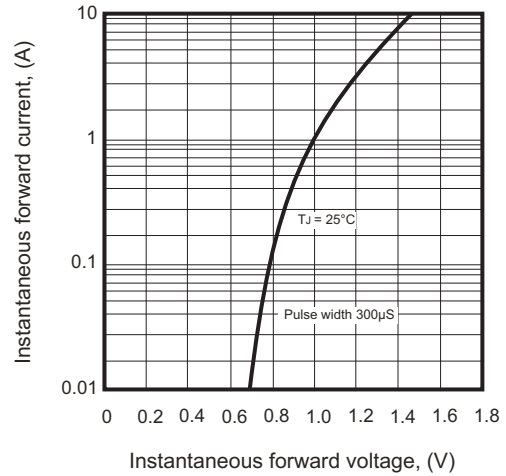
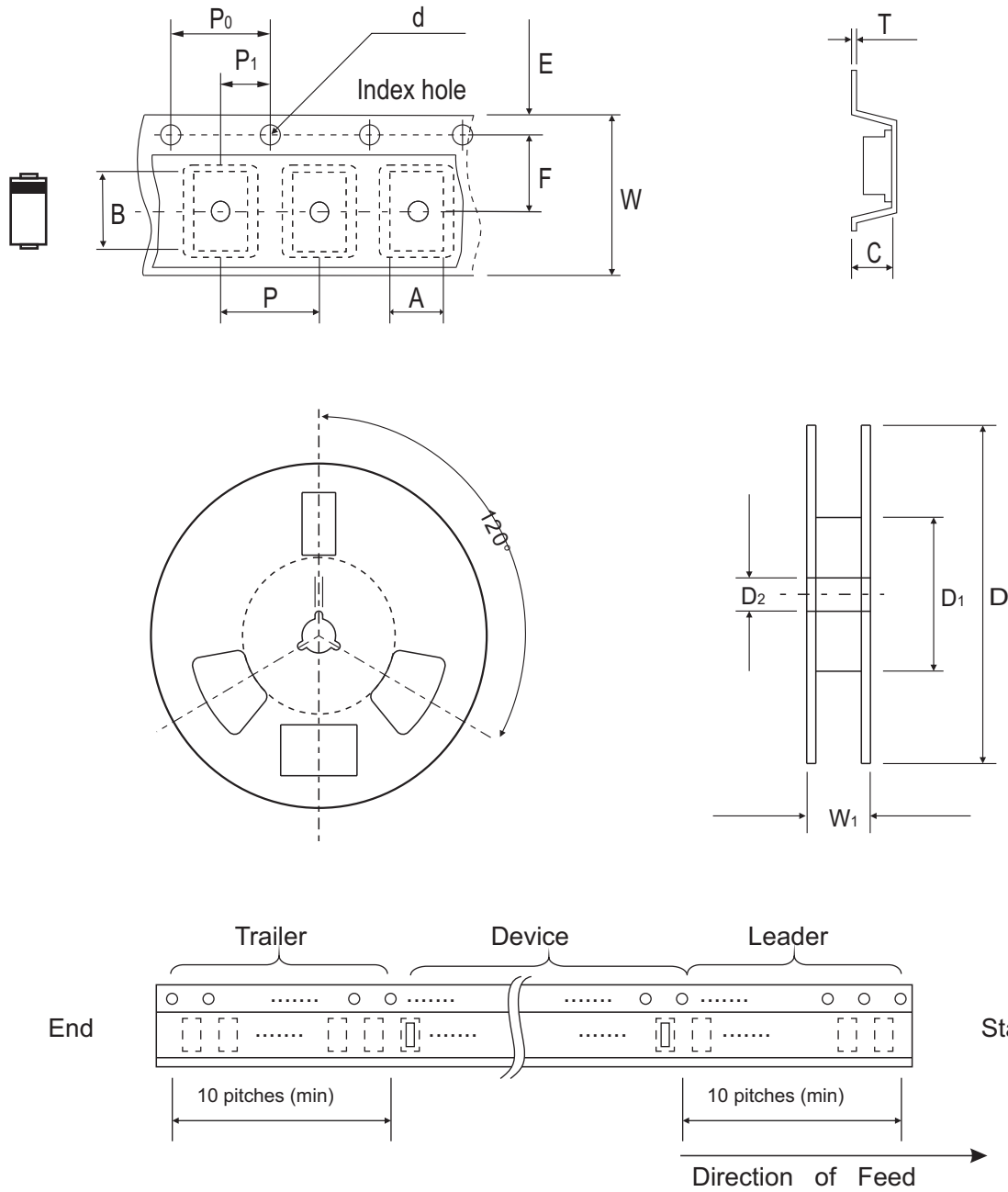


Fig.4- Typical forward characteristics



## Reel Taping Specification



DO-214AC (SMA)	SYMBOL	A	B	C	d	D	D1	D2
	(mm)	2.72 ± 0.10	5.25 ± 0.10	2.36 ± 0.10	1.55 ± 0.05	330 ± 2.00	50.0 MIN.	13.00 ± 0.20
	(inch)	0.107 ± 0.004	0.207 ± 0.004	0.093 ± 0.004	0.061 ± 0.002	12.99 ± 0.079	1.969 MIN.	0.512 ± 0.008

DO-214AC (SMA)	SYMBOL	E	F	P	P0	P1	T	W	W1
	(mm)	1.75 ± 0.10	5.50 ± 0.05	4.00 ± 0.10	4.00 ± 0.10	2.00 ± 0.05	0.30 ± 0.010	12.0 ± 0.30	12.4+2.00/-0.00
	(inch)	0.069 ± 0.004	0.217 ± 0.002	0.157 ± 0.004	0.157 ± 0.004	0.079 ± 0.002	0.012 ± 0.004	0.472 ± 0.012	0.488 + 0.079/-0

Company reserves the right to improve product design , functions and reliability without notice.

REV:B

## Marking Code

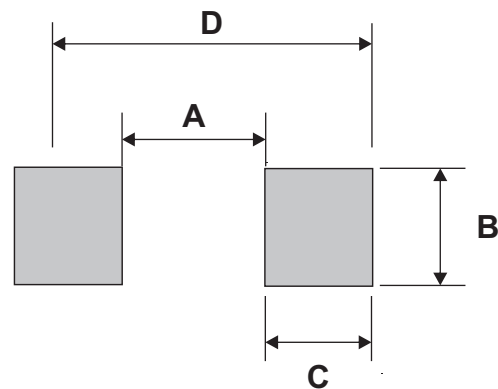
Part Number	Marking Code
CFRA201-G	RS2AA
CFRA202-G	RS2BA
CFRA203-G	RS2DA
CFRA204-G	RS2GA
CFRA205-G	RS2JA
CFRA206-G	RS2KA
CFRA207-G	RS2MA



xxxxx= Product type marking code

## Suggested PAD Layout

SIZE	DO-214AC (SMA)	
	(mm)	(inch)
A	2.10MAX	0.085 MAX
B	1.47 MIN	0.058MIN
C	1.27 MIN	0.050 MIN
D	5.49REF	0.215REF



## Standard Packaging

Case Type	Qty Per Reel	Reel Size
	(Pcs)	(inch)
DO-214AC(SMA)	5,000	13