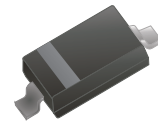


CDBV0230-G

Reverse Voltage: 30 Volts
Forward Current: 200 mA
RoHS Device

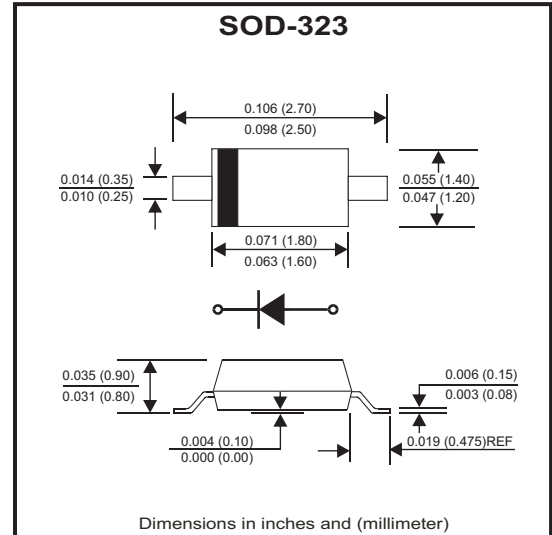


Features

- Extremely fast switching speed.
- Small surface mount type.
- Low forward voltage.

Mechanical data

- Case: SOD-323 standard package, Molded Plastic
- Terminals: Solderable per MIL-STD-750, method 2026
- Marking code: cathode band & L9
- Mounting position: Any
- Weight: 0.01 gram(approx.)



Maximum Ratings (at T_A=25°C unless otherwise noted)

Parameter	Symbol	Limit	Unit
Non-repetitive peak reverse voltage	V _{RM}	30	V
DC blocking voltage	V _{DC}	21	V
Average rectified output current	I _O	100	mA
Forward continuous current	I _F	200	mA
Repetitive peak forward current	I _{FRM}	300	mA
Forward surge current	I _{FSM}	600	mA
Power dissipation	P _D	200	mW
Thermal resistance junction to ambient	R _{θJA}	500	°C/W
Junction temperature	T _J	125	°C
Storage temperature range	T _{STG}	-65 ~ +150	°C

Electrical Characteristics (at T_A=25°C unless otherwise noted)

Parameter	Symbol	Conditions	Min.	Typ.	Max.	Unit
Reverse Breakdown voltage	V _(BR)	I _R =100μA	30	-----	-----	V
Forward voltage	V _{F1}	I _F =0.1mA	-----	-----	240	mV
	V _{F2}	I _F =1.0mA	-----	-----	320	mV
	V _{F3}	I _F =10mA	-----	-----	400	mV
	V _{F4}	I _F =30mA	-----	-----	500	mV
	V _{F5}	I _F =100mA	-----	-----	1000	mV
Reverse current	I _R	V _R =25V	-----	-----	2.0	uA
Capacitance between terminals	C _T	V _R =1V, f=1.0MHz	-----	-----	10	pF
Reverse recovery time	t _{rr}	I _F =10mA, I _R =10mA to 1mA R _L =100Ω	-----	-----	5.0	nS

Company reserves the right to improve product design , functions and reliability without notice.

REV: A

RATING AND CHARACTERISTIC CURVES (CDBV0230-G)

Fig.1 - Power Derating Curve

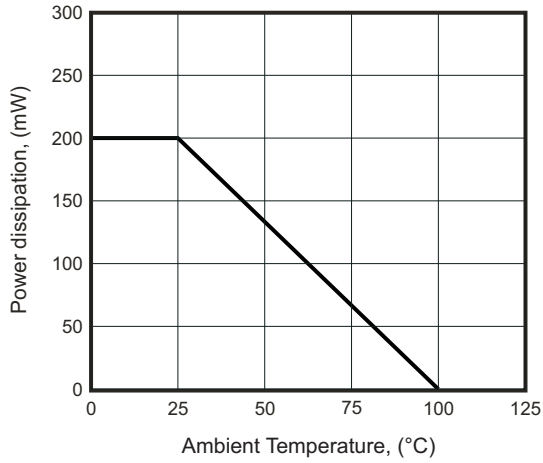


Fig.2 - Reverse Characteristics

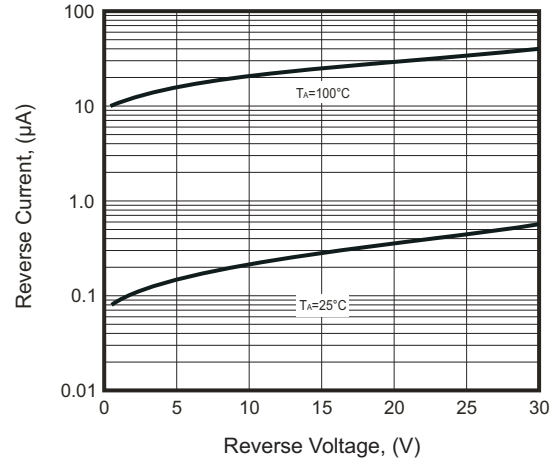


Fig.3 - Forward Characteristics

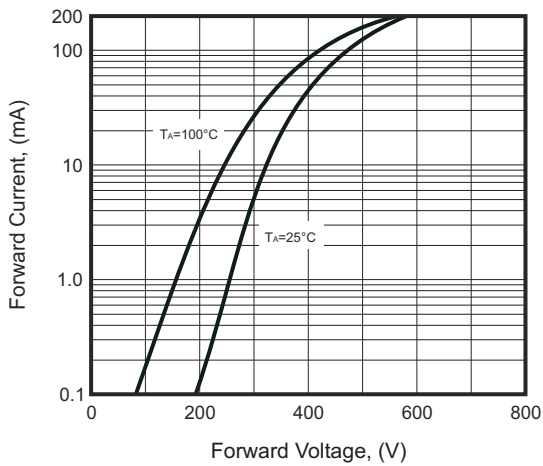
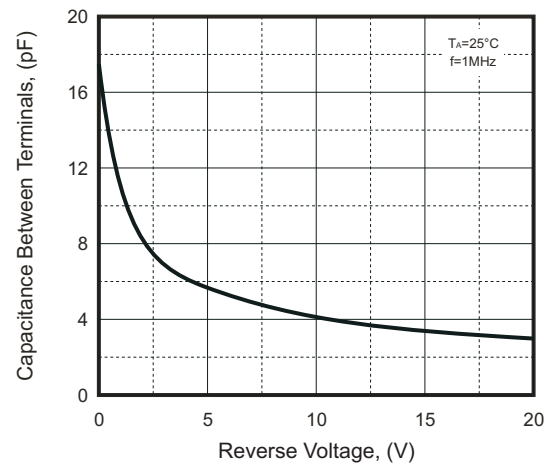
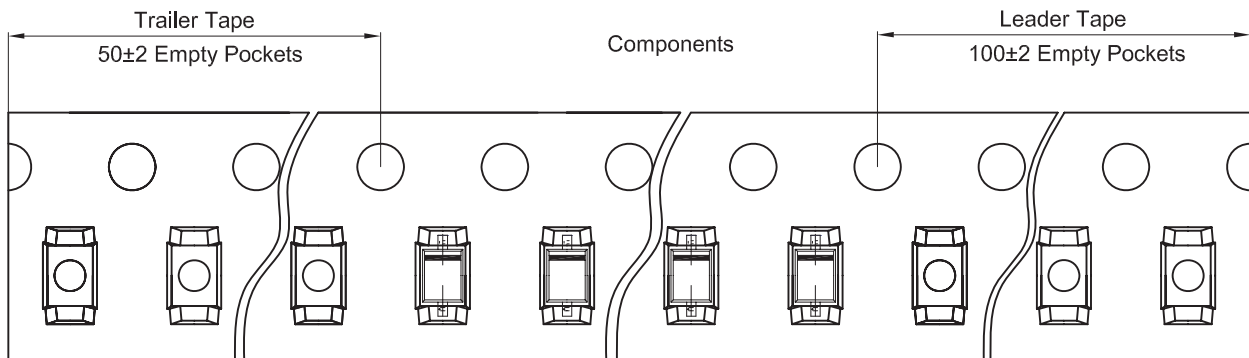
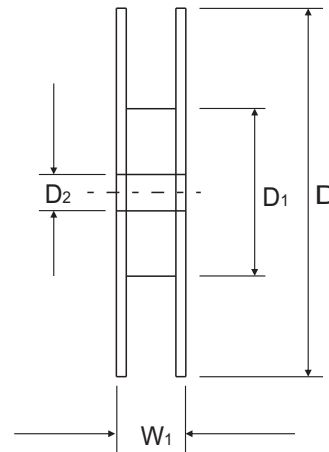
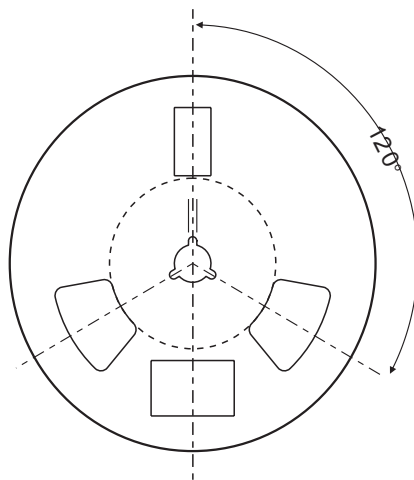
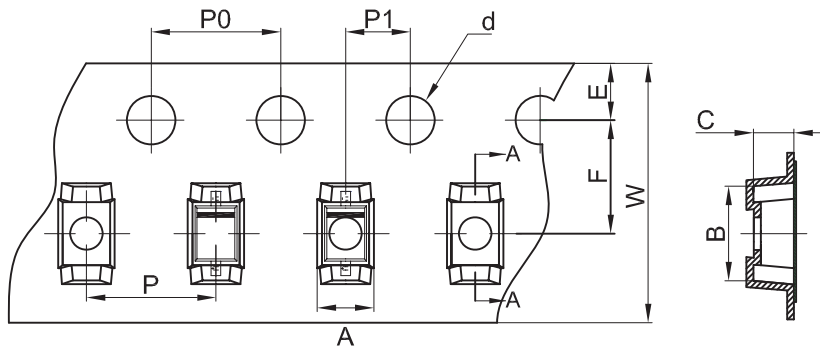


Fig.4 - Capacitance Characteristics



Reel Taping Specification



SOD-323	SYMBOL	A	B	C	d	D	D1	D2
	(mm)	1.46 ± 0.05	2.90 ± 0.05	1.25 ± 0.05	1.50 ± 0.10	178 ± 2.00	54.40 ± 1.00	13.00 ± 1.00
	(inch)	0.057 ± 0.002	0.114 ± 0.002	0.049 ± 0.002	0.059 ± 0.004	7.008 ± 0.079	2.142 ± 0.039	0.512 ± 0.039

SOD-323	SYMBOL	E	F	P	P0	P1	W	W1
	(mm)	1.75 ± 0.10	3.50 ± 0.10	4.00 ± 0.10	4.00 ± 0.10	2.00 ± 0.10	8.00 ± 0.30 / - 0.10	12.30 ± 1.00
	(inch)	0.069 ± 0.004	0.138 ± 0.004	0.158 ± 0.004	0.158 ± 0.004	0.079 ± 0.004	0.315 ± 0.012 / - 0.004	0.484 ± 0.039

Company reserves the right to improve product design, functions and reliability without notice.

REV: A

Marking Code

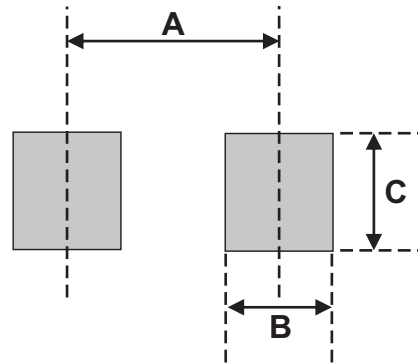
Part Number	Marking Code
CDBV0230-G	L9



xx = Product type marking code

Suggested PAD Layout

SIZE	SOD-323	
	(mm)	(inch)
A	2.15	0.085
B	0.70	0.028
C	0.70	0.028



Standard Packaging

Case Type	REEL PACK	
	REEL (pcs)	Reel Size (inch)
SOD-323	3,000	13