

## CDBP0130L-G

$I_o=100\text{mA}$

$V_R=30\text{V}$

RoHS Device

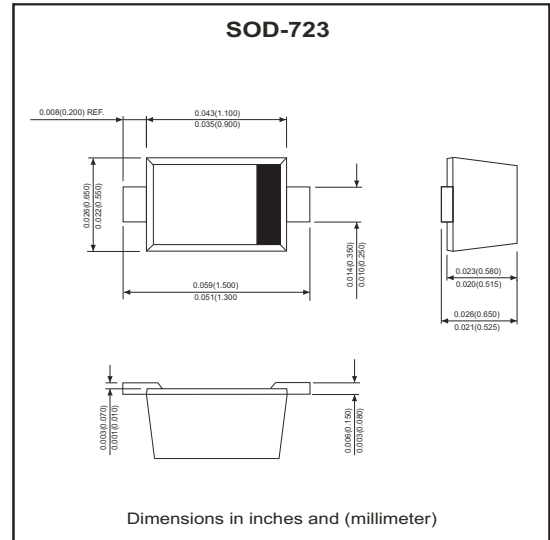


### Features

- Small surface mounting type.
- High reliability.

### Mechanical Data

- Case: Molded plastic SOD-723
- Terminals: Solderable per MIL-STD-750, Method 2026.1.
- Polarity: Indicated by cathode band.
- Mounting position: Any.



### Maximum Ratings (at $T_a=25^\circ\text{C}$ unless otherwise noted)

Parameter	Symbol	Limits	Unit
DC reverse voltage	$V_R$	30	V
Mean rectifying current	$I_o$	100	mA
Peak forward surge current	$I_{FSM}$	1	A
Junction temperature	$T_J$	125	$^\circ\text{C}$
Storage temperature	$T_{stg}$	-40 to +125	$^\circ\text{C}$

### Electrical Characteristics (at $T_a=25^\circ\text{C}$ unless otherwise noted)

Parameter	Conditions	Symbol	Min.	Max.	Unit
Forward voltage	$I_F=10\text{mA}$	$V_F$		0.35	V
Reverse current	$V_R=10\text{V}$	$I_R$		10	$\mu\text{A}$

## ELECTRICAL CHARACTERISTIC CURVES (CDBP0130L-G)

Fig.1 Forward Characteristics

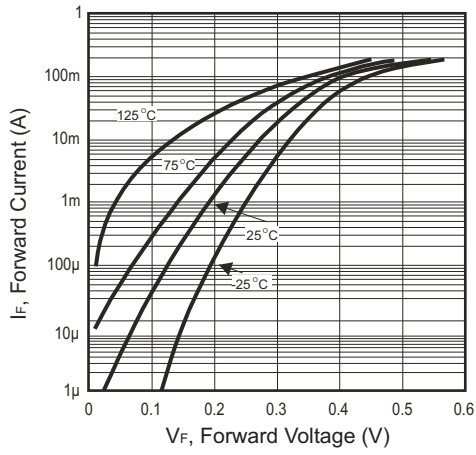


Fig.2 Reverse Characteristics

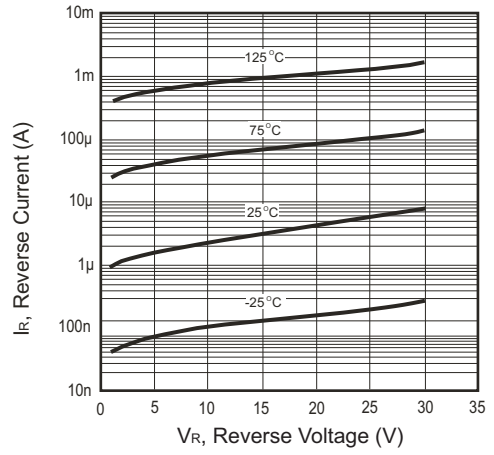
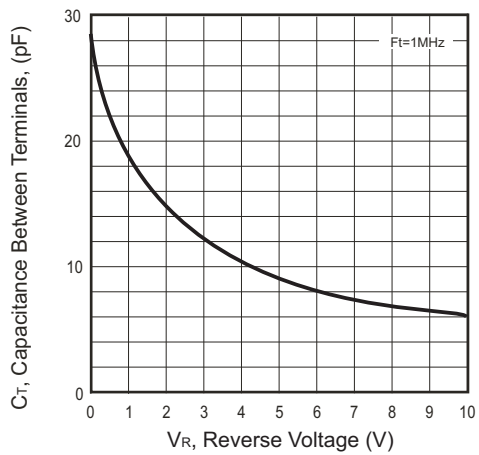
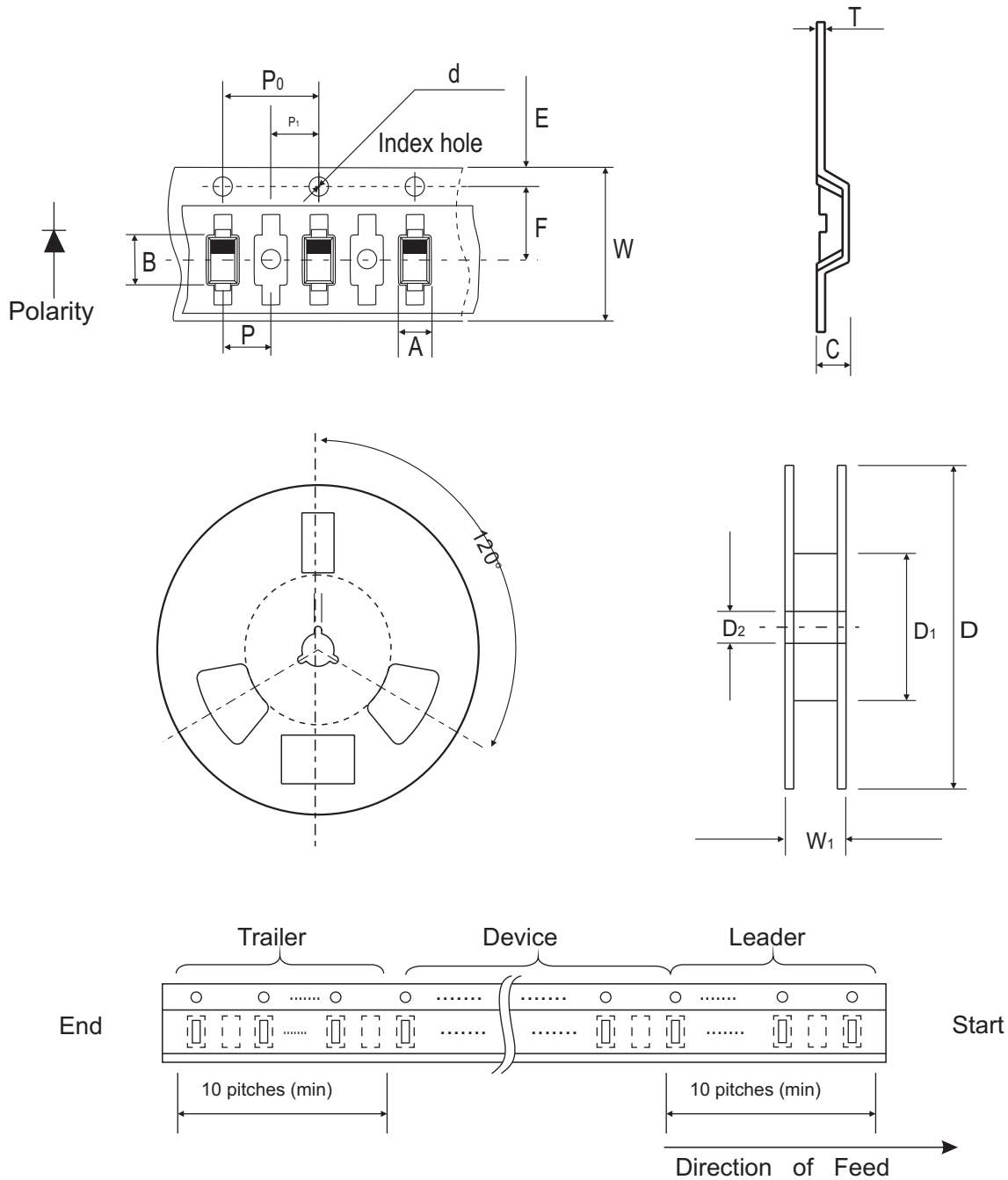


Fig.3 Capacitance between terminals Characteristics



## Reel Taping Specification



SOD-723	SYMBOL	A	B	C	d	D	D1	D2
	(mm)	0.70 ± 0.10	1.71 ± 0.10	0.68 ± 0.10	1.50 ± 0.10	178 ± 1.00	54.40 ± 0.40	13.00 ± 0.20
	(inch)	0.028 ± 0.004	0.067 ± 0.004	0.027 ± 0.004	0.059 ± 0.004	7.008 ± 0.039	2.142 ± 0.016	0.512 ± 0.008

SOD-723	SYMBOL	E	F	P	P0	P1	W	W1
	(mm)	1.75 ± 0.10	3.50 ± 0.05	4.00 ± 0.10	4.00 ± 0.10	2.00 ± 0.10	8.00 ± 0.30 / - 0.10	9.50 ± 1.00
	(inch)	0.069 ± 0.004	0.138 ± 0.002	0.158 ± 0.004	0.158 ± 0.004	0.079 ± 0.004	0.315 ± 0.012 / - 0.004	0.374 ± 0.039

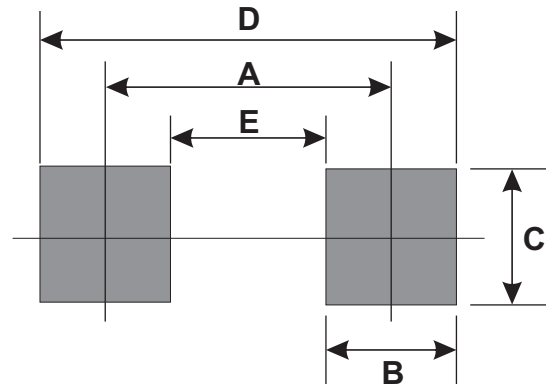
## Marking Code

Part Number	Marking Code
CDBP0130L-G	F



## Suggested PAD Layout

SIZE	SOD-723	
	(mm)	(inch)
A	1.20	0.047
B	0.60	0.024
C	0.70	0.028
D	1.80	0.071
E	0.60	0.024



## Standard Packaging

Case Type	REEL PACK	
	REEL ( pcs )	Reel Size (inch)
SOD-723	8,000	7