

CDBZ2240LL-HF

Reverse Voltage: 40 Volts
Forward Current: 2.0 Amp
RoHS Device
Halogen free

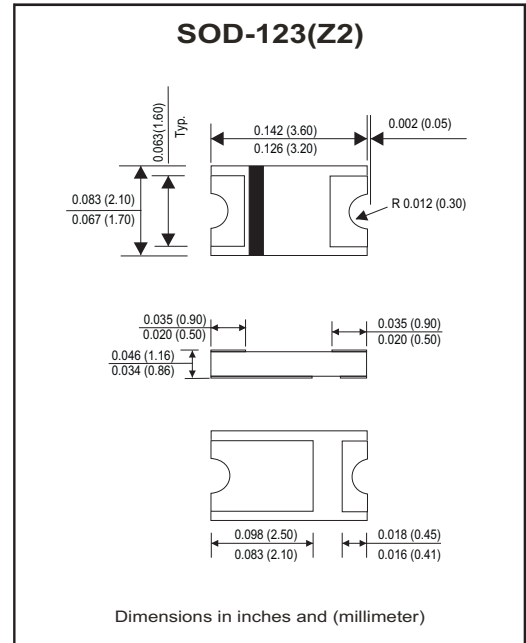


Features

- Lead less chip form, no lead damage.
- Low power loss, High efficiency.
- High current capability, low VF.
- Low forward voltage drop.
- Plastic package has Underwriters Laboratory Flammability Classification 94V-0 .

Mechanical data

- Case: Packed with FRP substrate and epoxy underfilled.
- Terminals: Pure Tin plated (Lead-Free), solderable per MIL-STD-750, method 2026.
- Weight : 0.012 grams(approx.).



Circuit Diagram



Maximum Ratings (at TA=25°C unless otherwise noted)

Parameter	Symbol	Rating	Unit
Repetitive peak reverse voltage	V _{RRM}	40	V
Average forward current	I _{F(AV)}	2	A
Peak forward surge current (8.3ms single half sine-wave)	I _{FSM}	40	A
Operating junction temperature range	T _J	-55 to +125	°C
Storage temperature range	T _{STG}	-55 to +150	°C

Electrical Characteristics (at TA=25°C unless otherwise noted)

Parameter	Conditions	Symbol	Min.	Typ.	Max.	Unit
Forward voltage (NOTE 1)	@ I _F = 0.5 A	V _F	-	0.28	-	V
	@ I _F = 1.0 A		-	0.34	-	
	@ I _F = 2.0 A		-	0.39	0.40	
Repetitive peak reverse current (NOTE 1)	V _R = Max. V _{RRM} , TA= 25°C	I _{RRM}	-	0.28	1.0	mA
Junction capacitance	V _R = 4V, f = 1.0 MHz	C _J	-	115	-	pF
Thermal resistance	Junction to ambient (NOTE 2)	R _{θJA}	-	70	-	°C/W
	Junction to case (NOTE 2)	R _{θJC}	-	22	-	°C/W

NOTES : (1) Pulse test width PW=300usec , 1% duty cycle.
 (2) Mounted on P.C. board with 0.2 x 0.2"(5.0 x5.0mm) copper pad areas.

Company reserves the right to improve product design , functions and reliability without notice.

REV:A

RATING AND CHARACTERISTIC CURVES (CDBZ2240LL-HF)

Fig.1 - Typical Forward Current Derating Curve

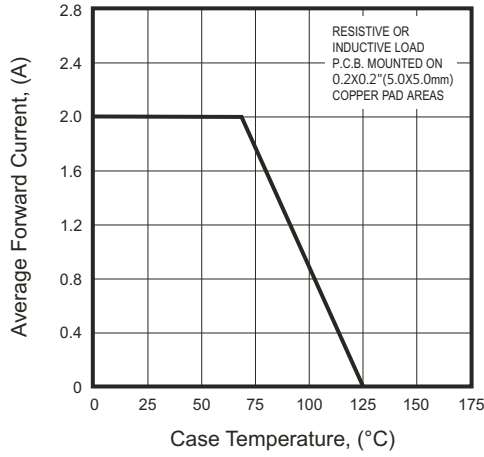


Fig.2 - Typical Forward Characteristics

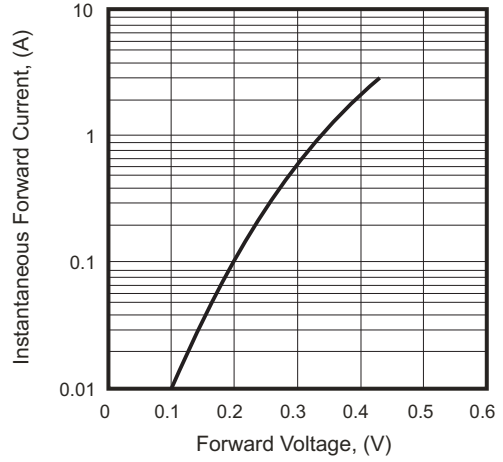


Fig.3 - Non-repetitive Forward Surge Current

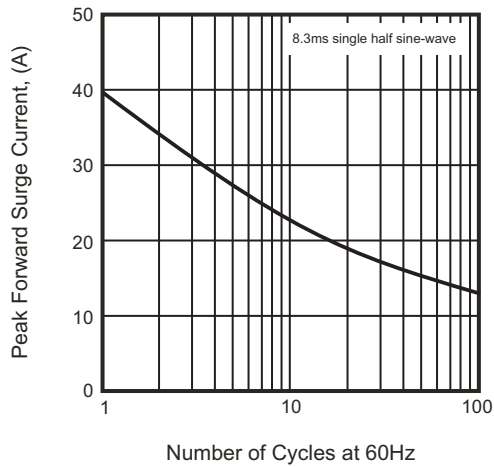


Fig.4 - Typical Reverse Characteristics

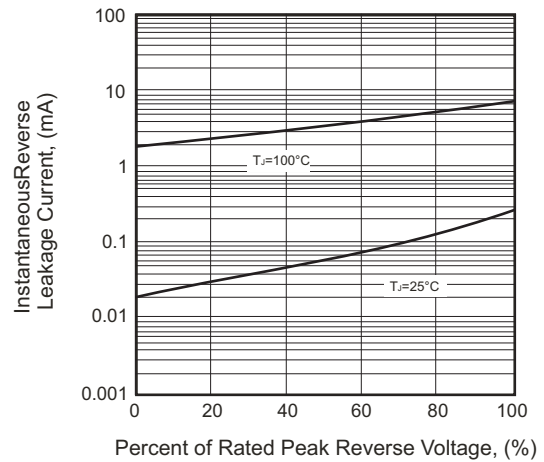
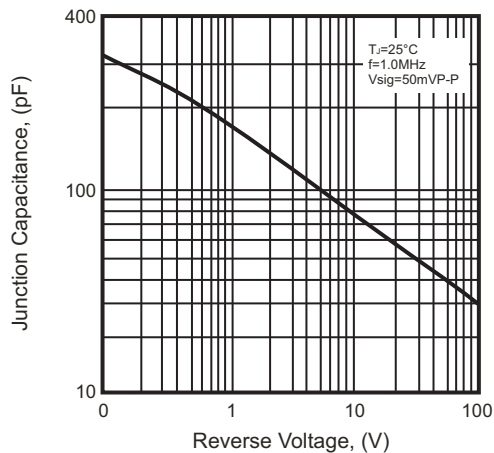
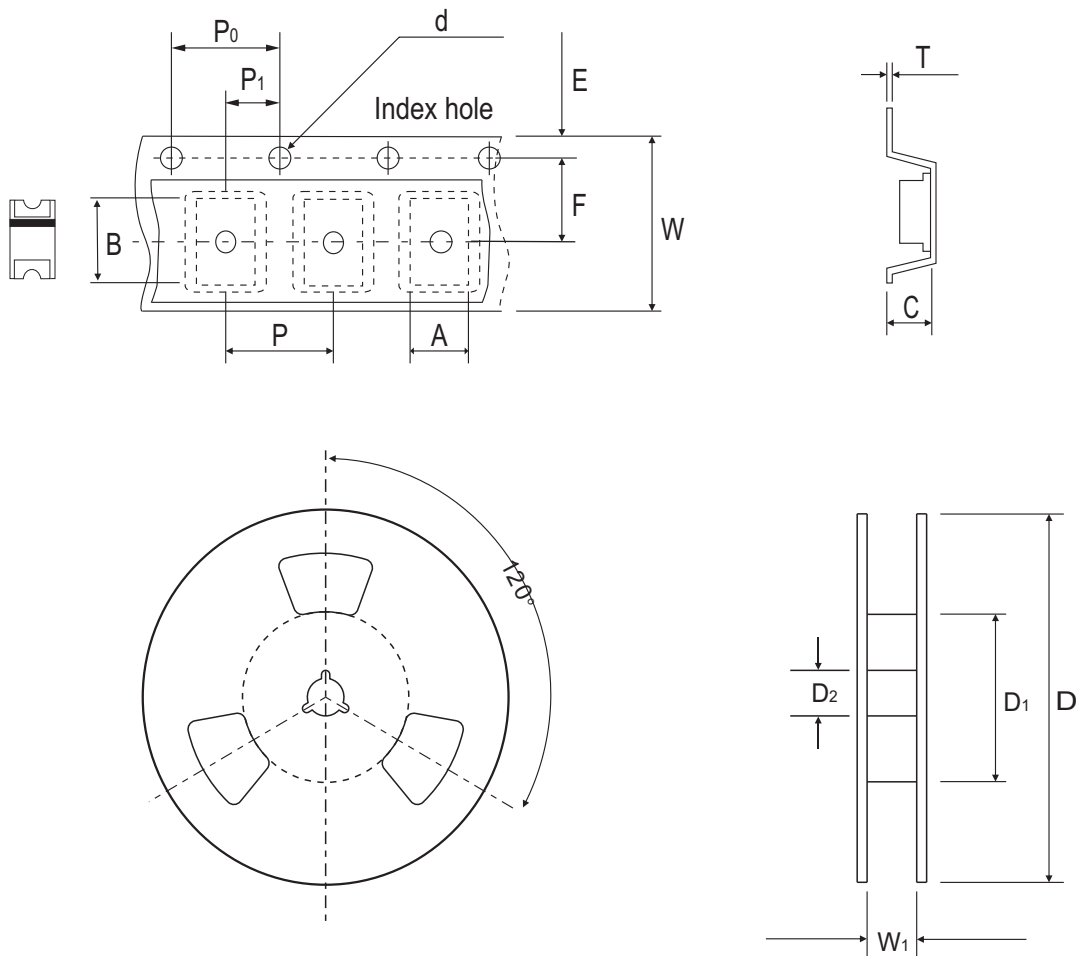


Fig.5 - Typical Junction Capacitance



Company reserves the right to improve product design, functions and reliability without notice.

Reel Taping Specification



SOD-123(Z2)	SYMBOL	A	B	C	d	D	D ₁	D ₂
	(mm)	2.20 ± 0.10	3.65 ± 0.10	1.28 ± 0.10	1.50 ± 0.10	178 ± 2.00	50.0 MIN.	13.0 ± 0.50
	(inch)	0.087 ± 0.004	0.144 ± 0.004	0.050 ± 0.004	0.059 ± 0.004	7.008 ± 0.079	1.969 MIN.	0.512 ± 0.020

SOD-123(Z2)	SYMBOL	E	F	P	P ₀	P ₁	W	W ₁
	(mm)	1.75 ± 0.10	5.50 ± 0.05	8.00 ± 0.10	4.00 ± 0.10	2.00 ± 0.10	12.00 ± 0.30	14.4 MAX.
	(inch)	0.069 ± 0.004	0.217 ± 0.002	0.315 ± 0.004	0.157 ± 0.004	0.079 ± 0.004	0.472 ± 0.012	0.567 MAX.

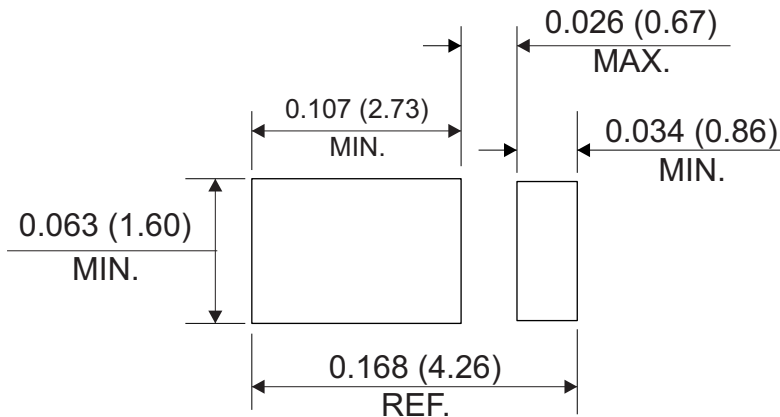
Company reserves the right to improve product design, functions and reliability without notice.

Marking Code

Part Number	Marking Code
CDBZ2240LL-HF	L4L



Suggested PAD Layout



- NOTES : 1. Dimensions in inches and (millimeter)
2. The Layout is just for reference.

Standard Packaging

Case Type	REEL PACK	
	REEL (pcs)	Reel Size (inch)
SOD-123(Z2)	3,000	7