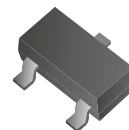


## CDSV3-217-G

**Reverse Voltage: 80 Volts**  
**Forward Current: 300 mA**  
**RoHS Device**



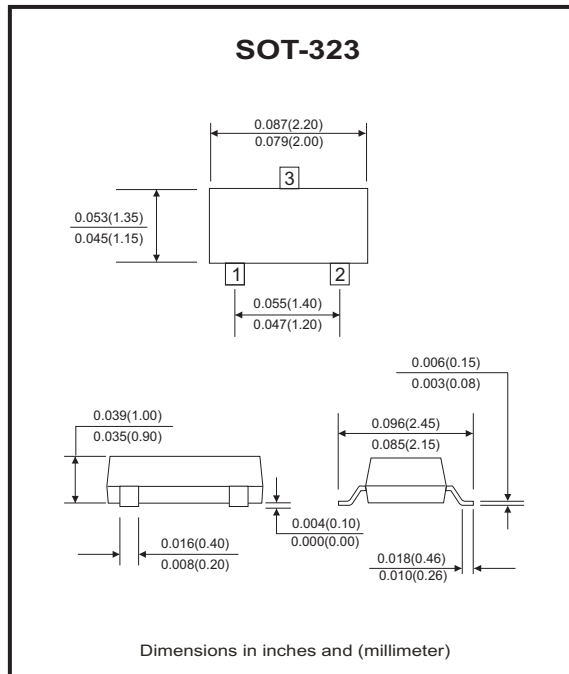
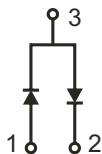
### Features

- Designed for mounting on small surface.
- High speed switching.
- High mounting capability, strong surge withstand, high reliability.

### Mechanical data

- Case: SOT-323, molded plastic.
- Terminals: Solder plated, solderable per MIL-STD-750, method 208.
- Weight: 0.006 gram(approx.).

### Circuit Diagram



### Maximum Ratings (at Ta=25°C unless otherwise noted)

Parameter	Conditions	Symbol	Min	Typ	Max	Unit
Peak reverse voltage		V <sub>RM</sub>			80	V
Reverse voltage		V <sub>R</sub>			80	V
Forward current		I <sub>FM</sub>			300	mA
Average forward current		I <sub>O</sub>			100	mA
Forward current, surge peak	T = 10ms	I <sub>FSM</sub>			1	A
Power dissipation		P <sub>D</sub>			200	mW
Storage temperature		T <sub>STG</sub>	-55		+150	°C
Junction temperature		T <sub>J</sub>			+150	°C

### Electrical Characteristics (at Ta=25°C unless otherwise noted)

Parameter	Conditions	Symbol	Min	Typ	Max	Unit
Forward voltage	I <sub>F</sub> = 100mA	V <sub>F</sub>			1.2	V
Reverse current	V <sub>R</sub> = 70V	I <sub>R</sub>			0.2	uA
Reverse breakdown voltage	I <sub>R</sub> = 100uA	V <sub>BR</sub>	80			V
Junction Capacitance	f=1MHz, and 0 VDC reverse voltage	C <sub>T</sub>			2	pF

## RATING AND CHARACTERISTIC CURVES (CDSV3-217-G)

Fig.1 - Forward characteristics

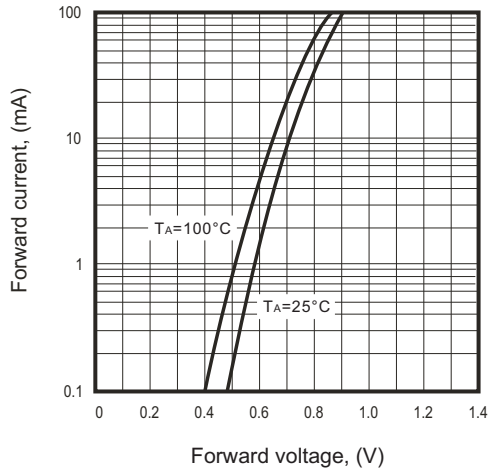


Fig.2 - Reverse characteristics

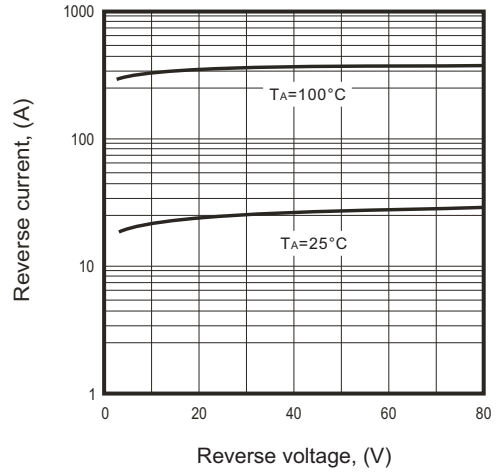


Fig.3 - Capacitance between terminals characteristics

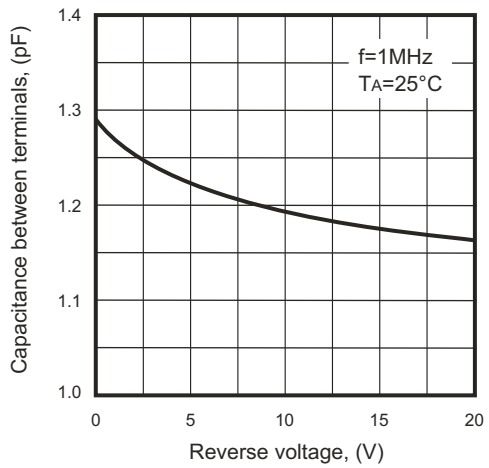
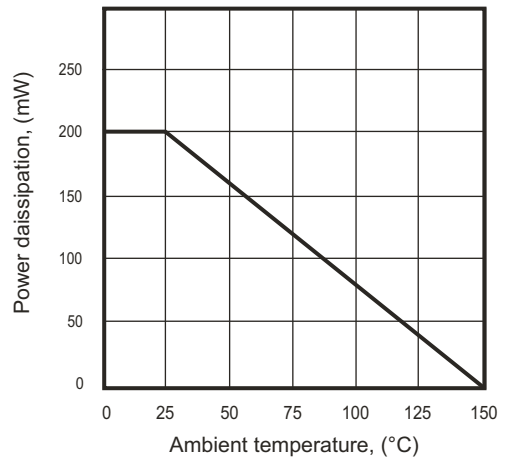
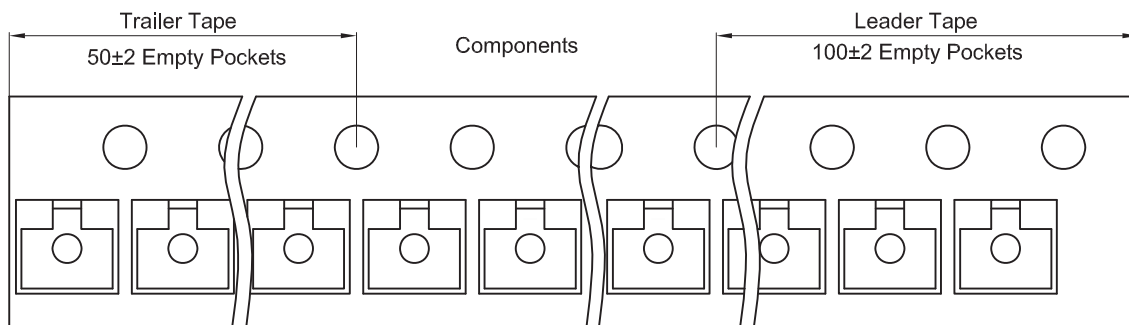
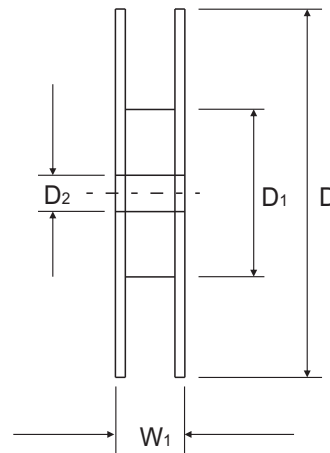
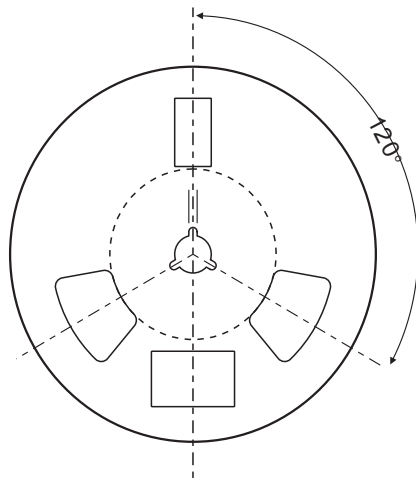
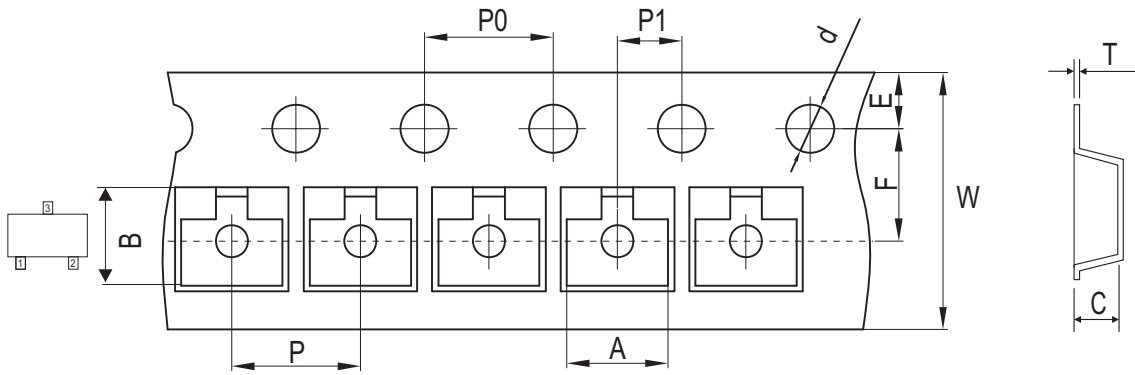


Fig.4 - Power derating curve



## Reel Taping Specification



SOT-323	SYMBOL	A	B	C	d	D	D1	D2
	(mm)	2.25 ± 0.05	2.55 ± 0.05	1.19 ± 0.05	1.55 ± 0.10	178 ± 2.00	54.40 ± 1.00	13.00 ± 1.00
	(inch)	0.089 ± 0.002	0.100 ± 0.002	0.047 ± 0.002	0.061 ± 0.004	7.008 ± 0.079	2.142 ± 0.039	0.512 ± 0.039

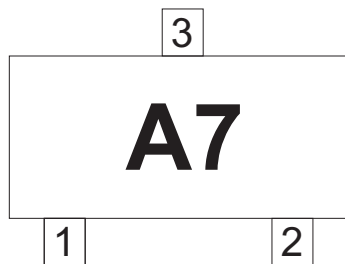
SOT-323	SYMBOL	E	F	P	P0	P1	W	W1
	(mm)	1.75 ± 0.10	3.50 ± 0.10	4.00 ± 0.10	4.00 ± 0.10	2.00 ± 0.10	8.00 + 0.30 / - 0.10	12.30 ± 1.00
	(inch)	0.069 ± 0.004	0.138 ± 0.004	0.157 ± 0.004	0.157 ± 0.004	0.079 ± 0.004	0.315 + 0.012 / - 0.004	0.484 ± 0.039

Company reserves the right to improve product design , functions and reliability without notice.

REV:C

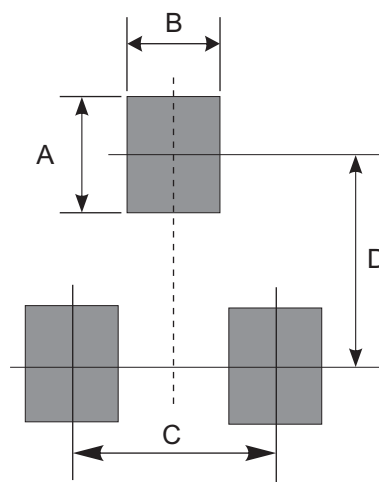
## Marking Code

Part Number	Marking Code
CDSV3-217-G	A7



## Suggested PAD Layout

SIZE	SOT-323	
	(mm)	(inch)
A	0.80	0.031
B	0.50	0.020
C	1.30	0.051
D	2.20	0.087



## Standard Packaging

Case Type	REEL PACK	
	REEL ( pcs )	Reel Size (inch)
SOT-323	3,000	7