



Micro Commercial Components

Micro Commercial Components
 20736 Marilla Street Chatsworth
 CA 91311
 Phone: (818) 701-4933
 Fax: (818) 701-4939

RA351 THRU RA357

Features

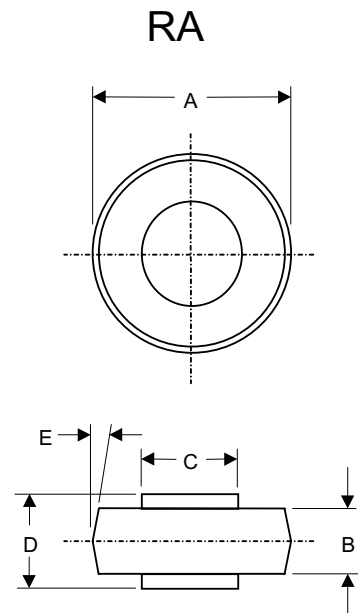
- Lead Free Finish/RoHS Compliant(Note 1) ("P" Suffix designates RoHS Compliant. See ordering information)
- Case Material: Molded Plastic. UL Flammability Classification Rating 94V-0 and MSL Rating 1
- Low Leakage and Low cost
- Low Forward Voltage Drop
- High Current Capability
- For Automotive Applications

Maximum Ratings

- Operating Temperature: -55°C to +150°C
- Storage Temperature: -55°C to +150°C

MCC Catalog Number	Device Marking	Maximum Recurrent Peak Reverse Voltage	Maximum RMS Voltage	Maximum DC Blocking Voltage
RA351	---	50V	35V	50V
RA352	---	100V	70V	100V
RA353	---	200V	140V	200V
RA354	---	400V	280V	400V
RA355	---	600V	420V	600V
RA356	---	800V	560V	800V
RA357	---	1000V	700V	1000V

35Amp Standard Rectifier 50 to 1000 Volts



Electrical Characteristics @ 25°C Unless Otherwise Specified

Average Forward Current	$I_{F(AV)}$	35A	$T_C = 125^\circ\text{C}$
Peak Forward Surge Current	I_{FSM}	500A	8.3ms, half sine
Maximum Instantaneous Forward Voltage	V_F	1.0V	$I_{FM} = 35\text{A};$ $T_J = 25^\circ\text{C}^*$
Maximum DC Reverse Current At Rated DC Blocking Voltage	I_R	5.0 μA 150 μA	$T_J = 25^\circ\text{C}$ $T_J = 100^\circ\text{C}$
Typical Junction Capacitance	C_J	100pF	Measured at 1.0MHz, $V_R=4.0\text{V}$

*Pulse test: Pulse width 300 μsec , Duty cycle 2%

Notes: 1. High Temperature Solder Exemption Applied, see EU Directive Annex Notes 7.

DIM	DIMENSIONS				NOTE
	INCHES		MM		
A	.380	.410	9.70	10.40	
B	.165	.185	4.20	4.70	
C	.215	.220	5.50	5.70	
D	.234	.250	6.00	6.40	
E	---	.5	---	.5	

RA351 thru RA357

Figure 1
Typical Forward Characteristics

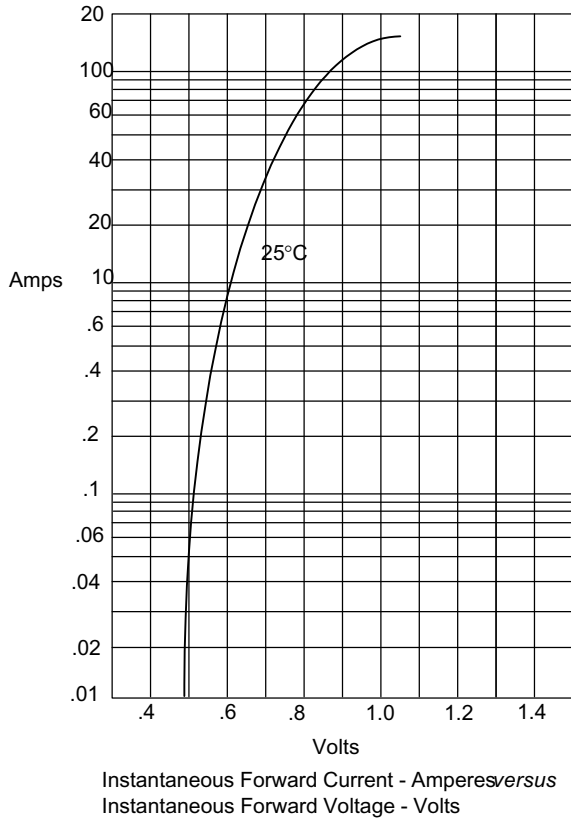


Figure 2
Forward Derating Curve

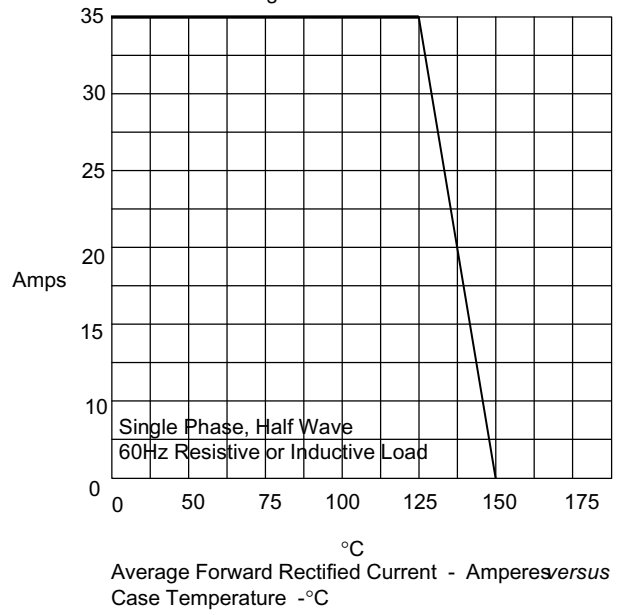


Figure 4
Peak Forward Surge Current

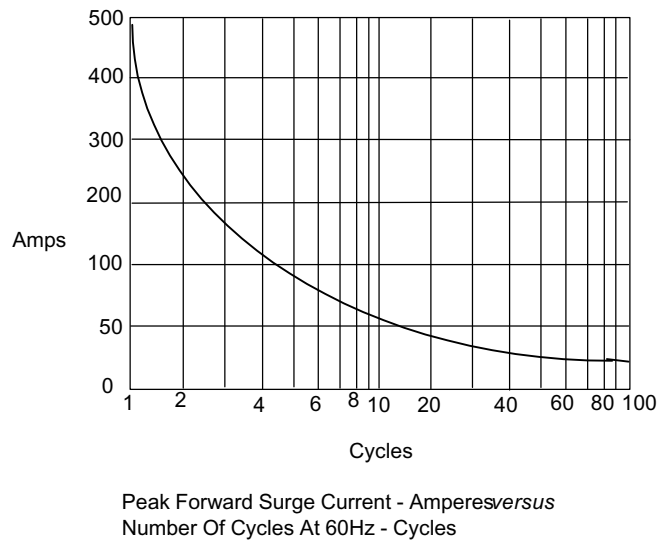
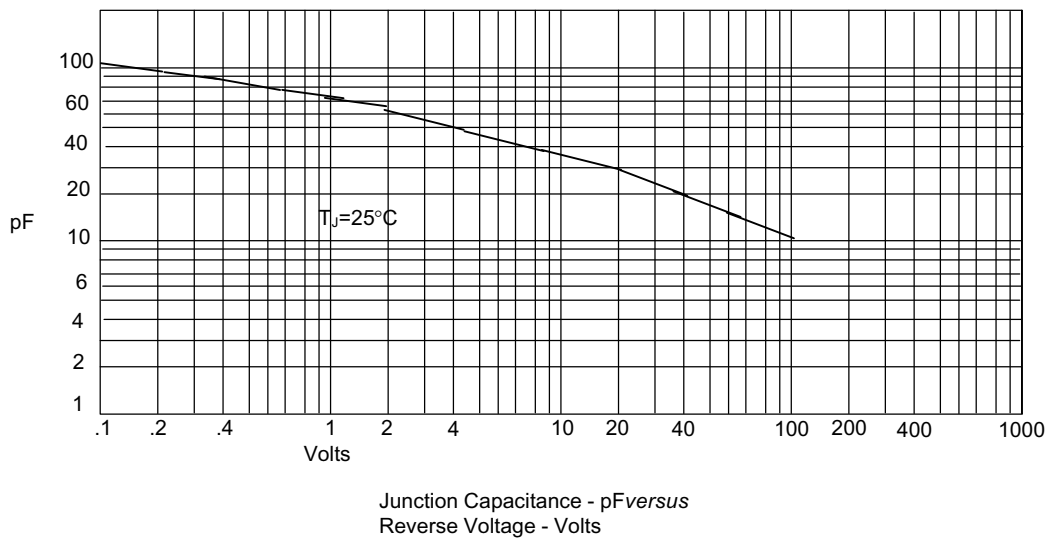


Figure 3
Junction Capacitance





Micro Commercial Components

Ordering Information

Device	Packing
(Part Number)-BP	Bulk;1Kpcs/Box

*****IMPORTANT NOTICE*****

Micro Commercial Components Corp. reserves the right to make changes without further notice to any product herein to make corrections, modifications, enhancements, improvements, or other changes. *Micro Commercial Components Corp.* does not assume any liability arising out of the application or use of any product described herein; neither does it convey any license under its patent rights, nor the rights of others. The user of products in such applications shall assume all risks of such use and will agree to hold *Micro Commercial Components Corp.* and all the companies whose products are represented on our website, harmless against all damages.

*****APPLICATIONS DISCLAIMER*****

Products offer by *Micro Commercial Components Corp.* are not intended for use in Medical, Aerospace or Military Applications.