

# GSM3452

## 30V N-Channel Enhancement Mode MOSFET

### Product Description

GSM3452, N-Channel enhancement mode MOSFET, uses Advanced Trench Technology to provide excellent  $R_{DS(ON)}$ , low gate charge.

These devices are particularly suited for low voltage power management, and low in-line power loss are needed in commercial industrial surface mount applications.

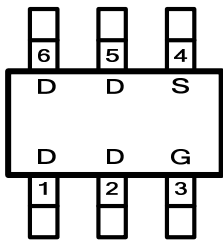
### Features

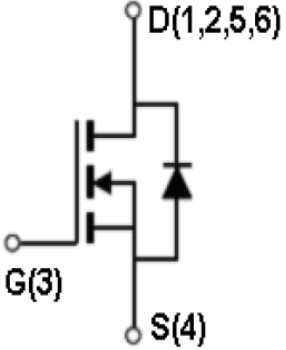
- 30V/5.6A,  $R_{DS(ON)}=48m\Omega@V_{GS}=10V$
- 30V/4.2A,  $R_{DS(ON)}=52m\Omega@V_{GS}=4.5V$
- 30V/3.0A,  $R_{DS(ON)}=58m\Omega@V_{GS}=2.5V$
- Super high density cell design for extremely low  $R_{DS(ON)}$
- TSOP-6 package design

### Applications

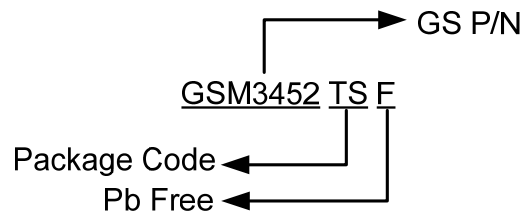
- Power Management in Note book
- LED Display
- DC-DC System
- LCD Panel

### Packages & Pin Assignments

GSM3452TSF(TSOP-6)	
	
Pin	Description
1	Drain
2	Drain
3	Gate
4	Source
5	Drain
6	Drain

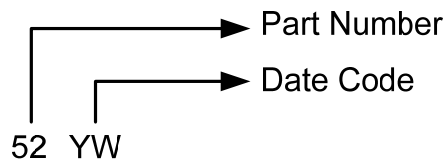


## Ordering Information



Part Number	Package	Quantity Reel
GSM3452TSF	TSOP-6	3000 PCS

## Marking Information



## Absolute Maximum Ratings

$T_A=25^{\circ}\text{C}$ , unless otherwise noted

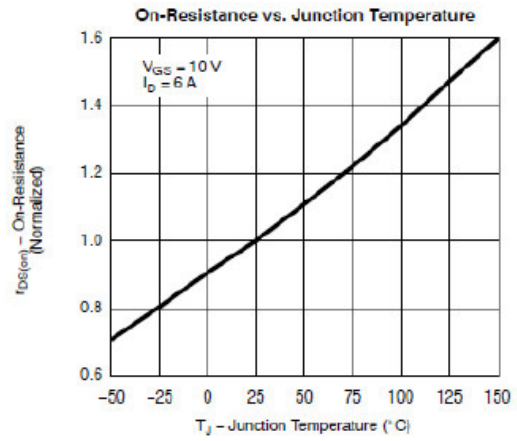
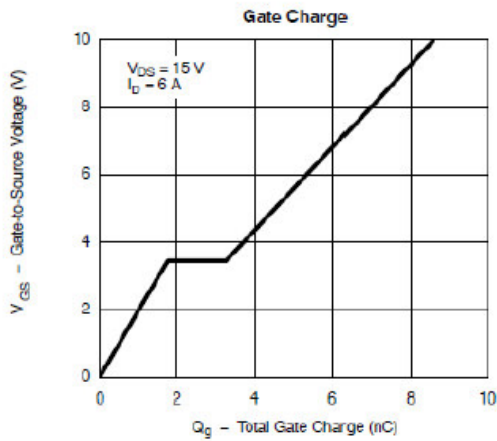
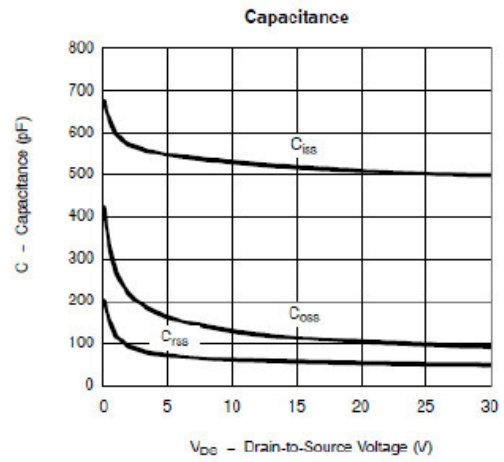
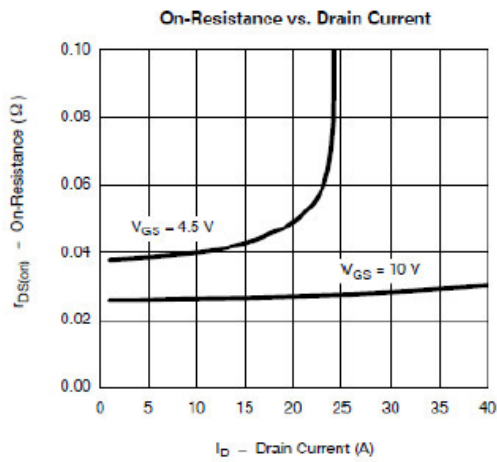
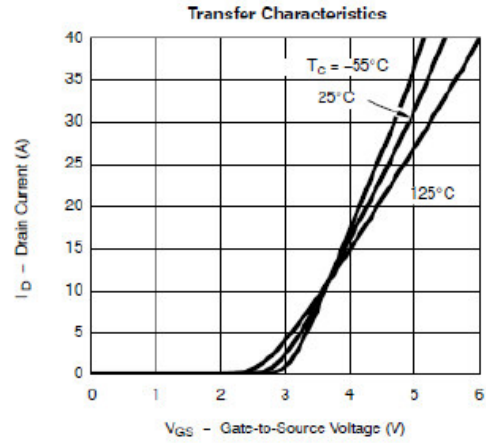
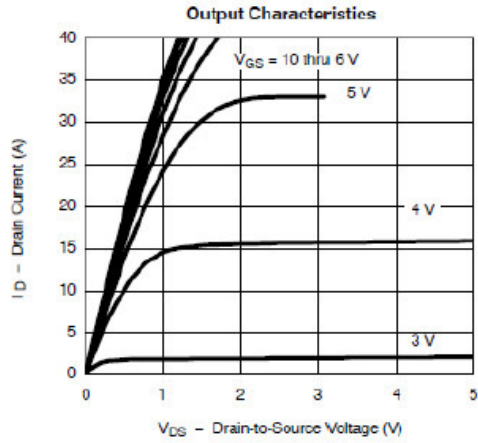
Symbol	Parameter	Typical	Unit	
$V_{DSS}$	Drain-Source Voltage	30	V	
$V_{GSS}$	Gate-Source Voltage	$\pm 12$	V	
$I_D$	Continuous Drain Current( $T_J=150^{\circ}\text{C}$ )	$T_A=25^{\circ}\text{C}$	5.6	A
		$T_A=70^{\circ}\text{C}$	3.0	
$I_{DM}$	Pulsed Drain Current	30	A	
$I_S$	Continuous Source Current(Diode Conduction)	1.7	A	
$P_D$	Power Dissipation	$T_A=25^{\circ}\text{C}$	2.0	W
		$T_A=70^{\circ}\text{C}$	1.3	
$T_J$	Operating Junction Temperature	150	$^{\circ}\text{C}$	
$T_{STG}$	Storage Temperature Range	-55/150	$^{\circ}\text{C}$	
$R_{\theta JA}$	Thermal Resistance-Junction to Ambient	120	$^{\circ}\text{C}/\text{W}$	

## Electrical Characteristics

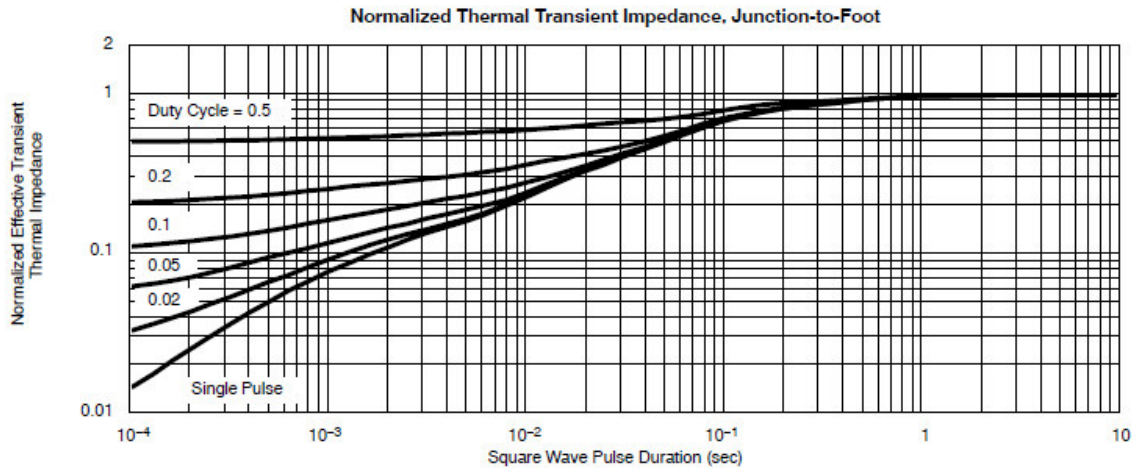
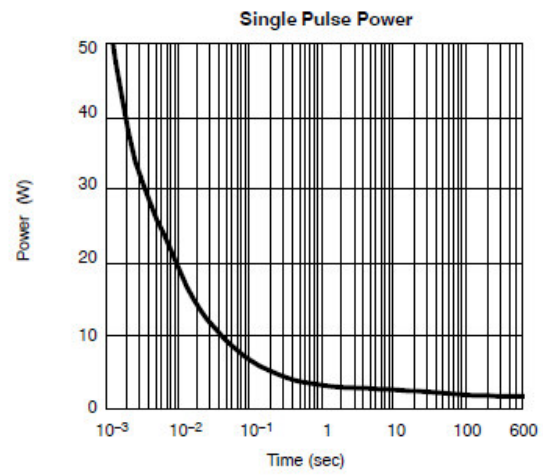
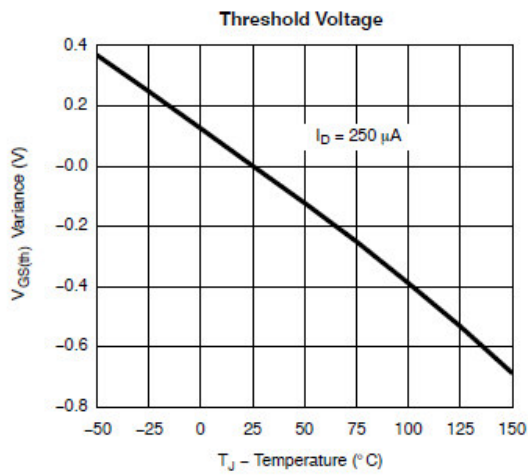
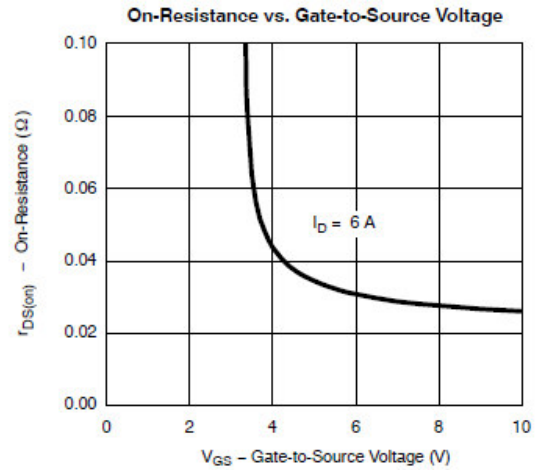
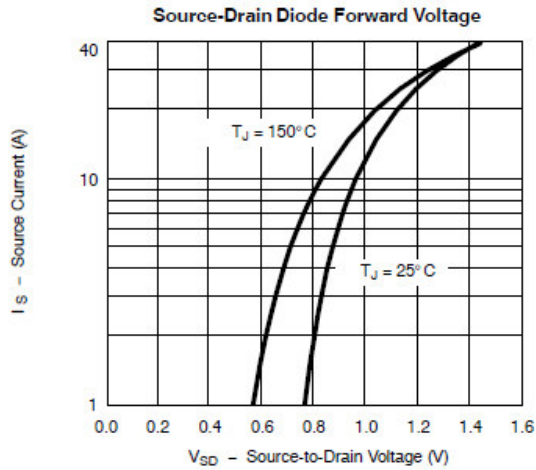
T<sub>A</sub>=25°C, unless otherwise noted

Symbol	Parameter	Conditions	Min	Typ	Max	Unit
<b>Static</b>						
V <sub>(BR)DSS</sub>	Drain-Source Breakdown Voltage	V <sub>GS</sub> =0V, I <sub>D</sub> =250uA	30			V
V <sub>GS(th)</sub>	Gate Threshold Voltage	V <sub>DS</sub> =V <sub>GS</sub> , I <sub>D</sub> =250uA	0.4		1.0	
I <sub>GSS</sub>	Gate Leakage Current	V <sub>DS</sub> =0V, V <sub>GS</sub> =±12V			±100	nA
I <sub>DSS</sub>	Zero Gate Voltage Drain Current	V <sub>DS</sub> =24V, V <sub>GS</sub> =0V			1	uA
		V <sub>DS</sub> =24V, V <sub>GS</sub> =0V, T <sub>J</sub> =85°C			30	
I <sub>D(on)</sub>	On-State Drain Current	V <sub>DS</sub> ≥ 4.5V, V <sub>GS</sub> =10V	6			A
R <sub>DS(on)</sub>	Drain-Source On-Resistance	V <sub>GS</sub> =10V, I <sub>D</sub> =5.6A		40	48	mΩ
		V <sub>GS</sub> =4.5V, I <sub>D</sub> =4.2A		44	52	
		V <sub>GS</sub> =2.5V, I <sub>D</sub> =3.0A		48	58	
g <sub>FS</sub>	Forward Transconductance	V <sub>DS</sub> =4.5V, I <sub>D</sub> =2.5A		8		S
V <sub>SD</sub>	Diode Forward Voltage	I <sub>S</sub> =2.3A, V <sub>GS</sub> =0V		0.8	1.2	V
<b>Dynamic</b>						
Q <sub>g</sub>	Total Gate Charge	V <sub>DS</sub> =15V, V <sub>GS</sub> =10V, I <sub>D</sub> =2.6A		3.0	4.5	nC
Q <sub>gs</sub>	Gate-Source Charge			1.6		
Q <sub>gd</sub>	Gate-Drain Charge			0.6		
C <sub>iss</sub>	Input Capacitance	V <sub>DS</sub> =15V, V <sub>GS</sub> =0V, f=1MHz		320		pF
C <sub>oss</sub>	Output Capacitance			70		
C <sub>rss</sub>	Reverse Transfer Capacitance			30		
t <sub>d(on)</sub>	Turn-On Time	V <sub>DD</sub> =15V, R <sub>L</sub> =15Ω, I <sub>D</sub> =1.0A, V <sub>GEN</sub> =10V, R <sub>G</sub> =6Ω		8	12	ns
t <sub>r</sub>				12	18	
t <sub>d(off)</sub>	Turn-Off Time			15	30	
t <sub>f</sub>				8	15	

## Typical Performance Characteristics

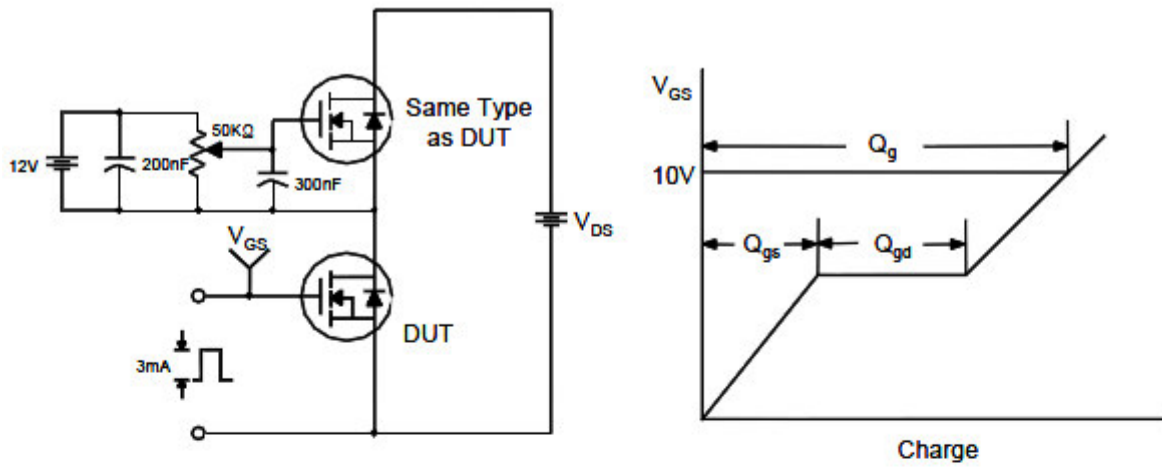


## Typical Performance Characteristics (continue)

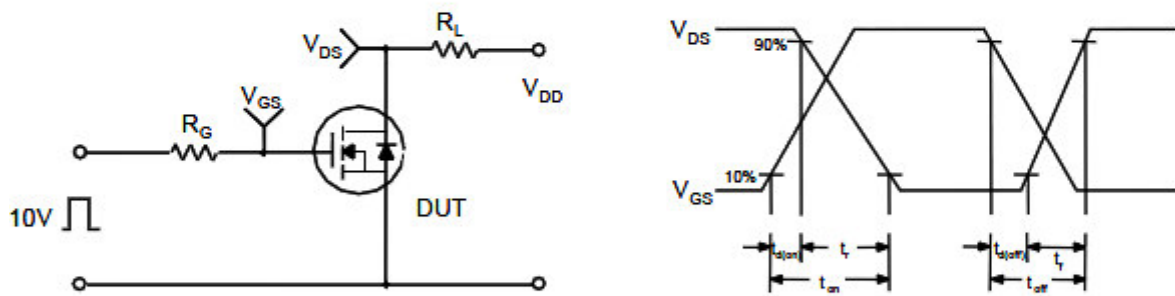


## Typical Performance Characteristics (continue)

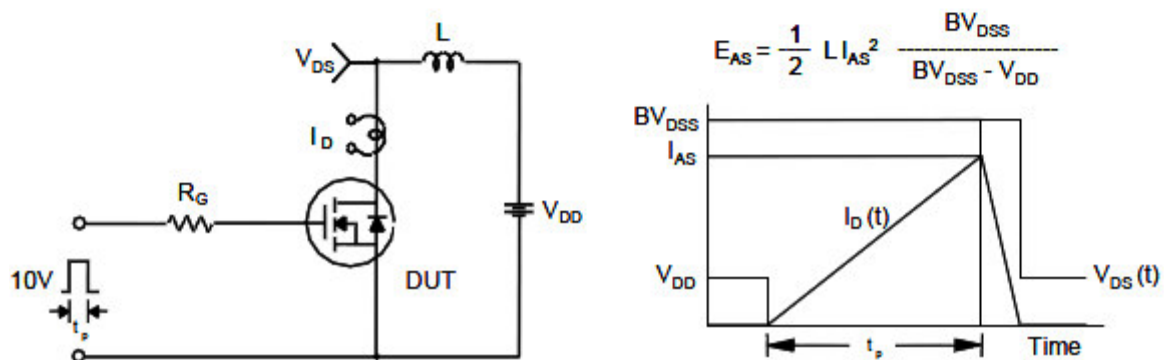
Gate Charge Test Circuit & Waveform



Resistive Switching Test Circuit & Waveforms

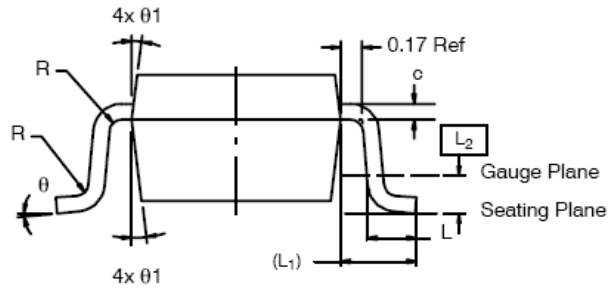
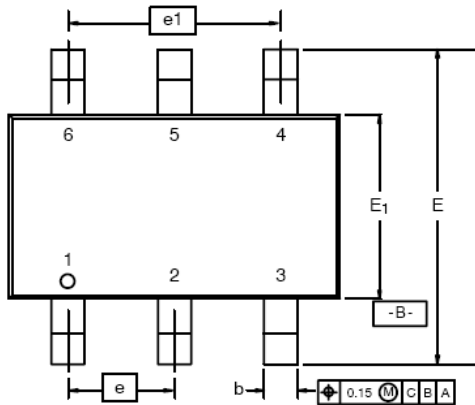


Unclamped Inductive Switching Test Circuit & Waveforms



Package Dimension

# TSOP-6







Symbol	Dimensions In Millimeters			Dimensions In Inches		
	Min	Nom	Max	Min	Nom	Max
<b>A</b>	0.91	-	1.10	0.036	-	0.043
<b>A1</b>	0.01	-	0.10	0.0004	-	0.004
<b>A2</b>	0.90	-	1.00	0.035	0.038	0.039
<b>b</b>	0.30	0.32	0.45	0.012	0.013	0.018
<b>c</b>	0.10	0.15	0.20	0.004	0.006	0.008
<b>D</b>	2.95	3.05	3.10	0.116	0.120	0.122
<b>E</b>	2.70	2.85	2.98	0.106	0.112	0.117
<b>E1</b>	1.55	1.65	1.70	0.061	0.065	0.067
<b>e</b>	1.00 BSC			0.0394 BSC		
<b>e1</b>	1.90	2.00	2.10	0.075	0.080	0.085
<b>L</b>	0.35	-	0.50	0.014	-	0.020
<b>L1</b>	0.60 Ref			0.024 Ref		
<b>L2</b>	0.25 BSC			0.010 BSC		
<b>R</b>	0.10	-	-	0.004	-	-
<b>θ</b>	0°	4°	8°	0°	4°	8°
<b>θ1</b>	7° Nom			7° Nom		



## NOTICE

Information furnished is believed to be accurate and reliable. However Globaltech Semiconductor assumes no responsibility for the consequences of use of such information nor for any infringement of patents or other rights of third parties, which may result from its use. No license is granted by implication or otherwise under any patent or patent rights of Globaltech Semiconductor. Specifications mentioned in this publication are subject to change without notice. This publication supersedes and replaces all information without express written approval of Globaltech Semiconductor.

## CONTACT US

GS Headquarter	
	4F.,No.43-1,Lane11,Sec.6,Minquan E.Rd NeiHu District Taipei City 114, Taiwan (R.O.C)
	886-2-2657-9980
	886-2-2657-3630
	sales_twn@gs-power.com

Wu-Xi Branch	
	No.21 Changjiang Rd., WND, Wuxi, Jiangsu, China (INFO. & TECH. Science Park Building A 210 Room)
	86-510-85217051
	86-510-85211238
	sales_cn@gs-power.com

RD Division	
	824 Bolton Drive Milpitas. CA. 95035
	1-408-457-0587