



SB540L

LOW VF SCHOTTKY RECTIFIER

VOLTAGE 40 Volts **CURRENT** 5 Amperes

FEATURES

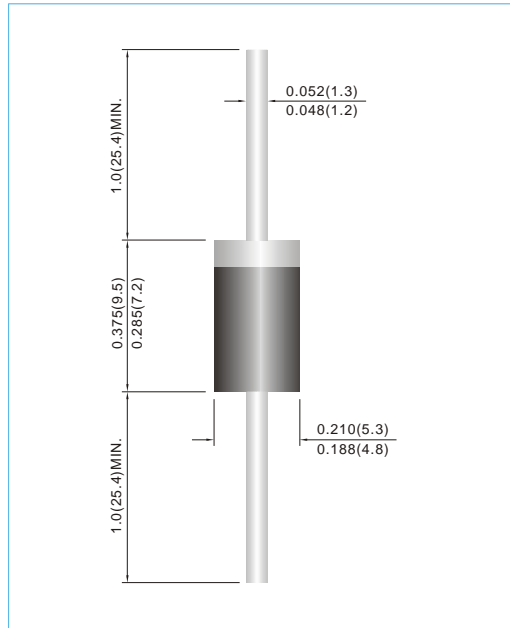
- Plastic package has Underwriters Laboratory Flammability Classification 94V-O utilizing Flame Retardant Epoxy Molding Compound.
- Exceeds environmental standards of MIL-S-19500/228
- For use in low voltage, high frequency inverters, free wheeling, and polarity protection applications.
- Lead free in comply with EU RoHS 2002/95/EC directives
- ESD Passed devices : Air mode 15KV, human body mode 8KV

MECHANICAL DATA

- Case: DO-201AD Molded plastic
- Terminals: Axial leads, solderable per MIL-STD-750, Method 2026
- Polarity : Color band denotes cathode end
- Mounting Position: Any
- Weight: 0.0395 ounces, 1.122 grams

DO-201AD

Unit : inch(mm)



MAXIMUM RATINGS(T_A=25°C unless otherwise noted)

PARAMETER	SYMBOL	VALUE	UNIT
Maximum repetitive peak reverse voltage	V _{RRM}	40	V
Maximum average forward rectified current	I _{F(AV)}	5	A
Peak forward surge current 8.3ms single half sine-wave superimposed on rated load	I _{FSM}	150	A
Typical thermal resistance (Notes 1)	R _{θJA}	60	°C/W
(Notes 2)	R _{θJL}	25	
Operating junction temperature range	T _J	-55 to + 150	°C
Storage temperature range	T _{STG}	-55 to + 150	°C

ELECTRICAL CHARACTERISTICS(T_A=25°C unless otherwise noted)

PARAMETER	SYMBOL	TEST CONDITIONS	MIN.	TYP.	MAX.	UNIT
Breakdown voltage	V _{BR}	I _R =1mA	40	-	-	V
Instantaneous forward voltage	V _F	I _F =1A	-	0.35	-	V
		I _F =3A	-	0.40	-	
		I _F =5A	-	0.44	0.49	
		I _F =1A	-	0.21	-	V
		I _F =3A	-	0.29	-	
		I _F =5A	-	0.35	-	
Reverse current	I _R	V _R =32V	-	30	-	μA
		V _R =40V	T _J =25°C	-	-	200
		T _J =125°C	-	27	-	mA

Notes :

1. Thermal resistance from junction to ambient 10 mm lead length mounted on PCB with min. pad layout.
2. Thermal resistance from junction to lead at 10 mm lead length with both leads attached to infinite heatsinks.



SB540L

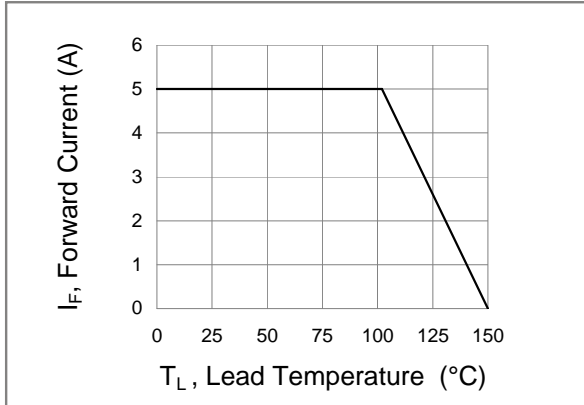


Fig.1 Forward Current Derating Curve

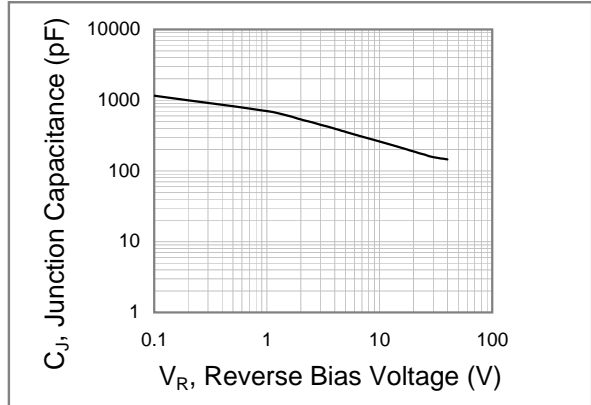


Fig.2 Typical Junction Capacitance

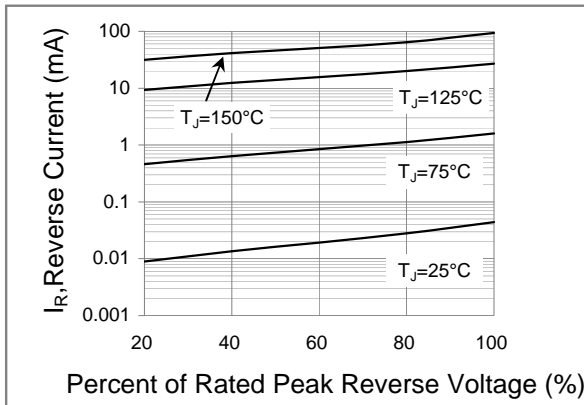


Fig.3 Typical Reverse Characteristics

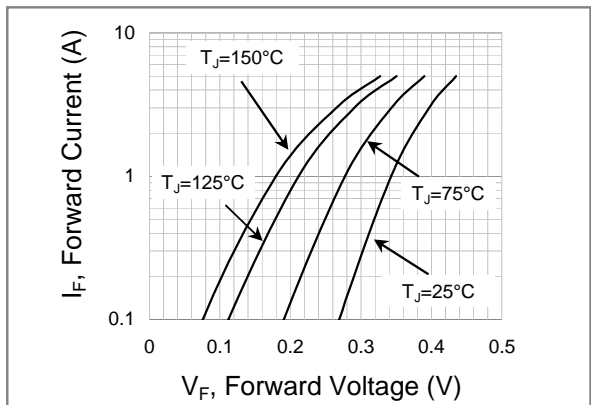


Fig.4 Typical Forward Characteristics



SB540L

For example :

RB500V-40_R2_00001



Packing Code XX				Version Code XXXXX		
Packing type	1 st Code	Packing size code	2 nd Code	HF or RoHS	1 st Code	2 nd ~5 th Code
T/B	A	N/A	0	HF	0	serial number
T/R	R	7"	1	RoHS	1	serial number
B/P	B	13"	2			
T/P	T	26mm	X			
TRR	S	52mm	Y			
TRL	L	PBCU	U			
FORMING	F	PBCD	D			

Part No_packing code_Version

SB540L_R2_00001

SB540L_R2_10001