



Micro Commercial Components



Micro Commercial Components
 20736 Marilla Street Chatsworth
 CA 91311
 Phone: (818) 701-4933
 Fax: (818) 701-4939

**PB805
 THRU
 PB810**

Features

- Mounting Hole For #6 Screw
- Low Forward Voltage and Any Mounting Position
- Surge Overload Rating Of 250 Amps
- Silver Plated Copper Leads
- Lead Free Finish/RoHS Compliant (NOTE 1)("P" Suffix designates RoHS Compliant. See ordering information)
- Case Material: Molded Plastic. UL Flammability Classification Rating 94V-0 and MSL Rating 1

Maximum Ratings

- Mounting Torque: 4.5 in-lbs Maximum
- Operating Temperature: -55°C to +125°C
- Storage Temperature: -55°C to +150°C
- UL Recognized File # E165989

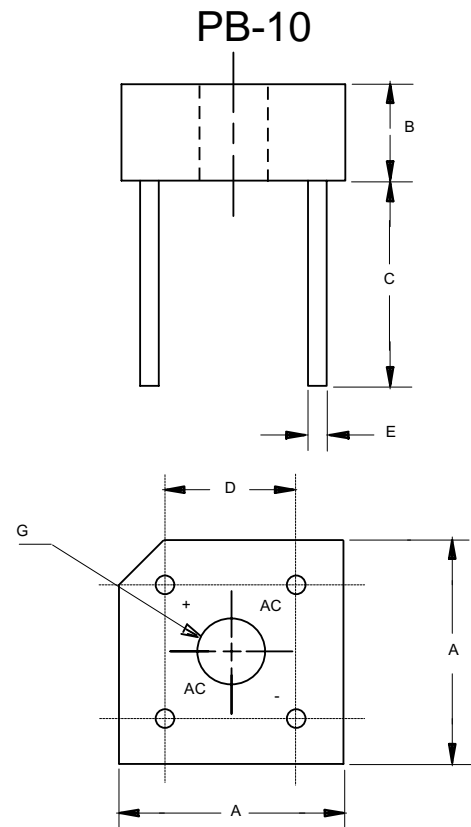
Microsemi Catalog Number	Device Marking	Maximum Recurrent Peak Reverse Voltage	Maximum RMS Voltage	Maximum DC Blocking Voltage
PB805	PB805	50V	35V	50V
PB81	PB81	100V	70V	100V
PB82	PB82	200V	140V	200V
PB84	PB84	400V	280V	400V
PB86	PB86	600V	420V	600V
PB88	PB88	800V	560V	800V
PB810	PB810	1000V	700V	1000V

Electrical Characteristics @ 25°C Unless Otherwise Specified

Average Forward Current	$I_{F(AV)}$	8.0A	$T_C = 50^\circ C$
Peak Forward Surge Current	I_{FSM}	250A	8.3ms, half sine
Maximum Forward Voltage Drop Per Element	V_F	1.1V	$I_F = 4.0A;$ $T_a = 25^\circ C$
Maximum DC Reverse Current At Rated DC Blocking Voltage	I_R	10µA 0.5 mA	$T_a = 25^\circ C$ $T_a = 100^\circ C$

Notes: 1. High Temperature Solder Exemption Applied, see EU Directive Annex Notes 7

**8 Amp Single Phase
 Bridge Rectifier
 50 to 1000 Volts**



DIM	INCHES		MM		NOTE
	MIN	MAX	MIN	MAX	
A	.730	.770	18.50	19.56	2PL
B	.250	.300	6.35	7.60	
C	.750	---	19.10	---	
D	.480	.520	12.20	13.20	2PL
E	.050		1.27		4PL/TYP
G	HOLE FOR NO 6 SCREW				

PB805 thru PB810

FIG.1 – MAXIMUM NON-REPETITIVE FORWARD SURGE CURRENT – PER ELEMENT

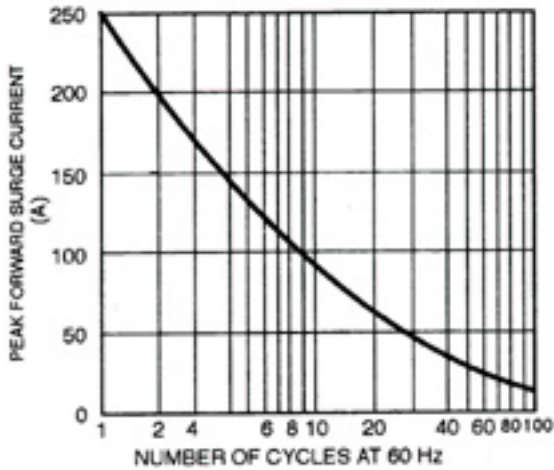


FIG.2 – TYPICAL FORWARD OUTPUT CURRENT DERATING CURVE

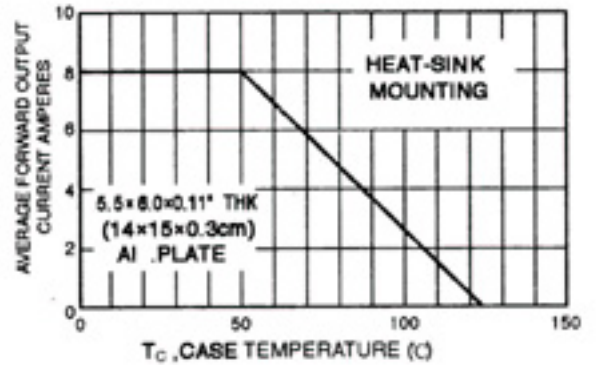


FIG.3 – TYPICAL FORWARD CHARACTERISTICS – PER ELEMENT

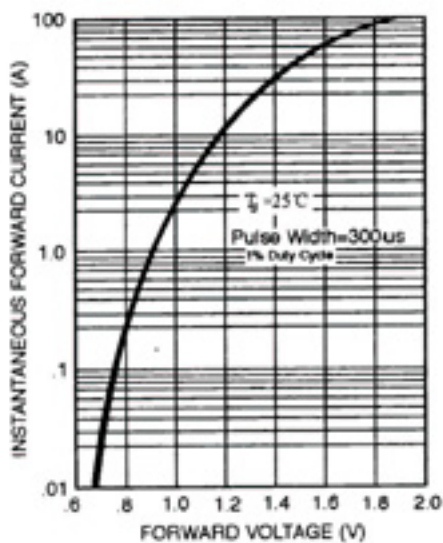
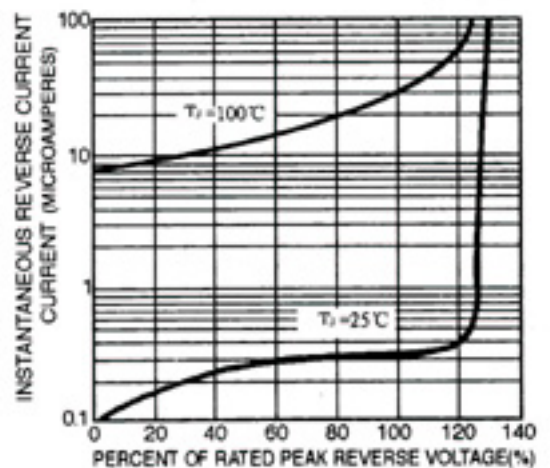


FIG.4 – TYPICAL REVERSE CHARACTERISTICS PER ELEMENT





Micro Commercial Components

Ordering Information

Device	Packing
(Part Number)-BP	Bulk;1.6k/Ctn

IMPORTANT NOTICE

Micro Commercial Components Corp. reserves the right to make changes without further notice to any product herein to make corrections, modifications, enhancements, improvements, or other changes. **Micro Commercial Components Corp.** does not assume any liability arising out of the application or use of any product described herein; neither does it convey any license under its patent rights, nor the rights of others. The user of products in such applications shall assume all risks of such use and will agree to hold **Micro Commercial Components Corp.** and all the companies whose products are represented on our website, harmless against all damages.

LIFE SUPPORT

MCC's products are not authorized for use as critical components in life support devices or systems without the express written approval of Micro Commercial Components Corporation.

CUSTOMER AWARENESS

Counterfeiting of semiconductor parts is a growing problem in the industry. Micro Commercial Components (MCC) is taking strong measures to protect ourselves and our customers from the proliferation of counterfeit parts. MCC strongly encourages customers to purchase MCC parts either directly from MCC or from Authorized MCC Distributors who are listed by country on our web page cited below. Products customers buy either from MCC directly or from Authorized MCC Distributors are genuine parts, have full traceability, meet MCC's quality standards for handling and storage. **MCC will not provide any warranty coverage or other assistance for parts bought from Unauthorized Sources.** MCC is committed to combat this global problem and encourage our customers to do their part in stopping this practice by buying direct or from authorized distributors.

www.mccsemi.com