

0.5W SMD Zener Diodes

Features

- Planar Die Construction
- 0.5W Power Dissipation
- Zener Voltage: 2.4V to 75V
- Ideally Suited for Automated Assembly Processes
- RoHS Compliant



Micro-Melf



Mechanical Data

Case:	Molded Glass Micro-Melf
Terminals:	Solderable per MIL-STD-750, Method 2026
Polarity:	Color band denotes cathode end
Weight:	Approx. 0.01 grams

Maximum Ratings ($T_{Ambient}=25^{\circ}C$ unless noted otherwise)

Symbol	Description	Value	Unit	Conditions
P_{tot}	Power Dissipation at Ta=25°C	500	mW	
V_F	Forward Voltage	1.5	V	I _F =200mA
R_{thJA}	Thermal Resistance Junction to Ambient Air	0.3	°C/mW	
T_J	Junction Temperature	175	°C	
T_{STG}	Storage Temperature Range	-65 to +175	°C	

Note: Valid provided that leads at a distance of 8mm from case are kept at ambient temperature.

0.5W SMD Zener Diodes

TMZ55C2V4-TMZ55C75

Electrical Characteristics ($T_{Ambient}=25^{\circ}C$ unless noted otherwise)

0.5W	Normal Zener Voltage @ IZT			Test Current	Max. Zener Impedance (Ω)			Maximum Reverse Leakage Current IR @ VR	
	Nom.	Min.	Max.		ZZT @IZT	ZZk @Izk	Izk(mA)	IR(μ A)	VR(V)
P/N	VZ(V)	VZ(V)	VZ(V)	IZT(mA)	ZZT @IZT	ZZk @Izk	Izk(mA)	IR(μ A)	VR(V)
TZM55C2V4	2.4	2.28	2.56	5	85	600	1	50	1
TZM55C2V7	2.7	2.5	2.9	5	85	600	1	10	1
TZM55C3V0	3.0	2.8	3.2	5	85	600	1	4	1
TZM55C3V3	3.3	3.1	3.5	5	85	600	1	2	1
TZM55C3V6	3.6	3.4	3.8	5	85	600	1	2	1
TZM55C3V9	3.9	3.7	4.1	5	85	600	1	2	1
TZM55C4V3	4.3	4.0	4.6	5	75	600	1	1	1
TZM55C4V7	4.7	4.4	5.0	5	60	600	1	0.5	1
TZM55C5V1	5.1	4.8	5.4	5	35	550	1	0.1	1
TZM55C5V6	5.6	5.2	6.0	5	25	450	1	0.1	1
TZM55C6V2	6.2	5.8	6.6	5	10	200	1	0.1	2
TZM55C6V8	6.8	6.4	7.2	5	8	150	1	0.1	3
TZM55C7V5	7.5	7.0	7.9	5	7	50	1	0.1	5
TZM55C8V2	8.2	7.7	8.7	5	7	50	1	0.1	6
TZM55C9V1	9.1	8.5	9.6	5	10	50	1	0.1	7
TZM55C10	10	9.4	10.6	5	15	70	1	0.1	7.5
TZM55C11	11	10.4	11.6	5	20	70	1	0.1	8.5
TZM55C12	12	11.4	12.7	5	20	90	1	0.1	9
TZM55C13	13	12.4	14.1	5	26	110	1	0.1	10
TZM55C15	15	13.8	15.6	5	30	110	1	0.1	11
TZM55C16	16	15.3	17.1	5	40	170	1	0.1	12
TZM55C18	18	16.8	19.1	5	50	170	1	0.1	14
TZM55C20	20	18.8	21.2	5	55	220	1	0.1	15
TZM55C22	22	20.8	23.3	5	55	220	1	0.1	17
TZM55C24	24	22.8	25.6	5	80	220	1	0.1	18
TZM55C27	27	25.1	28.9	5	80	220	1	0.1	20
TZM55C30	30	28	32	5	80	220	1	0.1	22
TZM55C33	33	31	35	5	80	220	1	0.1	24
TZM55C36	36	34	38	5	80	220	1	0.1	27
TZM55C39	39	37	41	2.5	90	500	1	0.1	30
TZM55C43	43	40	46	2.5	90	600	1	0.1	33
TZM55C47	47	44	50	2.5	110	700	1	0.1	36
TZM55C51	51	48	54	2.5	125	700	0.5	0.1	39
TZM55C56	56	52	60	2.5	135	1000	0.5	0.1	43

0.5W SMD Zener Diodes

TMZ55C2V4-TMZ55C75

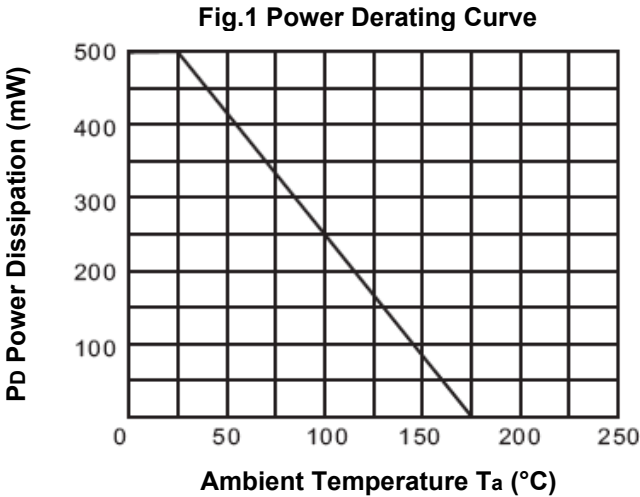
0.5W	Normal Zener Voltage @ IZT			Test Current	Max. Zener Impedance (Ω)			Maximum Reverse Leakage Current IR @ VR	
	Nom.	Min.	Max.		ZZT @IZT	ZZk @Izk	Izk(mA)	IR(μA)	VR(V)
P/N	VZ(V)	VZ(V)	VZ(V)	IZT(mA)	ZZT @IZT	ZZk @Izk	Izk(mA)	IR(μA)	VR(V)
TZM55C62	62	58	66	2.5	150	1000	0.5	0.1	47
TZM55C68	68	64	72	2.5	200	1000	0.5	0.1	51
TZM55C75	75	70	79	2.5	250	1500	0.5	0.1	56

Note:

Standard voltage tolerance is ±5% and:

- Suffix "A" for ±1%
- Suffix "B" for ±2%
- Suffix "C" for ±5%
- Suffix "D" for ±20%

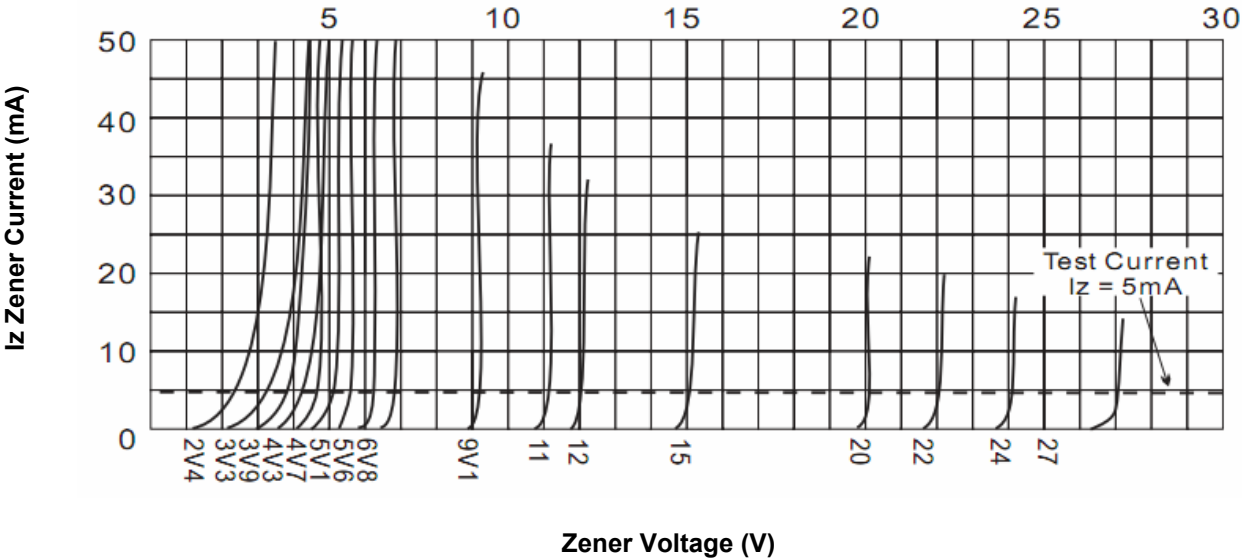
Typical Characteristics Curves



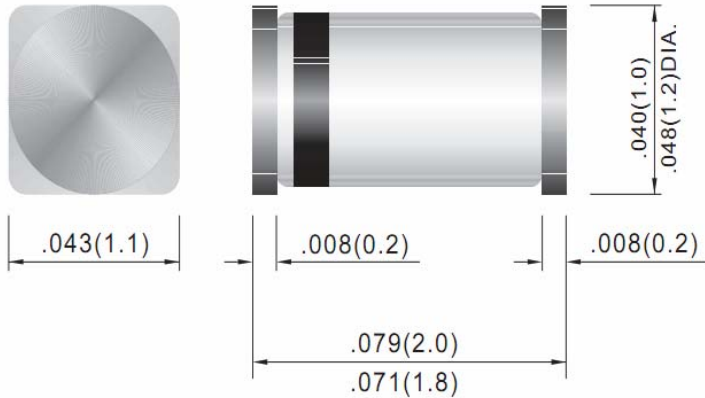
0.5W SMD Zener Diodes

TMZ55C2V4-TMZ55C75

Fig.2 Breakdown Characteristics



Dimensions in inch (mm)

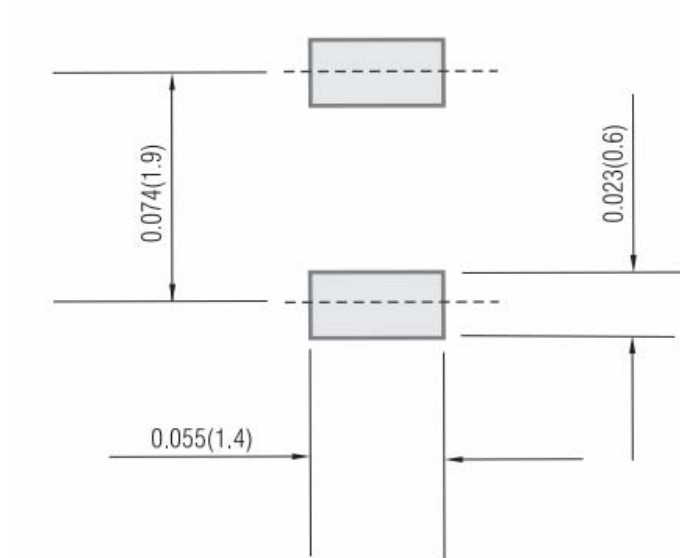


Micro-Melf

0.5W SMD Zener Diodes

TMZ55C2V4-TMZ55C75

Mounting Pad Layout in inch (mm)



Ordering Information

TMZ 55 C XXX - xx - TR70

- Packing Code: TR70: 7" reel in Tape and Reel, RoHS
- Factory Location Code
- Nominal Zener Voltage
- Standard Zener Voltage Tolerance is ±5 %
- Series Part Number
- Taitron SMD Zener Diode

0.5W SMD Zener Diodes

TMZ55C2V4-TMZ55C75

How to contact us

US HEADQUARTERS

28040 WEST HARRISON PARKWAY, VALENCIA, CA 91355-4162

Tel: (800)-TAITRON (800)-824-8766 (661)-257-6060

Fax: (800)-TAITFAX (800)-824-8329 (661)-257-6415

Email: taitron@taitroncomponents.com

Http://www.taitroncomponents.com

TAITRON COMPONENTS MEXICO, S.A .DE C.V.

BOULEVARD CENTRAL 5000 INTERIOR 5 PARQUE INDUSTRIAL ATITALAQUIA, HIDALGO

C.P. 42970 MEXICO

Tel: +52-55-5560-1519

Fax: +52-55-5560-2190

TAITRON COMPONENTS INCORPORATED TAIWAN, TAIPEI

6F., No.190, Sec. 2, Zhongxing Rd., Xindian Dist., New Taipei City 23146, Taiwan R.O.C.

Tel: 886-2-2913-6238

Fax: 886-2-2913-6239

TAITRON COMPONENT TECHNOLOGY, SHANGHAI CORPORATION

METROBANK PLAZA, 1160 WEST YAN'AN ROAD, SUITE 1503, SHANGHAI, 200052, CHINA

Tel: +86-21-5424-9942

Fax: +86-21-2302-5027