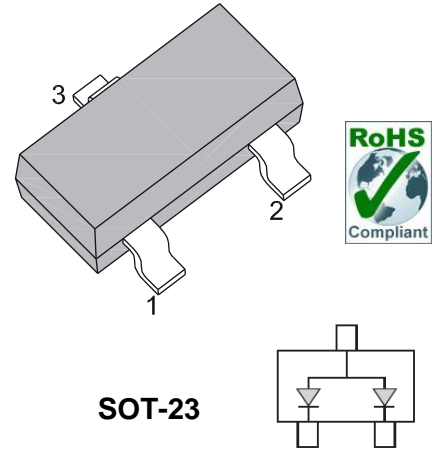


300mW Dual Surface Mount Zener Diodes

Features

- Dual Zeners in Common Anode Configuration
- 300mW Power Dissipation Rating
- Zener Voltages from 2.4~51V
- Ideally Suited for Automatic Insertion
- Common Cathode Style Available See DZ Series
- RoHS Compliant



Mechanical Data

Case:	SOT-23, Molded Plastic
Terminals:	Solderable per MIL-STD-750, Method 2026
Weight:	0.008 grams

Maximum Ratings & Electrical Characteristics ($T_{Ambient}=25^{\circ}C$ unless noted otherwise)

Symbol	Description	Value	Unit	Conditions
P_D	Power Dissipation	300	mW	Note
R_{thJA}	Thermal Resistance Junction to Ambient Air	417	$^{\circ}C/W$	Note
T_J, T_{STG}	Operating and Storage Temperature Range	-55 to +150	$^{\circ}C$	

Note: Device mounted on 5.0mm² (.013mm thick) land areas

300mW Dual Surface Mount Zener Diodes

TZT2V4AW - TZT51AW

Part NO.	Marking Code	Nominal Zener Voltage @ I _{ZT}			Test Current I _{ZT} (mA)	Max. Zener Impedance			Max. Reverse Leakage Current I _R @ V _R	
		V _Z (V)				Z _{ZT} @ I _{ZT}	Z _{ZK} @ I _{ZK}	I _{ZK} (mA)	I _R (μA)	V _R (V)
		Nom.	Min.	Max.						
TZT2V4AW	DO	2.4	2.28	2.52	5.0	85	600	1.0	100	1.0
TZT2V7AW	DA	2.7	2.57	2.84	5.0	83	600	1.0	75	1.0
TZT3V0AW	DB	3.0	2.85	3.15	5.0	95	600	1.0	50	1.0
TZT3V3AW	DC	3.3	3.14	3.47	5.0	95	600	1.0	25	1.0
TZT3V6AW	DD	3.6	3.42	3.78	5.0	95	600	1.0	15	1.0
TZT3V9AW	DE	3.9	3.71	4.10	5.0	95	600	1.0	10	1.0
TZT4V3AW	DF	4.3	4.09	4.52	5.0	95	600	1.0	5.0	1.0
TZT4V7AW	DG	4.7	4.47	4.94	5.0	78	500	1.0	5.0	2.0
TZT5V1AW	DH	5.1	4.85	5.36	5.0	60	480	1.0	0.1	0.8
TZT5V6AW	DI	5.6	5.32	5.88	5.0	40	400	1.0	0.1	1.0
TZT6V2AW	DJ	6.2	5.89	6.51	5.0	10	150	1.0	0.1	2.0
TZT6V8AW	D11	6.8	6.46	7.14	5.0	8	80	1.0	0.1	3.0
TZT7V5AW	D12	7.5	7.13	7.88	5.0	7	80	1.0	0.1	5.0
TZT8V2AW	D13	8.2	7.79	8.61	5.0	7	80	1.0	0.1	6.0
TZT8V7AW	D87	8.7	8.27	9.14	5.0	7	100	1.0	0.1	6.5
TZT9V1AW	D14	9.1	8.65	9.56	5.0	10	100	1.0	0.1	7.0
TZT10AW	D15	10	9.50	10.50	5.0	15	150	1.0	0.1	7.5
TZT11AW	D16	11	10.45	11.55	5.0	20	150	1.0	0.1	8.5
TZT12AW	D17	12	11.40	12.60	5.0	20	150	1.0	0.1	9.0
TZT13AW	D18	13	12.35	13.65	5.0	25	170	1.0	0.1	10.0
TZT14AW	DK	14	13.30	14.70	5.0	25	170	1.0	0.1	10.5
TZT15AW	D19	15	14.25	15.75	5.0	30	200	1.0	0.1	11.0
TZT16AW	D20	16	15.20	16.80	5.0	40	200	1.0	0.1	12.0
TZT17AW	DL	17	16.15	17.85	5.0	40	200	1.0	0.1	13.0
TZT18AW	D21	18	17.10	18.90	5.0	50	225	1.0	0.1	14.0
TZT20AW	D22	20	19.00	21.00	5.0	50	225	1.0	0.1	15.0
TZT22AW	D23	22	20.90	23.10	5.0	55	250	1.0	0.1	17.0
TZT24AW	D24	24	22.80	25.20	5.0	80	250	1.0	0.1	18.0

300mW Dual Surface Mount Zener Diodes

TZT2V4AW - TZT51AW

Part NO.	Marking Code	Nominal Zener Voltage @ I _{ZT}			Test Current I _{ZT} (mA)	Max. Zener Impedance			Max. Reverse Leakage Current I _R @ V _R	
		V _Z (V)				Z _{ZT} @ I _{ZT}	Z _{ZK} @ I _{ZK}	I _{ZK} (mA)	I _R (μA)	V _R (V)
		Nom.	Min.	Max.						
TZT27AW	D25	27	25.65	28.35	5.0	80	300	1.0	0.1	20.0
TZT28AW	DM	28	26.60	29.40	5.0	80	300	1.0	0.1	22.0
TZT30AW	D26	30	28.50	31.50	5.0	80	300	1.0	0.1	22.5
TZT33AW	D27	33	31.35	34.65	5.0	80	325	1.0	0.1	25.0
TZT36AW	D28	36	34.20	37.80	5.0	90	350	1.0	0.1	27.0
TZT39AW	D29	39	37.05	40.95	5.0	90	350	1.0	0.1	29.0
TZT43AW	D30	43	40.85	45.15	5.0	100	375	1.0	0.1	32.0
TZT47AW	D31	47	44.65	49.35	5.0	100	375	1.0	0.1	35.0
TZT51AW	D32	51	48.45	53.55	5.0	100	400	1.0	0.1	38.0

Characteristics Curves

Fig.1 Power Derating Curve

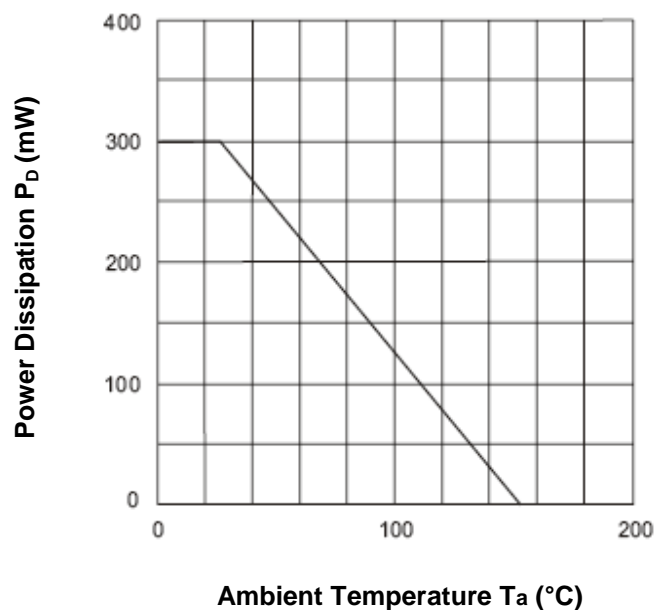
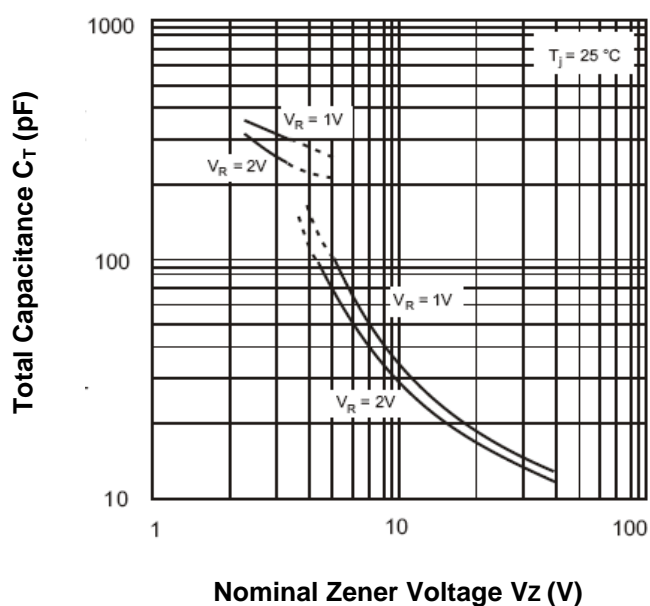


Fig.2 Total Capacitance Vs Nominal Zener Voltage

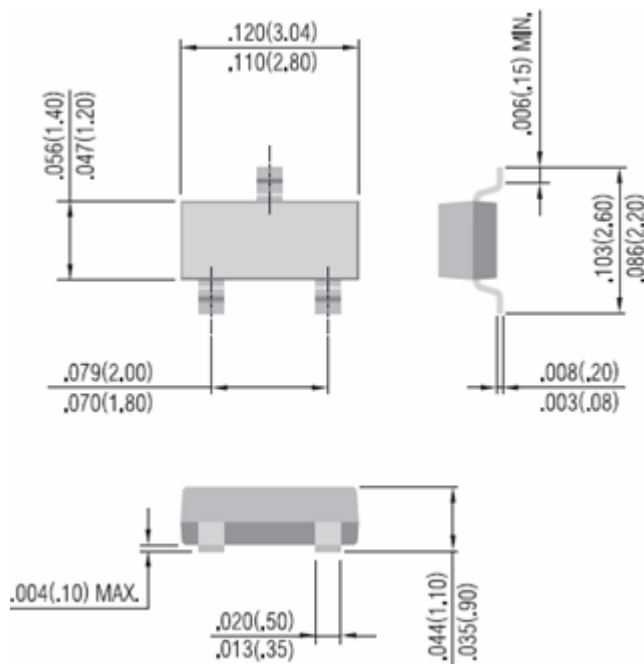


300mW Dual Surface Mount Zener Diodes

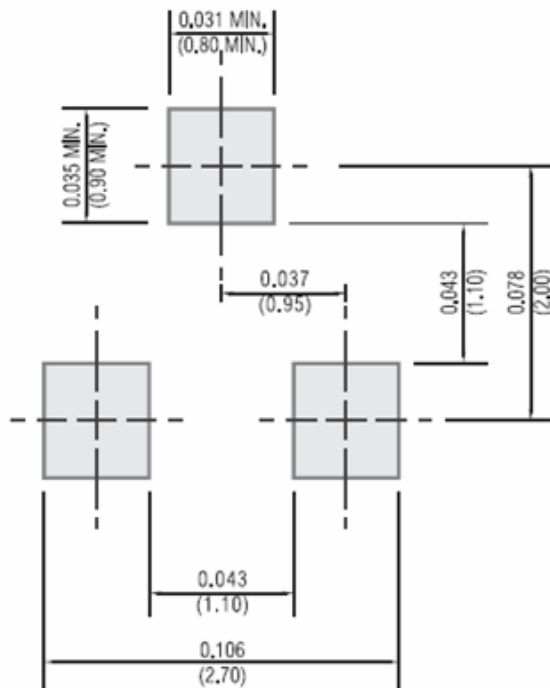
TZT2V4AW - TZT51AW

Dimensions in inch (mm)

SOT-23



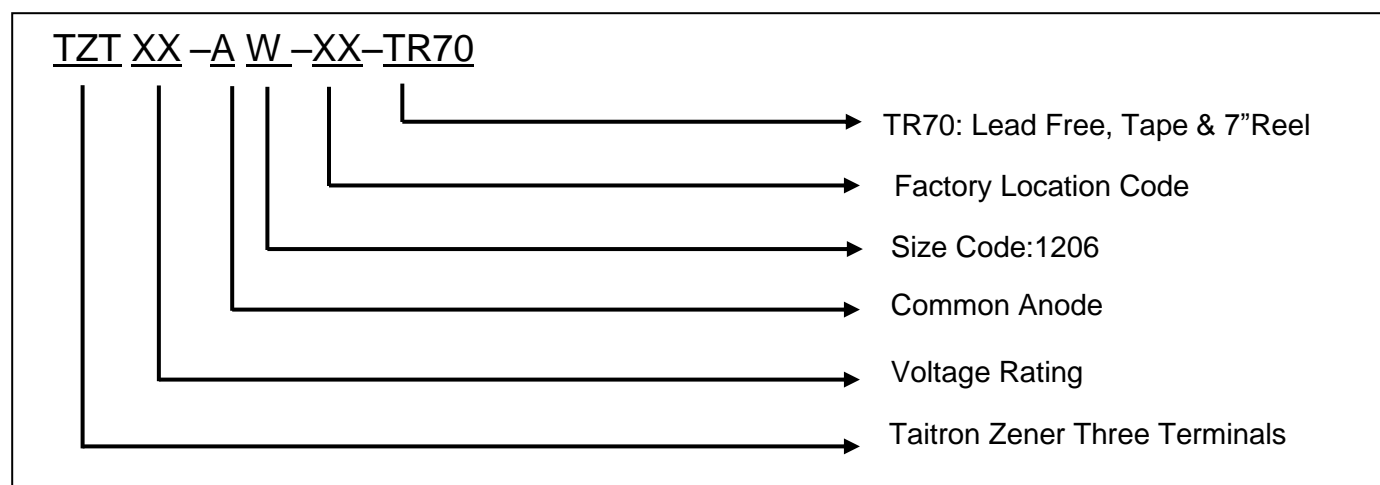
Mounting Pad Layout



300mW Dual Surface Mount Zener Diodes

TZT2V4AW - TZT51AW

Ordering Information



How to contact us

US HEADQUARTERS

28040 WEST HARRISON PARKWAY, VALENCIA, CA 91355-4162

Tel: (800)-TAITRON (800)-824-8766 (661)-257-6060

Fax: (800)-TAITFAX (800)-824-8329 (661)-257-6415

Email: taitron@taitroncomponents.com

Http://www.taitroncomponents.com

TAITRON COMPONENTS MEXICO, S.A .DE C.V.

BOULEVARD CENTRAL 5000 INTERIOR 5 PARQUE INDUSTRIAL ATITALAQUIA, HIDALGO

C.P. 42970 MEXICO

Tel: +52-55-5560-1519

Fax: +52-55-5560-2190

TAITRON COMPONENTS INCORPORATED TAIWAN, TAIPEI

6F., No.190, Sec. 2, Zhongxing Rd., Xindian Dist., New Taipei City 23146, Taiwan R.O.C.

Tel: 886-2-2913-6238

Fax: 886-2-2913-6239

TAITRON COMPONENT TECHNOLOGY, SHANGHAI CORPORATION

METROBANK PLAZA, 1160 WEST YAN'AN ROAD, SUITE 1503, SHANGHAI, 200052, CHINA

Tel: +86-21-5424-9942

Fax: +86-21-2302-5027