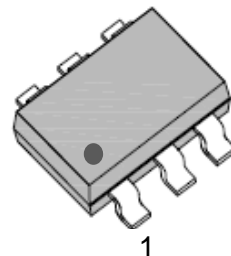


200mW Multiple Terminals SMD Zener Diodes

Features

- 200mW Power Dissipation Rating
- Zener Voltage from 2.4v to 75v
- Ideally Suited for Automatic Insertion
- Lead Free in Comply with EU RoHS 2002/95/EC Directives
- Green Molding Compound as Per IEC61249 Std. (Halogen Free)
- RoHS Compliance

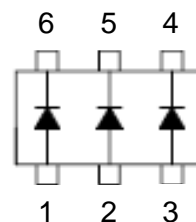


SOT-363



Mechanical Data

Case:	SOT-363, molded plastic
Terminals:	Solderable per MIL-STD-750, Method 2026
Polarity:	See Diagram
Approx Weight:	0.006 grams



Maximum Ratings ($T_{Ambient}=25^{\circ}C$ unless noted otherwise)

Symbol	Description	Value	Unit	Conditions
P_D	Power Dissipation on FR-5 board	200	mW	T _A =25°C
R_{θJA}	Thermal Resistance, Junction to Ambient Air on FR-5 board	625	°C/W	
T_J, T_{STG}	Operating Junction and Storage Temperature Range	-65 to +150	°C	

200mW Multiple Terminals SMD Zener Diodes

TZGC2V4TWS - TZGC75TWS

Electrical Characteristics *(T_{Ambient}=25°C unless noted otherwise)*

Part NO.	Marking Code	Nominal Zener Voltage @ I _{ZT}			Test Current I _{ZT} (mA)	Max. Zener Impedance			Max. Reverse Leakage Current I _R @ V _R	
		V _Z (V)				Z _{ZT} @ I _{ZT}	Z _{ZK} @ I _{ZK}			
		Nom.	Min.	Max.	Ω	Ω	mA	I _R (μA)	V _R (V)	
TZGC2V4TWS	W1	2.4	2.28	2.52	5	100	600	1	50	1.0
TZGC2V7TWS	W2	2.7	2.57	2.84	5	100	600	1	20	1.0
TZGC3V0TWS	W3	3.0	2.85	3.15	5	95	600	1	10	1.0
TZGC3V3TWS	W4	3.3	3.14	3.47	5	95	600	1	5.0	1.0
TZGC3V6TWS	W5	3.6	3.42	3.78	5	90	600	1	5.0	1.0
TZGC3V9TWS	W6	3.9	3.71	4.10	5	90	600	1	3.0	1.0
TZGC4V3TWS	W7	4.3	4.09	4.52	5	90	600	1	3.0	1.0
TZGC4V7TWS	W8	4.7	4.47	4.94	5	80	500	1	3.0	2.0
TZGC5V1TWS	W9	5.1	4.85	5.36	5	60	480	1	2.0	2.0
TZGC5V6TWS	WA	5.6	5.32	5.88	5	40	400	1	1.0	2.0
TZGC6V2TWS	WB	6.2	5.89	6.51	5	10	150	1	3.0	4.0
TZGC6V8TWS	WC	6.8	6.46	7.14	5	15	80	1	2.0	4.0
TZGC7V5TWS	WD	7.5	7.13	7.88	5	15	80	1	1.0	5.0
TZGC8V2TWS	WE	8.2	7.79	8.61	5	15	80	1	0.7	5.0
TZGC8V7TWS	87C	8.7	8.27	9.14	5	15	100	1	0.7	5.0
TZGC9V1TWS	WF	9.1	8.65	9.56	5	15	100	1	0.5	6.0
TZGC10TWS	WG	10	9.5	10.50	5	20	150	1	0.2	7.0
TZGC11TWS	WH	11	10.45	11.55	5	20	150	1	0.1	8.0
TZGC12TWS	WI	12	11.40	12.60	5	25	150	1	0.1	8.0
TZGC13TWS	WK	13	12.35	13.65	5	30	170	1	0.1	8.0
TZGC14TWS	WJ	14	13.30	14.70	5	30	170	1	0.1	10.0
TZGC15TWS	WL	15	14.25	15.75	5	30	200	1	0.1	10.5
TZGC16TWS	WM	16	15.20	16.80	5	40	200	1	0.1	11.2
TZGC17TWS	17C	17	16.15	17.85	5	40	200	1	0.1	12.2
TZGC18TWS	WN	18	17.10	18.90	5	45	225	1	0.1	12.6
TZGC20TWS	WO	20	19.00	21.00	5	55	225	1	0.1	14.0
TZGC22TWS	WP	22	20.90	23.10	5	55	250	1	0.1	15.4
TZGC24TWS	WR	24	22.80	25.20	5	70	250	1	0.1	16.8
TZGC27TWS	WS	27	25.65	28.35	5	80	300	1	0.1	18.9
TZGC28TWS	28C	28	26.60	29.40	5	80	300	1	0.1	20.5
TZGC30TWS	WT	30	28.50	31.50	5	80	300	1	0.1	21.0
TZGC33TWS	WU	33	31.35	34.65	5	80	325	1	0.1	23.1

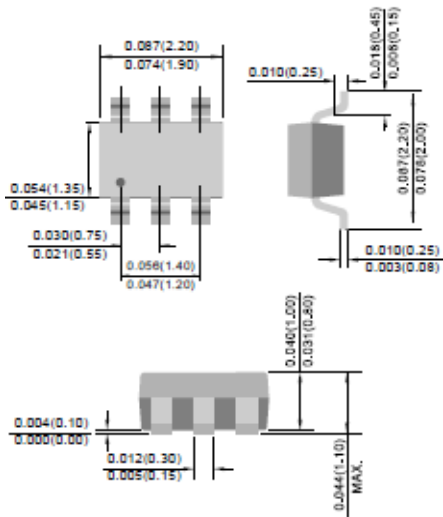
200mW Multiple Terminals SMD Zener Diodes

TZGC2V4TWS - TZGC75TWS

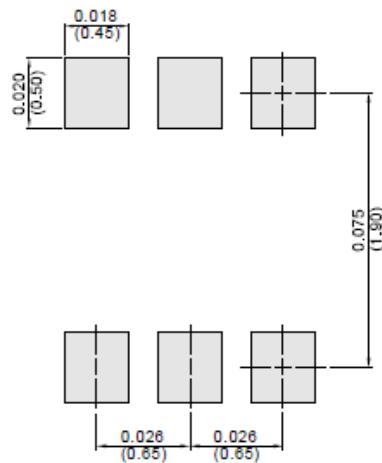
TZGC36TWS	WW	36	34.20	37.80	5	90	350	1	0.1	25.2
TZGC39TWS	WX	39	37.05	40.95	5	130	350	1	0.1	27.3
TZGC43TWS	WY	43	40.85	45.15	5	150	375	1	0.1	30.1
TZGC47TWS	WZ	47	44.65	49.35	5	170	375	1	0.1	32.9
TZGC51TWS	XA	51	48.45	53.55	5	100	400	1	0.1	38
TZGC56TWS	X2	56	53.20	58.80	2.5	135	1000	1	0.1	42
TZGC62TWS	X3	62	58.90	65.10	2.5	150	1000	1	0.1	46
TZGC68TWS	X4	68	64.60	71.40	2.5	200	1000	1	0.1	51
TZGC75TWS	X5	75	71.25	78.75	2.5	250	1000	1	0.1	56

Dimensions in inch (mm)

Mounting Pad Layout in inch (mm)



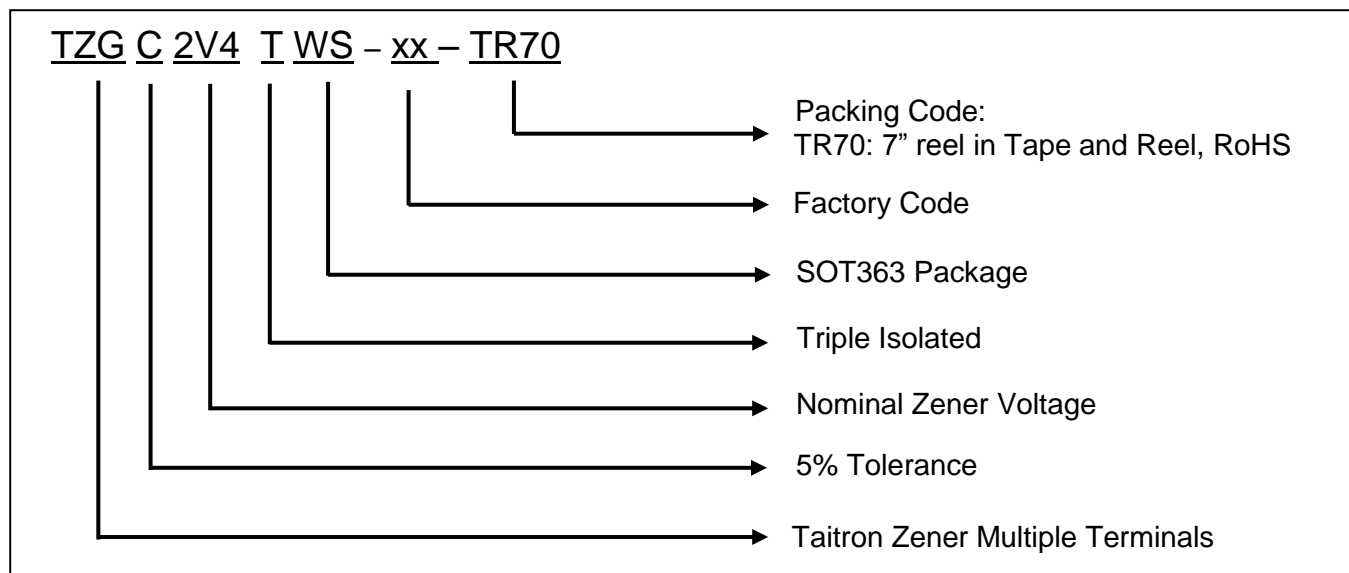
SOT-363



200mW Multiple Terminals SMD Zener Diodes

TZGC2V4TWS - TZGC75TWS

Ordering Information



How to contact us

US HEADQUARTERS

28040 WEST HARRISON PARKWAY, VALENCIA, CA 91355-4162

Tel: (800)-TAITRON (800)-824-8766 (661)-257-6060

Fax: (800)-TAITFAX (800)-824-8329 (661)-257-6415

Email: taitron@taitroncomponents.com

Http://www.taitroncomponents.com

TAITRON COMPONENTS MEXICO, S.A .DE C.V.

BOULEVARD CENTRAL 5000 INTERIOR 5 PARQUE INDUSTRIAL ATITALAQUIA, HIDALGO

C.P. 42970 MEXICO

Tel: +52-55-5560-1519

Fax: +52-55-5560-2190

TAITRON COMPONENTS INCORPORATED TAIWAN, TAIPEI

6F., No.190, Sec. 2, Zhongxing Rd., Xindian Dist., New Taipei City 23146, Taiwan R.O.C.

Tel: 886-2-2913-6238

Fax: 886-2-2913-6239

TAITRON COMPONENT TECHNOLOGY, SHANGHAI CORPORATION

METROBANK PLAZA, 1160 WEST YAN'AN ROAD, SUITE 1503, SHANGHAI, 200052, CHINA

Tel: +86-21-5424-9942

Fax: +86-21-2302-5027