



2N1595 – 2N1596 – 2N1597 – 2N1598 – 2N1599

SILICON THYRISTORS

Industrial-type, low-current silicon controlled rectifiers in a three-lead package ideal for printed-circuit applications
 Current handling capability of 1.6 amperes at junction temperatures to 100°C.
 Compliance to RoHS.

MAXIMUM RATINGS (*)

T_J=100°C unless otherwise noted

Symbol	Ratings	2N1595	2N1596	2N1597	2N1598	2N1599	Unit
V _{RSM(REP)}	Peak reverse blocking voltage (*)	50	100	200	300	400	V
I _{T(RMS)}	Forward Current RMS (all conduction angles)	1.6					A
I _{TSM}	Peak Surge Current (One Cycle, 60Hz, T _J =-20 to+100°C)	15					A
P _{GM}	Peak Gate Power – Forward	0.1					W
P _{G(AV)}	Average Gate Power - Forward	0.01					W
I _{GM}	Peak Gate Current – Forward	0.1					A
V _{GFM}	Peak Gate Voltage - Forward	10					V
V _{GRM}	Peak Gate Voltage - Reverse	10					V
T _J	Operating Junction Temperature Range	-20 to +100					°C
T _{STG}	Storage Temperature Range	-20 to +120					

2N1595 – 2N1596 – 2N1597 – 2N1598 – 2N1599

ELECTRICAL CHARACTERISTICS

$T_J=25^\circ\text{C}$ unless otherwise noted, $R_{GK}=1000\Omega$

Symbol	Ratings	2N1595	2N1596	2N1597	2N1598	2N1599	Unit
V_{DRM}	Peak Forward Blocking Voltage * Min :	50	100	200	300	400	V
I_{RRM}	Peak Reverse Blocking Current (Rated V_{DRM} , $T_J=100^\circ\text{C}$)	Max 1					mA
I_{DRM}	Peak Forward Blocking Current (Rated V_{DRM} with gate open, $T_J=100^\circ\text{C}$)	Max 1					mA
I_{GT}	Gate Trigger Current Anode Voltage=7.0 Vdc, $R_L=12\Omega$	Typ : 2.0, Max : 10					mA
V_{GT}	Gate Trigger Voltage Anode Voltage=7.0 Vdc, $R_L=12\Omega$	Typ : 0.7, Max : 3.0					V
	V_{DRM} = Rated, $R_L=100\Omega$, $T_J=100^\circ\text{C}$	Min : 0.2					
I_H	Holding Current Anode Voltage=7.0 Vdc, gate open	Typ : 5.0					mA
V_{TM}	Forward On Voltage $I_T=1$ Adc	Typ : 1.1, Max : 2.0					V
t_{gt}	Turn-On Time (t_d+t_r) $I_{GT}=10$ mA, $I_T=1$ A	Typ : 0.8					μs
t_q	Turn-Off Time $I_T=1$ A, $I_R=1$ A, $dv/dt=20$ V/ μs , $T_J=100^\circ\text{C}$ V_{DRM} = Rated Voltage	Typ : 10					μs

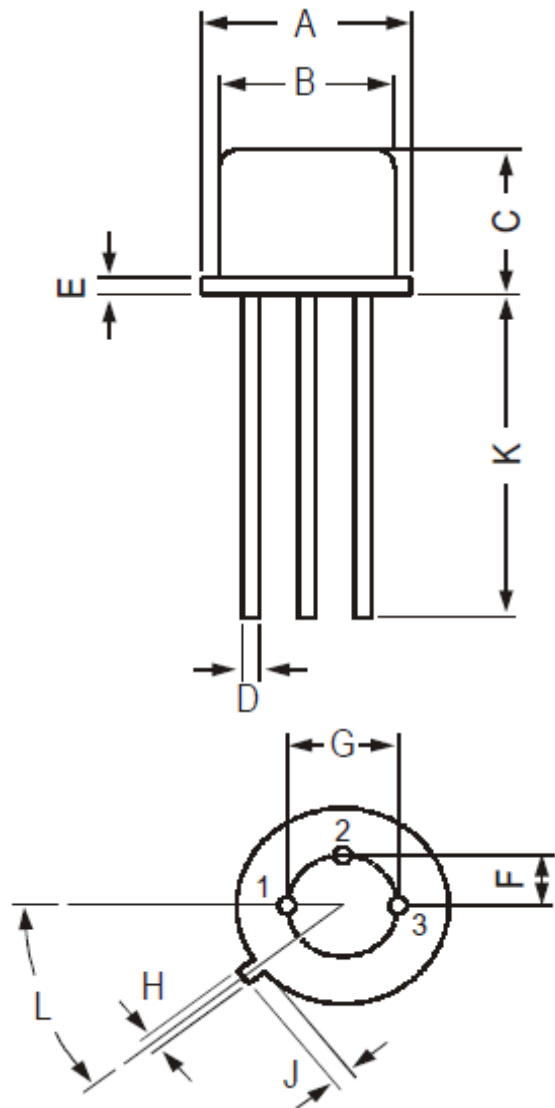
(*) V_{DRM} or V_{RSM} can be applied for all types on a continuous dc basis without incurring damage.

2N1595 – 2N1596 – 2N1597 – 2N1598 – 2N1599

MECHANICAL DATA CASE TO-39

DIMENSIONS (mm)		
	min	max
A	8.50	9.39
B	7.74	8.50
C	6.09	6.60
D	0.40	0.53
E	-	0.88
F	2.41	2.66
G	4.82	5.33
H	0.71	0.86
J	0.73	1.02
K	12.70	-
L	42°	48°

Pin 1 :	kathode
Pin 2 :	Gate
Pin 3 :	Anode
Case :	anode



Revised March 2013

Information furnished is believed to be accurate and reliable. However, Comset Semiconductors assumes no responsibility for the consequences of use of such information nor for any infringement of patents or other rights of third parties which may result from its use. Data are subject to change without notice. Comset Semiconductors makes no warranty, representation or guarantee regarding the suitability of its products for any particular purpose, nor does Comset Semiconductors assume any liability arising out of the application or use of any product and specifically disclaims any and all liability, including without limitation consequential or incidental damages. Comset Semiconductors' products are not authorized for use as critical components in life support devices or systems.