

# SZ303D - SZ30D0

# SURFACE MOUNT SILICON ZENER DIODES

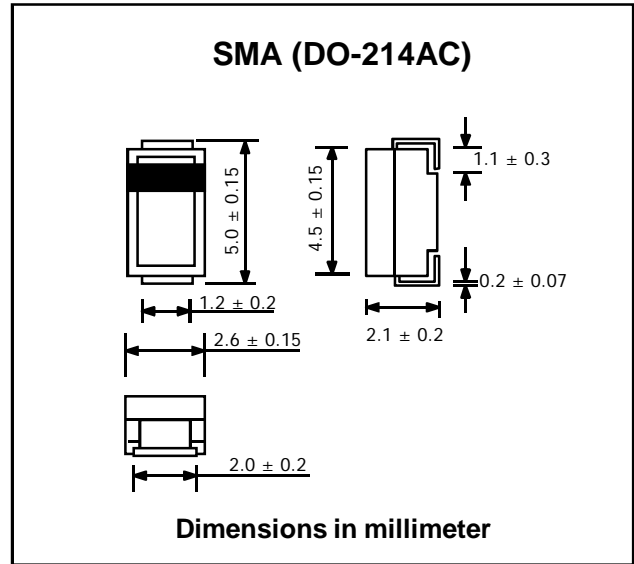
**V<sub>Z</sub> : 3.3 - 200 Volts**  
**P<sub>D</sub> : 1.5 Watts**

### FEATURES :

- \* Complete Voltage Range 3.3 to 200 Volts
- \* High peak reverse power dissipation
- \* High reliability
- \* Low leakage current
- \* **Pb / RoHS Free**

### MECHANICAL DATA

- \* Case : SMA (DO-214AC) Molded plastic
- \* Epoxy : UL94V-0 rate flame retardant
- \* Lead : Lead formed for Surface mount
- \* Polarity : Color band denotes cathode end
- \* Mounting position : Any
- \* Weight : 0.064 grams



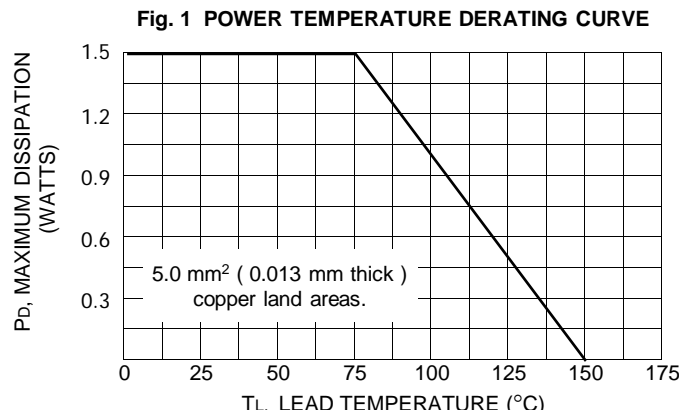
### MAXIMUM RATINGS

Rating at 25 °C ambient temperature unless otherwise specified

Rating	Symbol	Value	Unit
DC Power Dissipation at T <sub>L</sub> = 75 °C (Note1)	P <sub>D</sub>	1.5	W
Maximum Forward Voltage at I <sub>F</sub> = 200 mA	V <sub>F</sub>	1.5	V
Junction Temperature Range	T <sub>J</sub>	- 55 to + 150	°C
Storage Temperature Range	T <sub>s</sub>	- 55 to + 150	°C

#### Note :

(1) T<sub>L</sub> = Lead temperature at 5.0 mm<sup>2</sup> ( 0.013 mm thick ) copper land areas.



## ELECTRICAL CHARACTERISTICS (Rating at 25 °C ambient temperature unless otherwise specified)

TYPE	Nominal Zener Voltage		Maximum Zener Impedance			Maximum Reverse Leakage Current		Maximum DC Zener Current
	Vz @ IZT	IZT	ZzT @ IZT	Zzk @ Izk	Izk	IR @ VR		IZM
	(V)	(mA)	(Ω)	(Ω)	(mA)	(μA)	(V)	(mA)
SZ303D	3.3	113.6	10	500	1.0	100	1.0	454
SZ303G	3.6	104.2	9.0	500	1.0	75	1.0	416
SZ303J	3.9	96.1	7.5	500	1.0	25	1.0	384
SZ304D	4.3	87.2	6.0	500	1.0	5.0	1.0	348
SZ304H	4.7	79.8	5.0	500	1.0	5.0	1.5	319
SZ305B	5.1	73.5	4.0	400	1.0	5.0	2.0	294
SZ305G	5.6	66.9	2.0	300	1.0	5.0	3.0	267
SZ306C	6.2	60.5	2.0	200	1.0	5.0	4.0	241
SZ306I	6.8	55.1	2.5	200	1.0	5.0	5.2	220
SZ307F	7.5	50.0	3.0	400	0.5	5.0	6.0	200
SZ308C	8.2	45.7	3.5	400	0.5	5.0	6.5	182
SZ309B	9.1	41.2	4.0	500	0.5	5.0	7.0	164
SZ3010	10	37.5	4.5	500	0.25	5.0	8.0	150
SZ3011	11	34.1	5.5	550	0.25	1.0	8.4	136
SZ3012	12	31.2	6.5	550	0.25	1.0	9.1	125
SZ3013	13	28.8	7.0	550	0.25	1.0	9.9	115
SZ3015	15	25.0	9.0	600	0.25	1.0	11.4	100
SZ3016	16	23.4	10	600	0.25	1.0	12.2	93
SZ3018	18	20.8	12	650	0.25	1.0	13.7	83
SZ3020	20	18.7	14	650	0.25	1.0	15.2	75
SZ3022	22	17.0	17.5	650	0.25	1.0	16.7	68
SZ3024	24	15.6	19	700	0.25	1.0	18.2	62
SZ3027	27	13.9	23	700	0.25	1.0	20.6	55
SZ3030	30	12.5	26	750	0.25	1.0	22.8	50
SZ3033	33	11.4	33	800	0.25	1.0	25.1	45
SZ3036	36	10.4	38	850	0.25	1.0	27.4	41
SZ3039	39	9.6	45	900	0.25	1.0	29.7	38
SZ3043	43	8.7	53	950	0.25	1.0	32.7	34
SZ3047	47	8.0	67	1000	0.25	1.0	35.8	31
SZ3051	51	7.3	70	1100	0.25	1.0	38.8	29
SZ3056	56	6.7	86	1300	0.25	1.0	42.6	26
SZ3062	62	6.0	100	1500	0.25	1.0	47.1	24
SZ3068	68	5.5	120	1700	0.25	1.0	51.7	22
SZ3075	75	5.0	140	2000	0.25	1.0	56.0	20
SZ3082	82	4.6	160	2500	0.25	1.0	62.2	18
SZ3091	91	4.1	200	3000	0.25	1.0	69.2	16
SZ30B0	100	3.7	250	3100	0.25	1.0	76.0	15
SZ30B1	110	3.4	300	4000	0.25	1.0	83.6	13
SZ30B2	120	3.1	380	4500	0.25	1.0	91.2	12
SZ30B3	130	2.9	450	5000	0.25	1.0	98.8	11
SZ30B5	150	2.5	600	6000	0.25	1.0	114.0	10
SZ30B6	160	2.3	700	6500	0.25	1.0	121.6	9.0
SZ30B8	180	2.1	900	7000	0.25	1.0	136.8	8.0
SZ30D0	200	1.9	1900	9990	0.25	1.0	152.0	7.0

### Notes :

- (1) The type number listed have a standard tolerance on the nominal zener voltage  $\pm 10\%$ , altered the fourth number of type from " 0 " for  $\pm 10\%$  tolerance to be " 5 " for  $\pm 5.0\%$  tolerance.
- (2) " SZ " will be omitted in marking on the diode.