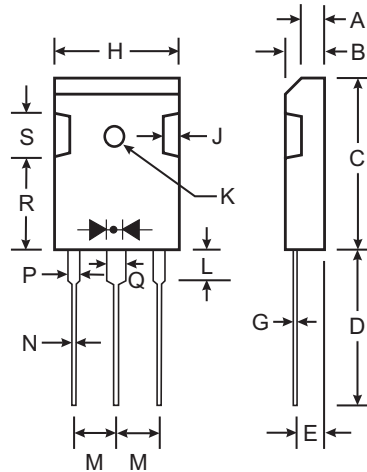


Features

- Schottky Barrier Chip
- Guard Ring Die Construction for Transient Protection
- Low Power Loss, High Efficiency
- High Surge Capability
- High Current Capability and Low Forward Voltage Drop
- For Use in Low Voltage, High Frequency Inverters, Free Wheeling, and Polarity Protection Application
- **Lead Free Finish, RoHS Compliant (Note 3)**

Mechanical Data

- Case: TO-3P
- Case Material: Molded Plastic. UL Flammability Classification Rating 94V-0
- Moisture Sensitivity: Level 1 per J-STD-020C
- Terminals: Finish - Bright Tin. Solderable per MIL-STD-202, Method 208
- Polarity: As Marked on Body
- Ordering Information: See Last Page
- Marking: Type Number
- Weight: 5.6 grams (approximate)



TO-3P		
Dim	Min	Max
A	1.88	2.08
B	4.87	5.13
C	21.25	21.75
D	19.60	20.10
E	2.10	2.40
G	0.51	0.76
H	15.75	16.25
J	1.93	2.18
K	2.90 \varnothing	3.20 \varnothing
L	3.78	4.38
M	5.20	5.70
N	1.12	1.22
P	1.90	2.16
Q	2.93	3.22
R	11.70	12.80
S	4.40 Typical	
All Dimensions in mm		

Maximum Ratings and Electrical Characteristics @ T_A = 25°C unless otherwise specified

Single phase, half wave, 60Hz, resistive or inductive load.
For capacitive load, derate current by 20%.

Characteristic	Symbol	SBL 6030PT	SBL 6040PT	SBL 6050PT	SBL 6060PT	Unit
Peak Repetitive Reverse Voltage Working Peak Reverse Voltage DC Blocking Voltage	V _{RRM} V _{RWM} V _R	30	40	50	60	V
RMS Reverse Voltage	V _{R(RMS)}	21	28	35	42	V
Average Rectified Output Current @ T _C = 100°C (Note 1)	I _O	60				A
Non-Repetitive Peak Forward Surge Current 8.3ms single half sine-wave superimposed on rated load (JEDEC Method)	I _{FSM}	500				A
Forward Voltage Drop @ I _F = 30A, T _C = 25°C	V _{FM}	0.55		0.70		V
Peak Reverse Current @ T _C = 25°C at Rated DC Blocking Voltage @ T _C = 100°C	I _{RM}	20 200				mA
Typical Total Capacitance (Note 2)	C _T	1500				pF
Typical Thermal Resistance Junction to Case (Note 1)	R _{θJc}	0.5				°C/W
Operating and Storage Temperature Range	T _j , T _{STG}	-65 to +150				°C

- Notes:
1. Thermal resistance junction to case mounted on heatsink.
 2. Measured at 1.0MHz and applied reverse voltage of 4.0V DC
 3. RoHS revision 13.2.2003. Glass and High Temperature Solder Exemptions Applied, see EU Directive Annex Notes 5 and 7.

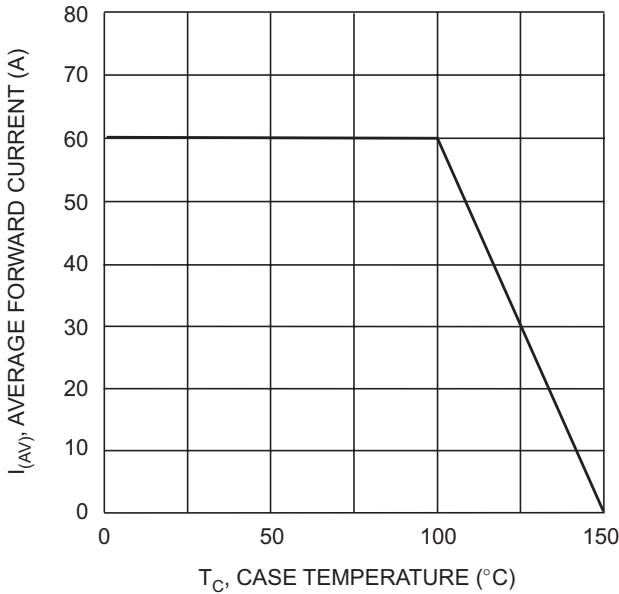


Fig. 1 Forward Current Derating Curve

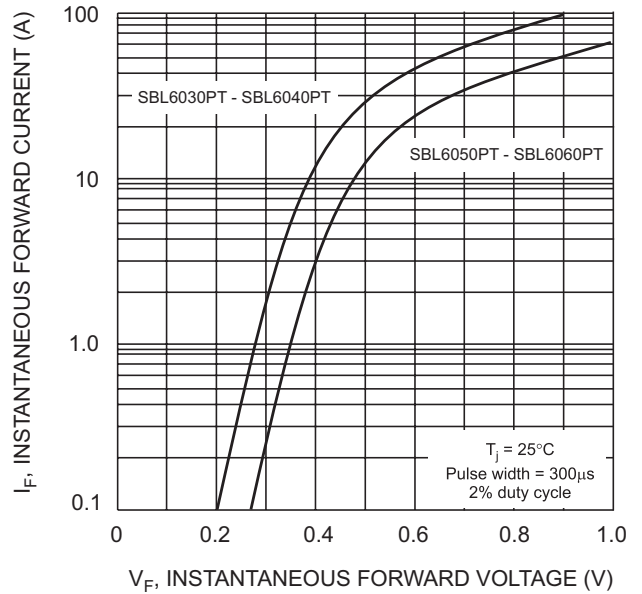


Fig. 2 Typical Forward Characteristics

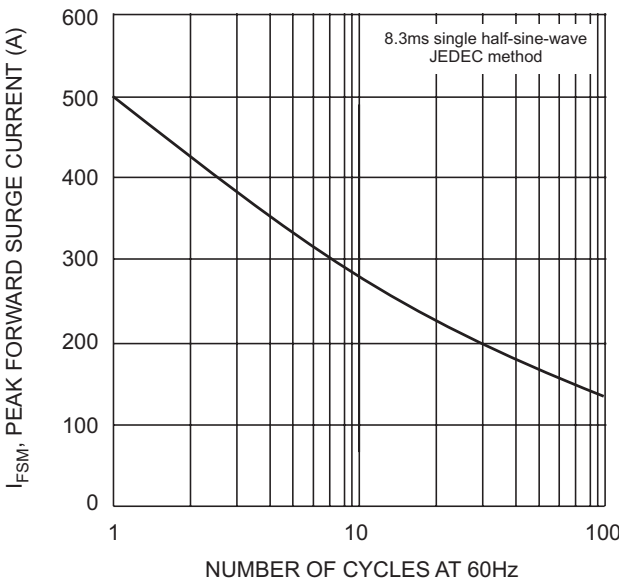


Fig. 3 Max Non-Repetitive Forward Surge Current

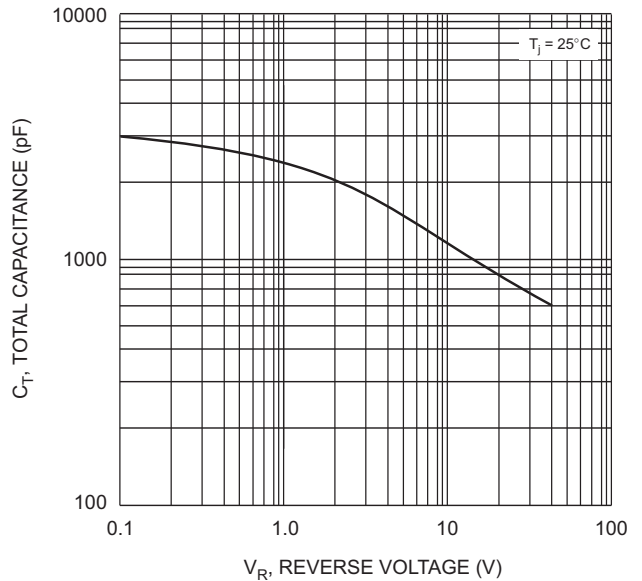


Fig. 4 Typical Total Capacitance per Element

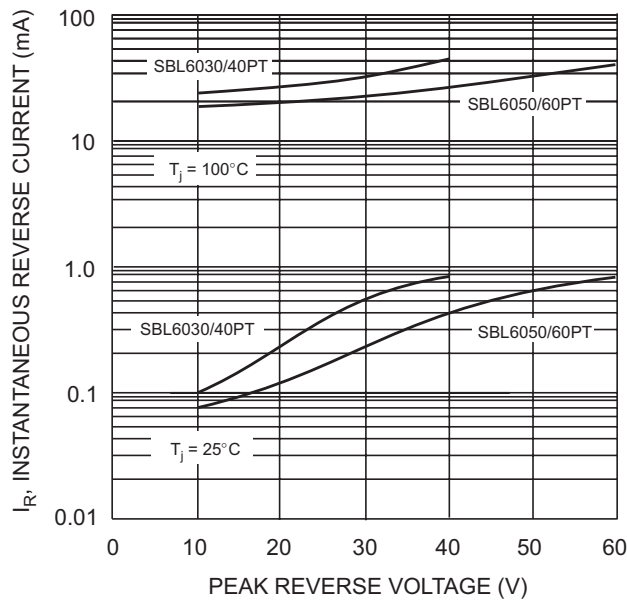


Fig. 5 Typical Reverse Characteristics

Ordering Information (Note 4)

Device	Packaging	Shipping
SBL6030PT	TO-3P	30/Tube
SBL6040PT	TO-3P	30/Tube
SBL6050PT	TO-3P	30/Tube
SBL6060PT	TO-3P	30/Tube

Notes: 4. For packaging details, visit our website at <http://www.diodes.com/datasheets/ap02008.pdf>.