



SM2LZ47

Preliminary

TRIAC

2A TRIACS

DESCRIPTION

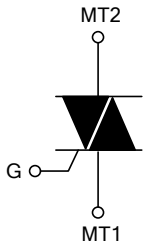
The UTC **SM2LZ47** is a 2A Triac, it uses UTC's advanced technology to provide customers with high critical rate of rise of off-state voltage at communication, high repetitive peak off-state voltage and high R.M.S. on-state current, etc.

The UTC **SM2LZ47** is suitable for AC power control applications, etc.

FEATURES

- * High R.M.S. On-State Current: 2A
- * High Repetitive Peak Off-State Voltage: 800V
- * High Critical Rate of Rise of Off-State Voltage at Communication (Min.=5V/μs)

SYMBOL



ORDERING INFORMATION

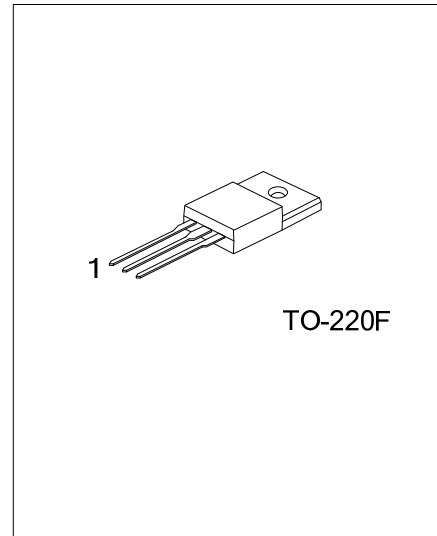
Order Number		Package	Pin Assignment			Packing
Lead Free	Halogen Free		1	2	3	
SM2LZ47L-TF3-T	SM2LZ47G-TF3-T	TO-220F	MT1	MT2	G	Tube

Note: Pin Assignment: MT1: MT1 MT2: MT2 G: GATE

<p>SM2LZ47L-TA3-T</p> <p>(1) Packing Type (2) Package Type (3) L: Lead Free</p>	<p>(1) T: Tube (2) TF3: TO-220F (3) L: Lead Free, G: Halogen Free</p>
-----------------------------------------------------------------------------------------	-------------------------------------------------------------------------------

MARKING INFORMATION

PACKAGE	MARKING
TO-220F	<p>UTC SM2LZ47 Lot Code L: Lead Free G: Halogen Free Data Code</p>



■ ABSOLUTE MAXIMUM RATINGS

PARAMETER	SYMBOL	RATINGS	UNIT
Repetitive Peak Off-State Voltages	V_{DRM}	800	V
R. M. S On-State Current (Full Sine Waveform)	$I_{T(RMS)}$	2	A
Non Repetitive Peak One Cycle Surge On-State Current	I_{TSM}	50Hz	8
		60Hz	8.8
I^2t Limit Value	I^2t	0.32	A^2s
Critical Rate of Rise of On-State Current (Note 1)	di/dt	50	$A/\mu s$
Peak Gate Power Dissipation	P_{GM}	3	W
Average Gate Power Dissipation	$P_{G(AV)}$	0.3	W
Peak Gate Voltage	V_{FGM}	10	V
Peak Gate Current	I_{GM}	1.6	A
Isolation Voltage (AC, $t=1min.$)	V_{ISOL}	1500	V
Junction Temperature	T_J	-40~125	$^{\circ}C$
Storage Temperature	T_{STG}	-40~125	$^{\circ}C$

Notes: 1. Absolute maximum ratings are those values beyond which the device could be permanently damaged.

Absolute maximum ratings are stress ratings only and functional device operation is not implied.

2. di/dt test condition ; $V_{DRM}=400V$, $I_{TM} \leq 3A$, $t_{gw} \geq 0\mu s$, $t_{gr} \leq 250ns$, $i_{gp}=I_{GT} \times 2.0$

■ THERMAL RESISTANCES

PARAMETER	SYMBOL	RATINGS	UNIT
Junction to Ambient (AC)	θ_{JA}	58	$^{\circ}C/W$

■ ELECTRICAL CHARACTERISTICS ($T_A=25^{\circ}C$)

PARAMETER	SYMBOL	TEST CONDITIONS	MIN	TYP	MAX	UNIT
Repetitive Peak Off-State Current	I_{DRM}	$V_{DRM}=800V$			20	μA
Gate Trigger Voltage	V_{GT}	$V_D=12V$, $R_L=20\Omega$	T2+ G+		1.5	V
			T2+ G-		1.5	
			T2- G-		1.5	
Gate Trigger Current	I_{GT}	$V_D=12V$, $R_L=20\Omega$	T2+ G+		10	mA
			T2+ G-		10	
			T2- G-		10	
Peak On-State Voltage	V_{TM}	$I_{TM}=3A$			2.0	V
Gate Non-Trigger Voltage	V_{GD}	$V_D=800V$, $T_C=125^{\circ}C$	0.2			V
Holding Current	I_H	$V_D=12V$, $I_{TM}=1A$			10	mA
Critical Rate of Rise of Off-State Voltage	dV/dt	$V_{DRM}=800V$, $T_J=125^{\circ}C$, Exponential Rise		500		$V/\mu s$
Critical Rate of Rise of Off-State Voltage at Communication	$(dV/dt)_c$	$V_{DRM}=400V$, $T_J=125^{\circ}C$, $(di/dt)_c=-0.5A/ms$	5			$V/\mu s$

UTC assumes no responsibility for equipment failures that result from using products at values that exceed, even momentarily, rated values (such as maximum ratings, operating condition ranges, or other parameters) listed in products specifications of any and all UTC products described or contained herein. UTC products are not designed for use in life support appliances, devices or systems where malfunction of these products can be reasonably expected to result in personal injury. Reproduction in whole or in part is prohibited without the prior written consent of the copyright owner. The information presented in this document does not form part of any quotation or contract, is believed to be accurate and reliable and may be changed without notice.