

CMXTC935A
SURFACE MOUNT
TEMPERATURE COMPENSATED
SILICON ZENER DIODE
±5% TOLERANCE



www.centrasemi.com

DESCRIPTION:

The CENTRAL SEMICONDUCTOR CMXTC935A is a 9.0 Volt, temperature compensated Zener reference diode. This device is ideal for applications requiring long term voltage stability over the specified temperature range.

For proper device operation, external connections must be made on the PCB. See the suggested mounting pad drawing on the following page.

MARKING CODE: C935

MAXIMUM RATINGS: ($T_A=25^\circ\text{C}$)

Power Dissipation
 Operating and Storage Junction Temperature

SYMBOL	UNITS	
P_D	350	mW
T_J, T_{stg}	-65 to +150	$^\circ\text{C}$

ELECTRICAL CHARACTERISTICS: ($T_A=25^\circ\text{C}$ unless otherwise noted)

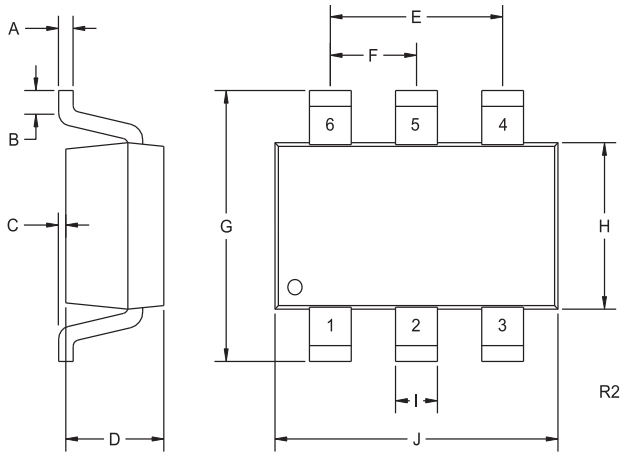
SYMBOL	TEST CONDITIONS	MIN	NOM	MAX	UNITS
V_Z	$I_Z=7.5\text{mA}$	8.55	9.0	9.45	V
Z_Z	$I_Z=7.5\text{mA}$			30	Ω
ΔV_Z^*	$I_Z=7.5\text{mA}$			95	mV

* The Maximum allowable voltage change observed at the specified temperatures of -55°C , 0°C , 25°C , 75°C , and 100°C .

CMXTC935A
SURFACE MOUNT
TEMPERATURE COMPENSATED
SILICON ZENER DIODE
±5% TOLERANCE



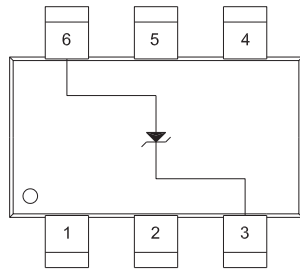
SOT 26 CASE - MECHANICAL OUTLINE



SYMBOL	DIMENSIONS			
	INCHES		MILLIMETERS	
	MIN	MAX	MIN	MAX
A	0.004	0.007	0.11	0.19
B	0.016	-	0.40	-
C	-	0.004	-	0.10
D	0.039	0.047	1.00	1.20
E	0.074	0.075	1.88	1.92
F	0.037	0.038	0.93	0.97
G	0.102	0.118	2.60	3.00
H	0.059	0.067	1.50	1.70
I	0.016		0.41	
J	0.110	0.118	2.80	3.00

SOT-26 (REV: R2)

PIN CONFIGURATION



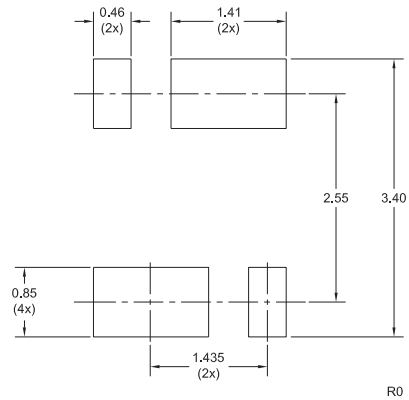
LEAD CODE:

- 1) Connect To Pin 2
- 2) Connect To Pin 1
- 3) Cathode
- 4) Connect To Pin 5
- 5) Connect To Pin 4
- 6) Anode

MARKING CODE: C935

SUGGESTED MOUNTING PADS

(Dimensions in mm)



R1 (12-February 2010)