



Micro Commercial Components



Micro Commercial Components
20736 Marilla Street Chatsworth
CA 91311
Phone: (818) 701-4933
Fax: (818) 701-4939

MMBZ5229C
THRU
MMBZ5262C

Features

- Halogen free available upon request by adding suffix "-HF"
Lead Free Finish/RoHS Compliant ("P" Suffix designates RoHS Compliant. See ordering information)
Epoxy meets UL 94 V-0 flammability rating
Moisture Sensitivity Level 1
Wide Voltage Range Available
Small Outline Package For Space Savings
High Temp Soldering: 260°C for 10 Seconds At Terminals
Surface Mount Package

Maximum Ratings

- Operating Junction Temperature: -55°C to +150°C
Storage Temperature: -55°C to +150°C
Maximum Thermal Resistance; 357°C/W Junction To Ambient

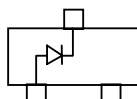
Maximum Ratings @ 25°C Unless Otherwise Specified

Table with 4 columns: Parameter, Symbol, Value, Unit. Rows include Zener Current (IF, 100 mA), Maximum Forward Voltage (VF, 1.2 V), Power Dissipation (Pd, 350 mWatt), and Peak Forward Surge Current (IFSM, 4.0 Amps).

NOTES:

- A. Mounted on FR4 PC board with our suggested solder pad layout.
B. Measured on 8.3ms, single half sine-wave or equivalent square wave, duty cycle = 4 pulses per minute maximum.

*Pin Configuration - Top View



350 mW
Zener Diode
4.3 to 51 Volts

SOT-23

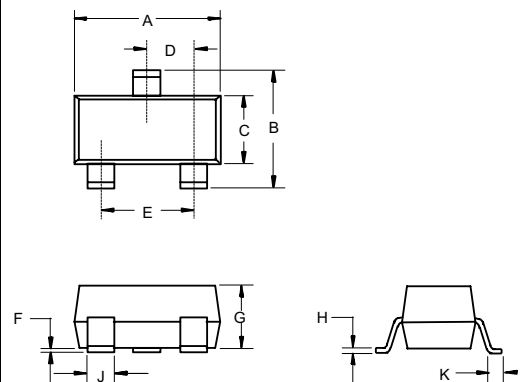
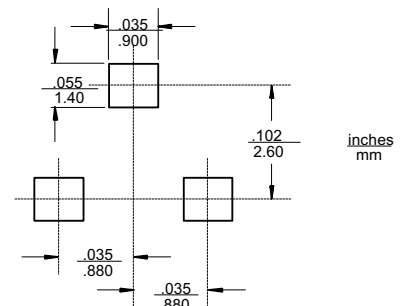


Table titled 'DIMENSIONS' with columns for DIM, INCHES (MIN, MAX), MM (MIN, MAX), and NOTE. It lists dimensions A through K with their respective minimum and maximum values in inches and millimeters.

Suggested Solder Pad Layout



MMBZ5229C thru MMBZ5262C



Part Number	Nominal Zener Voltage			Max. Zener Impedance				Max. Reverse Leakage Current		Marking Code
	V _Z @ I _{ZT}			Z _{TT} @ I _{ZT}		Z _{ZK} @ I _{ZK}		I _R @ V _R		
	Nom. V	Min. V	Max. V	Ω	mA	Ω	mA	μA	V	
MMBZ5229C	4.3	4.21	4.39	22	20.0	2000	0.25	5.0	1.0	D4
MMBZ5230C	4.7	4.61	4.79	19	20.0	1900	0.25	5.0	2.0	D5
MMBZ5231C	5.1	5.00	5.20	17	20.0	1600	0.25	5.0	2.0	E1
MMBZ5232C	5.6	5.49	5.71	11	20.0	1600	0.25	5.0	3.0	E2
MMBZ5233C	6.0	5.88	6.12	7	20.0	1600	0.25	5.0	3.5	E3
MMBZ5234C	6.2	6.08	6.32	7	20.0	1000	0.25	5.0	4.0	E4
MMBZ5235C	6.8	6.66	6.94	5	20.0	750	0.25	3.0	5.0	E5
MMBZ5236C	7.5	7.35	7.65	6	20.0	500	0.25	3.0	6.0	F1
MMBZ5237C	8.2	8.04	8.36	8	20.0	500	0.25	3.0	6.0	F2
MMBZ5238C	8.7	8.53	8.87	8	20.0	600	0.25	3.0	6.5	F3
MMBZ5239C	9.1	8.92	9.28	10	20.0	600	0.25	3.0	6.5	F4
MMBZ5240C	10	9.80	10.20	17	20.0	600	0.25	3.0	8.0	F5
MMBZ5241C	11	10.78	11.22	22	20.0	600	0.25	2.0	8.4	H1
MMBZ5242C	12	11.76	12.24	30	20.0	600	0.25	1.0	9.1	H2
MMBZ5243C	13	12.74	13.26	13	9.5	600	0.25	0.5	9.9	H3
MMBZ5244C	14	13.72	14.28	15	9.0	600	0.25	0.1	10.5	H4
MMBZ5245C	15	14.70	15.30	16	8.5	600	0.25	0.1	11.0	H5
MMBZ5246C	16	15.68	16.32	17	7.8	600	0.25	0.1	12.0	J1
MMBZ5247C	17	16.66	17.34	19	7.5	600	0.25	0.1	13.0	J2
MMBZ5248C	18	17.64	18.36	21	7.0	600	0.25	0.1	14.0	J3
MMBZ5249C	19	18.62	19.38	23	6.6	600	0.25	0.1	14.0	J4
MMBZ5250C	20	19.60	20.40	25	6.2	600	0.25	0.1	15.0	J5
MMBZ5251C	22	21.56	22.44	29	5.6	600	0.25	0.1	17.0	K1
MMBZ5252C	24	23.52	24.48	33	5.2	600	0.25	0.1	18.0	K2
MMBZ5253C	25	24.50	25.50	35	5.0	600	0.25	0.1	19.0	K3
MMBZ5254C	27	26.46	27.54	41	5.0	600	0.25	0.1	21.0	K4
MMBZ5255C	28	27.44	28.56	44	4.5	600	0.25	0.1	21.0	K5
MMBZ5256C	30	29.40	30.60	49	4.2	600	0.25	0.1	23.0	M1
MMBZ5257C	33	32.34	33.66	58	3.8	700	0.25	0.1	25.0	M2
MMBZ5258C	36	35.28	36.72	70	3.4	700	0.25	0.1	27.0	M3
MMBZ5259C	39	38.22	39.78	80	3.2	800	0.25	0.1	30.0	M4
MMBZ5260C	43	42.14	43.86	93	3	900	0.25	0.1	33.0	M5
MMBZ5261C	47	46.06	47.94	105	2.7	1000	0.25	0.1	36.0	N1
MMBZ5262C	51	49.98	52.02	125	2.5	1100	0.25	0.1	39.0	N2

MMBZ5229C thru MMBZ5262C

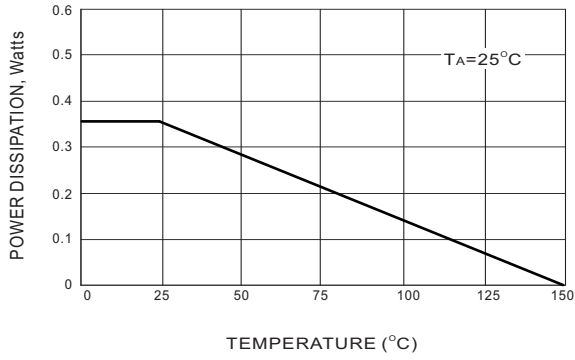


Fig.1 STEADY STATE POWER DERATING

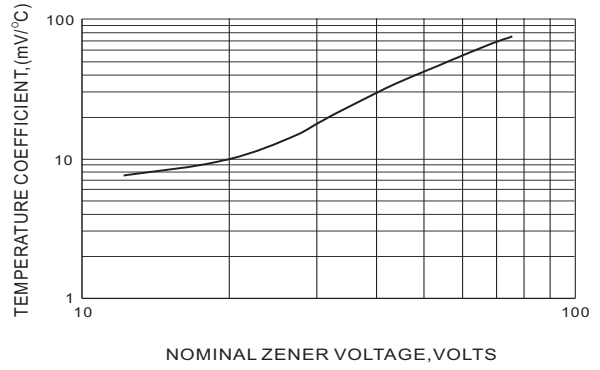


Fig.2 TEMPERATURE COEFFICIENTS

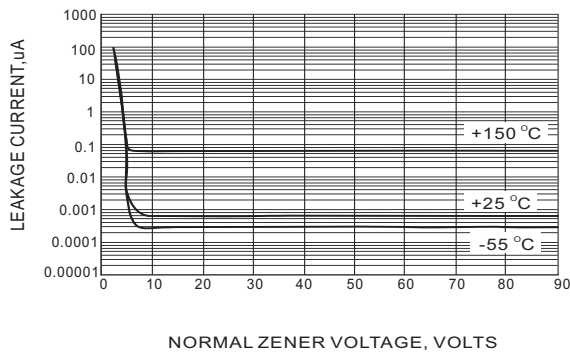


Fig.3 TYPICAL LEAKAGE CURRENT

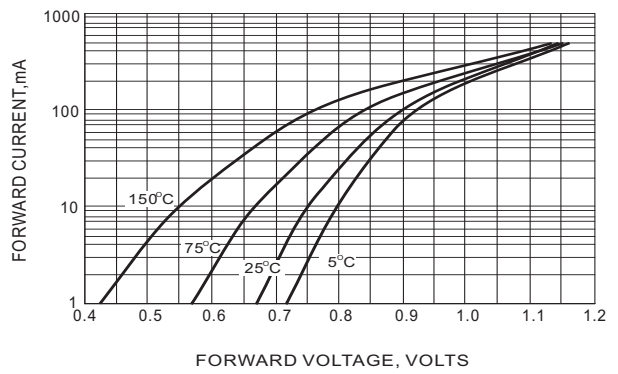


Fig.4 TYPICAL FORWARD VOLTAGE



TM

Micro Commercial Components

Ordering Information :

Device	Packing
Part Number-TP	Tape&Reel: 3Kpcs/Reel

Note : Adding "-HF" suffix for halogen free, eg. Part Number-TP-HF

IMPORTANT NOTICE

Micro Commercial Components Corp. reserves the right to make changes without further notice to any product herein to make corrections, modifications , enhancements , improvements , or other changes . **Micro Commercial Components Corp .** does not assume any liability arising out of the application or use of any product described herein; neither does it convey any license under its patent rights ,nor the rights of others . The user of products in such applications shall assume all risks of such use and will agree to hold **Micro Commercial Components Corp .** and all the companies whose products are represented on our website, harmless against all damages.

LIFE SUPPORT

MCC's products are not authorized for use as critical components in life support devices or systems without the express written approval of Micro Commercial Components Corporation.

CUSTOMER AWARENESS

Counterfeiting of semiconductor parts is a growing problem in the industry. Micro Commercial Components (MCC) is taking strong measures to protect ourselves and our customers from the proliferation of counterfeit parts. MCC strongly encourages customers to purchase MCC parts either directly from MCC or from Authorized MCC Distributors who are listed by country on our web page cited below. Products customers buy either from MCC directly or from Authorized MCC Distributors are genuine parts, have full traceability, meet MCC's quality standards for handling and storage. **MCC will not provide any warranty coverage or other assistance for parts bought from Unauthorized Sources.** MCC is committed to combat this global problem and encourage our customers to do their part in stopping this practice by buying direct or from authorized distributors.

www.mccsemi.com