



CHENMKO ENTERPRISE CO.,LTD

Halogens free devices

**SURFACE MOUNT
NPN Digital Silicon Transistor**

VOLTAGE 50 Volts CURRENT 30 mAmpere

CHIMH1GP

APPLICATION

* Switching circuit, Inverter, Interface circuit, Driver circuit.

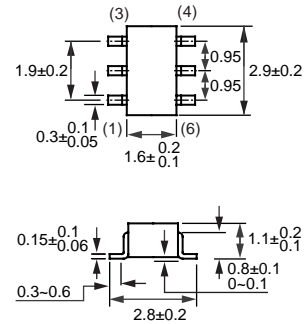
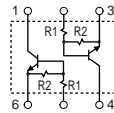
FEATURE

- * Small surface mounting type. (SC-74/SOT-457)
- * High current gain.
- * Suitable for high packing density.
- * Low collector-emitter saturation.
- * High saturation current capability.
- * two CHDTC124E chips in one package.
- * Built in bias resistor(R1=22kΩ, Typ.)



SC-74/SOT-457

CIRCUIT



Dimensions in millimeters

SC-74/SOT-457

LIMITING VALUES

In accordance with the Absolute Maximum Rating System (IEC 60134).

SYMBOL	PARAMETER	CONDITIONS	MIN.	MAX.	UNIT
V _{CC}	Supply voltage		-	50	V
V _{IN}	Input voltage		-10	+40	V
I _O	DC Output current		-	30	mA
P _{TOT}	Total power dissipation	T _{amb} ≤ 25 °C, Note 1	-	300	mW
T _{STG}	Storage temperature		-55	+150	°C
T _J	Junction temperature		-	150	°C

Note

1. Transistor mounted on an FR4 printed-circuit board.

RATING CHARACTERISTIC (CHIMH1GP)

CHARACTERISTICS

$T_{amb} = 25\text{ }^{\circ}\text{C}$ unless otherwise specified.

SYMBOL	PARAMETER	CONDITIONS	MIN.	TYP.	MAX.	UNIT
$V_{I(off)}$	Input off voltage	$I_o=100\mu\text{A}; V_{CC}=5.0\text{V}$	0.5	–	–	V
$V_{I(on)}$	Input on voltage	$I_o=5\text{mA}; V_o=0.2\text{V}$	–	–	3.0	V
$V_{O(on)}$	Output voltage	$I_o=10\text{mA}; I_i=0.5\text{mA}$	–	0.1	0.3	V
I_i	Input current	$V_i=5\text{V}$	–	–	0.36	mA
$I_{C(off)}$	Output current	$V_i=0\text{V}; V_{CC}=5.0\text{V}$	–	–	0.5	μA
h_{FE}	DC current gain	$I_o=5\text{mA}; V_o=5.0\text{V}$	56	–	–	
R_1	Input resistor		15.4	22	28.6	$\text{K}\Omega$
R_2/R_1	Resistor ratio		0.8	1.0	1.2	

Note

1. Pulse test: $t_p \leq 300\mu\text{s}; \delta \leq 0.02$.

RATING CHARACTERISTIC CURVES (CHIMH1GP)

Typical Electrical Characteristics

Fig.1 Input voltage vs. output current (ON characteristics)

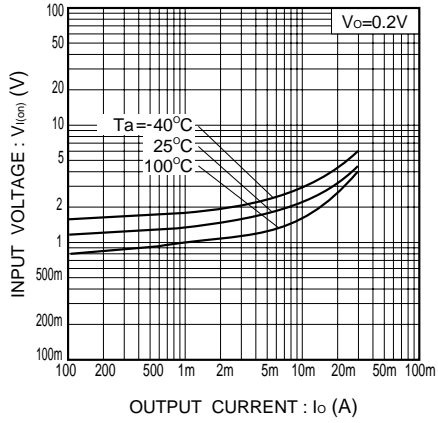


Fig.2 Output current vs. input voltage (OFF characteristics)

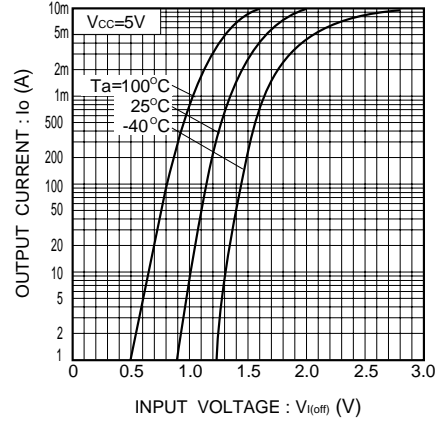


Fig.3 DC current gain vs. output current

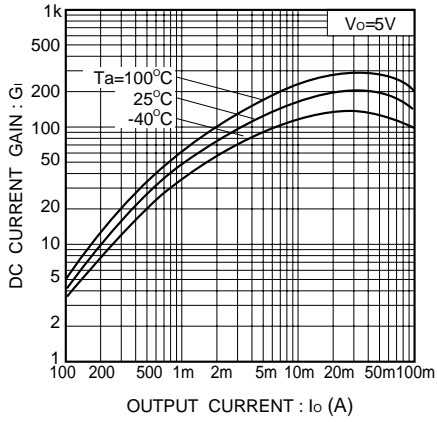


Fig.4 Output voltage vs. output current

