

2N6548  
2N6549

NPN SILICON  
DARLINGTON TRANSISTOR



TO-202 CASE



www.centrasemi.com

**DESCRIPTION:**

The CENTRAL SEMICONDUCTOR 2N6548 series types are NPN silicon Darlington transistors designed for amplifier and driver applications where high gain at a high collector current is important.

**MARKING: FULL PART NUMBER**

**MAXIMUM RATINGS:** ( $T_A=25^\circ\text{C}$ )

Collector-Base Voltage
Collector-Emitter Voltage
Collector-Emitter Voltage
Emitter-Base Voltage
Continuous Collector Current
Continuous Base Current
Power Dissipation
Power Dissipation ( $T_C=25^\circ\text{C}$ )
Operating and Storage Junction Temperature
Thermal Resistance
Thermal Resistance

SYMBOL		UNITS
$V_{CBO}$	50	V
$V_{CES}$	40	V
$V_{CEO}$	40	V
$V_{EBO}$	12	V
$I_C$	2.0	A
$I_B$	0.1	A
$P_D$	2.0	W
$P_D$	10	W
$T_J, T_{stg}$	-65 to +150	$^\circ\text{C}$
$\theta_{JA}$	62.5	$^\circ\text{C/W}$
$\theta_{JC}$	12.5	$^\circ\text{C/W}$

**ELECTRICAL CHARACTERISTICS:** ( $T_A=25^\circ\text{C}$ )

SYMBOL	TEST CONDITIONS	2N6548		2N6549		UNITS
		MIN	MAX	MIN	MAX	
$I_{CBO}$	$V_{CB}=30\text{V}$	-	100	-	100	nA
$I_{EBO}$	$V_{EB}=10\text{V}$	-	100	-	100	nA
$BV_{CBO}$	$I_C=100\mu\text{A}$	50	-	50	-	V
$BV_{CES}$	$I_C=100\mu\text{A}$	40	-	40	-	V
$BV_{EBO}$	$I_E=10\mu\text{A}$	12	-	12	-	V
$V_{CE(SAT)}$	$I_C=1.0\text{A}, I_B=2.0\text{mA}$	-	1.5	-	1.5	V
$V_{CE(SAT)}$	$I_C=2.0\text{A}, I_B=4.0\text{mA}$	-	2.0	-	2.0	V
$V_{BE(SAT)}$	$I_C=1.0\text{A}, I_B=2.0\text{mA}$	-	2.0	-	2.0	V
$V_{BE(ON)}$	$V_{CE}=5.0\text{V}, I_C=1.0\text{A}$	-	2.0	-	2.0	V
$h_{FE}$	$V_{CE}=5.0\text{V}, I_C=200\text{mA}$	25K	150K	15K	150K	
$h_{FE}$	$V_{CE}=5.0\text{V}, I_C=500\text{mA}$	15K	-	10K	-	
$h_{FE}$	$V_{CE}=5.0\text{V}, I_C=1.0\text{A}$	5K	-	3K	-	
$h_{fe}$	$V_{CE}=5.0\text{V}, I_C=50\text{mA}, f=1.0\text{kHz}$	20K	-	15K	-	
$f_T$	$V_{CE}=5.0\text{V}, I_C=200\text{mA}, f=100\text{MHz}$	100	-	100	-	MHz
$C_{ob}$	$V_{CB}=10\text{V}, I_E=0, f=1.0\text{MHz}$	-	7.0	-	7.0	pF

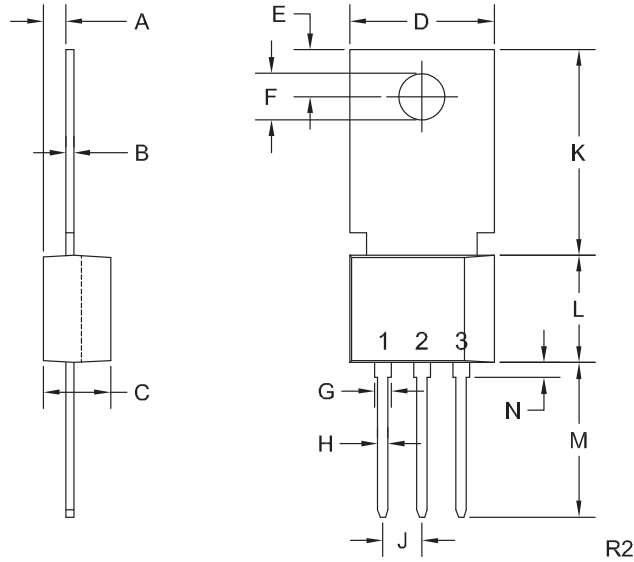
R1 (23-January 2012)

2N6548  
2N6549

**NPN SILICON  
DARLINGTON TRANSISTOR**



**TO-202 CASE - MECHANICAL OUTLINE**



**LEAD CODE:**  
1) Emitter  
2) Base  
3) Collector  
Tab is common to pin 3

**MARKING:**  
**FULL PART NUMBER**

SYMBOL	INCHES		MILLIMETERS	
	MIN	MAX	MIN	MAX
A	0.055	0.071	1.40	1.80
B	0.016	0.024	0.40	0.60
C	0.173	0.181	4.40	4.60
D	0.374	0.413	9.50	10.5
E	0.118	0.154	3.00	3.90
F (DIA)	0.124	0.150	3.15	3.80
G	0.035	0.055	0.90	1.40
H	0.023	0.031	0.59	0.80
J	0.094	0.106	2.39	2.69
K	0.459	0.559	11.66	14.21
L	0.280	0.346	7.12	8.80
M	0.406	0.531	10.3	13.5
N	0.024	0.059	0.60	1.50

TO-202 (REV: R2)

R1 (23-January 2012)