

2N2857  
2N3839

**NPN SILICON RF TRANSISTORS**



**TO-72 CASE**



[www.centrasemi.com](http://www.centrasemi.com)

**DESCRIPTION:**

The CENTRAL SEMICONDUCTOR 2N2857 and 2N3839 are silicon NPN RF transistors designed for VHF/UHF amplifier, oscillator and converter applications.

**MARKING: FULL PART NUMBER**

**MAXIMUM RATINGS:** ( $T_A=25^\circ\text{C}$  unless otherwise noted)

	SYMBOL		UNITS
Collector-Base Voltage	$V_{CBO}$	30	V
Collector-Emitter Voltage	$V_{CEO}$	15	V
Emitter-Base Voltage	$V_{EBO}$	2.5	V
Continuous Collector Current	$I_C$	40	mA
Power Dissipation	$P_D$	200	mW
Power Dissipation ( $T_C=25^\circ\text{C}$ )	$P_D$	300	mW
Operating and Storage Junction Temperature	$T_J, T_{stg}$	-65 to +200	$^\circ\text{C}$

**ELECTRICAL CHARACTERISTICS:** ( $T_A=25^\circ\text{C}$  unless otherwise noted)

SYMBOL	TEST CONDITIONS	2N2857		2N3839		UNITS
		MIN	MAX	MIN	MAX	
$I_{CBO}$	$V_{CB}=15\text{V}$	-	10	-	10	nA
$I_{CBO}$	$V_{CB}=15\text{V}, T_A=150^\circ\text{C}$	-	1.0	-	1.0	$\mu\text{A}$
$BV_{CBO}$	$I_C=1.0\mu\text{A}$	30	-	30	-	V
$BV_{CEO}$	$I_C=3.0\text{mA}$	15	-	15	-	V
$BV_{EBO}$	$I_E=10\mu\text{A}$	2.5	-	2.5	-	V
$h_{FE}$	$V_{CE}=1.0\text{V}, I_C=3.0\text{mA}$	30	150	30	150	
$f_T$	$V_{CE}=6.0\text{V}, I_C=5.0\text{mA}, f=100\text{MHz}$	1.0	1.9	1.0	2.0	GHz
$C_{ob}$	$V_{CB}=10\text{V}, I_E=0, f=100\text{kHz to } 1.0\text{MHz}$	-	1.0	-	1.0	pF
$P_o$	$V_{CB}=10\text{V}, I_C=12\text{mA}, f=500\text{MHz}$	30	-	30	-	mW
$G_{pe}$	$V_{CE}=6.0\text{V}, I_C=1.5\text{mA}, f=450\text{MHz}, R_S=50\Omega$	12.5	19	12.5	19	dB
NF	$V_{CE}=6.0\text{V}, I_C=1.5\text{mA}, f=450\text{MHz}, R_S=50\Omega$	-	4.5	-	3.9	dB
$r_b'C_c$	$V_{CB}=6.0\text{V}, I_C=2.0\text{mA}, f=31.9\text{MHz}$	4.0	15	1.0	15	ps

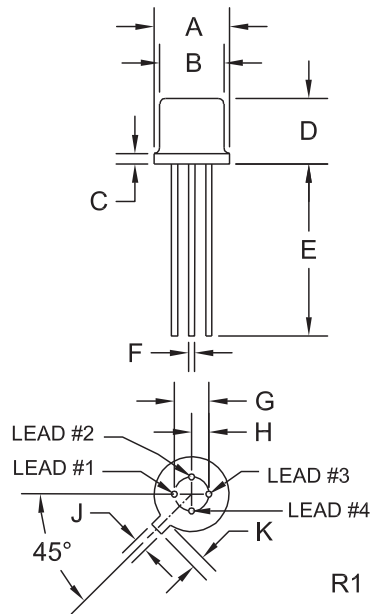
R1 (31-January 2013)

2N2857  
2N3839

NPN SILICON RF TRANSISTORS



TO-72 CASE - MECHANICAL OUTLINE



SYMBOL	INCHES		MILLIMETERS	
	MIN	MAX	MIN	MAX
A (DIA)	0.209	0.230	5.31	5.84
B (DIA)	0.175	0.195	4.45	4.95
C	-	0.030	-	0.76
D	0.170	0.210	4.32	5.33
E	0.500	-	12.70	-
F (DIA)	0.016	0.019	0.41	0.48
G (DIA)	0.100		2.54	
H	0.050		1.27	
J	0.036	0.046	0.91	1.17
K	0.028	0.048	0.71	1.22

TO-72 (REV: R1)

LEAD CODE:

- 1) Emitter
- 2) Base
- 3) Collector
- 4) Case

MARKING:

FULL PART NUMBER

R1 (31-January 2013)