

CentralTM Semiconductor Corp.

145 Adams Ave., Hauppauge, NY 11788 USA
Phone (631) 435-1110 FAX (631) 435-1824

Manufacturers of World Class Discrete Semiconductors
www.centralsemi.com

CM4957

PNP HIGH FREQUENCY
SILICON TRANSISTOR

TO-72 CASE

DESCRIPTION

The CENTRAL SEMICONDUCTOR CM4957 is a Silicon PNP RF Transistor, mounted in a hermetically sealed package, designed for high frequency amplifier and non-saturated switching applications. This device is a replacement for the 2N4957.

MAXIMUM RATINGS (T_A=25°C)

	SYMBOL		UNITS
Collector-Base Voltage	V _{CB0}	30	V
Collector-Emitter Voltage	V _{CEO}	25	V
Emitter-Base Voltage	V _{EBO}	3.0	V
Collector Current - Continuous	I _C	30	mA
Power Dissipation	P _D	200	mW
Power Dissipation (T _C =25°C)	P _D	300	mW
Operating and Storage Junction Temperature	T _J , T _{stg}	-65 to +200	°C

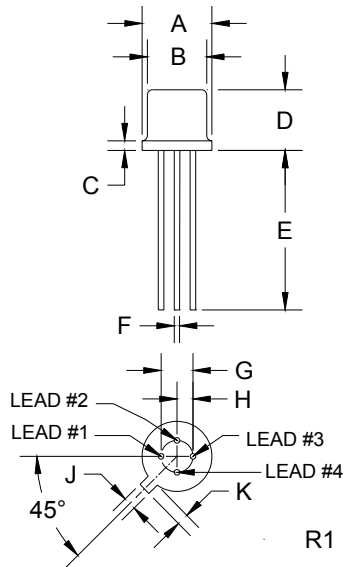
ELECTRICAL CHARACTERISTICS (T_A=25°C unless otherwise noted)

SYMBOL	TEST CONDITIONS	MIN	TYP	MAX	UNITS
I _{CBO}	V _{CB} =10V			100	nA
BV _{CB0}	I _C =100μA	30			V
BV _{CEO}	I _C =1.0mA	25			V
BV _{EBO}	I _E =100μA	3.0			V
h _{FE}	V _{CE} =10V, I _C =2.0mA	20		150	
f _T	V _{CE} =10V, I _C =2.0mA, f=100MHz	1200		2500	MHz
C _{cb}	V _{CB} =10V, I _E =0, f=1.0MHz		1.6	2.0	pF
h _{fe}	V _{CE} =10V, I _C =2.0mA, f=1.0kHz	20		200	
G _{pe}	V _{CE} =10V, I _C =4.0mA, f=450MHz	17		25	dB

(Continued)

R2

TO-72 CASE - MECHANICAL OUTLINE



SYMBOL	INCHES		MILLIMETERS	
	MIN	MAX	MIN	MAX
A (DIA)	0.209	0.230	5.31	5.84
B (DIA)	0.175	0.195	4.45	4.95
C	-	0.030	-	0.76
D	0.170	0.210	4.32	5.33
E	0.500	-	12.70	-
F (DIA)	0.016	0.019	0.41	0.48
G (DIA)	0.100		2.54	
H	0.050		1.27	
J	0.036	0.046	0.91	1.17
K	0.028	0.048	0.71	1.22
TO-72 (REV: R1)				

Lead Code:

- 1) Emitter
- 2) Base
- 3) Collector
- 4) Case

CentralTM
Semiconductor Corp.

145 Adams Ave., Hauppauge, NY 11788 USA
Phone (631) 435-1110 FAX (631) 435-1824

Manufacturers of World Class Discrete Semiconductors
www.centralsemi.com