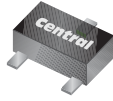


**CMUT5401**  
**SURFACE MOUNT**  
**PNP SILICON TRANSISTOR**

**ULTRAmi<sup>TM</sup>**



**SOT-523 CASE**



[www.centrasemi.com](http://www.centrasemi.com)

**DESCRIPTION:**

The CENTRAL SEMICONDUCTOR CMUT5401 type is a PNP silicon transistor manufactured by the epitaxial planar process, epoxy molded in a surface mount package, designed for high voltage amplifier applications.

**MARKING CODE: 54C**

**MAXIMUM RATINGS:** ( $T_A=25^\circ\text{C}$ )

Collector-Base Voltage
Collector-Emitter Voltage
Emitter-Base Voltage
Continuous Collector Current
Power Dissipation
Operating and Storage Junction Temperature
Thermal Resistance

SYMBOL		UNITS
$V_{CBO}$	160	V
$V_{CEO}$	150	V
$V_{EBO}$	5.0	V
$I_C$	600	mA
$P_D$	250	mW
$T_J, T_{stg}$	-65 to +150	$^\circ\text{C}$
$\theta_{JA}$	500	$^\circ\text{C/W}$

**ELECTRICAL CHARACTERISTICS:** ( $T_A=25^\circ\text{C}$  unless otherwise noted)

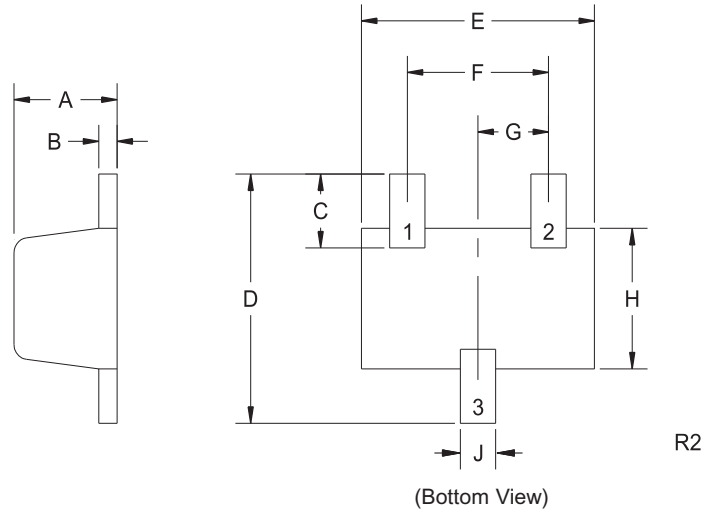
SYMBOL	TEST CONDITIONS	MIN	MAX	UNITS
$I_{CBO}$	$V_{CB}=120\text{V}$		50	nA
$I_{CBO}$	$V_{CB}=120\text{V}, T_A=100^\circ\text{C}$		50	$\mu\text{A}$
$I_{EBO}$	$V_{EB}=3.0\text{V}$		50	nA
$BV_{CBO}$	$I_C=100\mu\text{A}$	160		V
$BV_{CEO}$	$I_C=1.0\text{mA}$	150		V
$BV_{EBO}$	$I_E=10\mu\text{A}$	5.0		V
$V_{CE(SAT)}$	$I_C=10\text{mA}, I_B=1.0\text{mA}$		0.2	V
$V_{CE(SAT)}$	$I_C=50\text{mA}, I_B=5.0\text{mA}$		0.5	V
$V_{BE(SAT)}$	$I_C=10\text{mA}, I_B=1.0\text{mA}$		1.0	V
$V_{BE(SAT)}$	$I_C=50\text{mA}, I_B=5.0\text{mA}$		1.0	V
$h_{FE}$	$V_{CE}=5.0\text{V}, I_C=1.0\text{mA}$	50		
$h_{FE}$	$V_{CE}=5.0\text{V}, I_C=10\text{mA}$	60	240	
$h_{FE}$	$V_{CE}=5.0\text{V}, I_C=50\text{mA}$	50		
$f_T$	$V_{CE}=10\text{V}, I_C=10\text{mA}, f=100\text{MHz}$	100	300	MHz
$C_{ob}$	$V_{CB}=10\text{V}, I_E=0, f=1.0\text{MHz}$		6.0	pF
$h_{fe}$	$V_{CE}=10\text{V}, I_C=1.0\text{mA}, f=1.0\text{kHz}$	40	200	
NF	$V_{CE}=5.0\text{V}, I_C=250\mu\text{A}, R_S=1.0\text{k}\Omega, f=10\text{Hz to } 15.7\text{kHz}$		8.0	dB

R2 (9-February 2010)

CMUT5401  
SURFACE MOUNT  
PNP SILICON TRANSISTOR



**SOT-523 CASE - MECHANICAL OUTLINE**



**LEAD CODE:**

- 1) Base
- 2) Emitter
- 3) Collector

**MARKING CODE: 54C**

SYMBOL	INCHES		MILLIMETERS	
	MIN	MAX	MIN	MAX
A	0.023	0.031	0.58	0.78
B	0.002	0.008	0.04	0.20
C	0.013	0.021	0.34	0.54
D	0.059	0.067	1.50	1.70
E	0.059	0.067	1.50	1.70
F	0.035	0.043	0.90	1.10
G	0.020		0.50	
H	0.031	0.039	0.78	0.98
J	0.010	0.014	0.25	0.35

SOT-523 (REV: R2)

R2 (9-February 2010)