



Micro Commercial Components



Micro Commercial Components
 20736 Marilla Street Chatsworth
 CA 91311
 Phone: (818) 701-4933
 Fax: (818) 701-4939

2SC2655L-O 2SC2655L-Y

NPN Plastic-Encapsulate Transistor

Features

- Halogen free available upon request by adding suffix "-HF"
- Collector of 0.9Watts of Power Dissipation.
- Collector-current 2.0A
- Operating and storage junction temperature range: -55°C to +150°C
- Epoxy meets UL 94 V-0 flammability rating
- Moisture Sensitivity Level 1
- Lead Free Finish/Rohs Compliant ("P" Suffix designates RoHS Compliant. See ordering information)

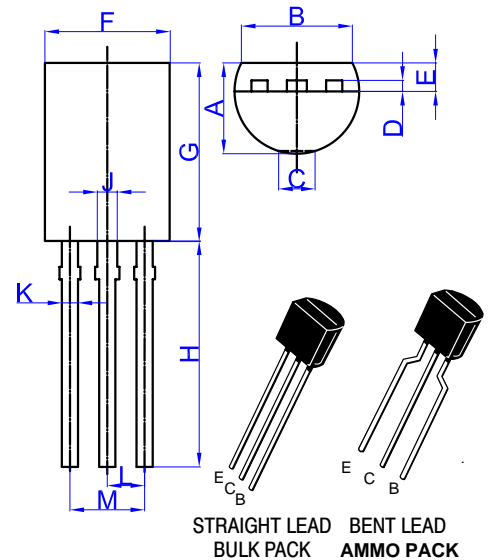
Electrical Characteristics @ 25°C Unless Otherwise Specified

Symbol	Parameter	Min	Max	Units
$V_{(BR)CEO}$	Collector-Emitter Breakdown Voltage ($I_C=10\text{mAdc}$, $I_B=0$)	50	---	Vdc
$V_{(BR)CBO}$	Collector-Base Breakdown Voltage ($I_C=100\mu\text{Adc}$, $I_E=0$)	50	---	Vdc
$V_{(BR)EBO}$	Emitter-Base Breakdown Voltage ($I_E=100\text{mAdc}$, $I_C=0$)	5.0	---	Vdc
I_{CBO}	Collector Cutoff Current ($V_{CB}=50\text{Vdc}$, $I_E=0$)	---	1.0	μAdc
I_{EBO}	Emitter Cutoff Current ($V_{EB}=5.0\text{Vdc}$, $I_C=0$)	---	1.0	μAdc
$h_{FE(1)}$	DC Current Gain ($I_C=0.5\text{Adc}$, $V_{CE}=2.0\text{Vdc}$)	70	240	---
$h_{FE(2)}$	DC Current Gain ($I_C=1.5\text{Adc}$, $V_{CE}=2.0\text{Vdc}$)	40	---	---
$V_{CE(sat)}$	Collector-Emitter Saturation Voltage ($I_C=1\text{Adc}$, $I_B=50\text{mAdc}$)	---	0.5	Vdc
$V_{BE(sat)}$	Base-Emitter Saturation Voltage ($I_C=1.0\text{Adc}$, $I_B=50\text{mA}$)	---	1.2	Vdc
f_T	Transistor Frequency ($I_C=500\text{mAdc}$, $V_{CE}=2.0\text{Vdc}$)	100(Typ)		MHz
C_{ob}	Collector output capacitance ($I_E=0$, $V_{CB}=10\text{Vdc}$, $f=1\text{MHz}$)	40(Typ)		pF
t_{on}	Turn-On time ($I_{B1}=-I_{B2}=0.05$, $V_{CC}=30\text{Vdc}$, $I_C=1\text{Adc}$)	0.1(Typ)		us
t_s	Storage time ($I_{B1}=-I_{B2}=0.05$, $V_{CC}=30\text{Vdc}$, $I_C=1\text{Adc}$)	1.0(Typ)		us
t_f	Fall time ($I_{B1}=-I_{B2}=0.05$, $V_{CC}=30\text{Vdc}$, $I_C=1\text{Adc}$)	0.1(Typ)		us

CLASSIFICATION OF $h_{FE(1)}$

Rank	O	Y
Range	70-140	120-240

TO-92L



DIM	DIMENSIONS				NOTE
	MM		INCHES		
A	3.700	4.100	.146	.161	
B	4.000	---	.157	---	
C	0.000	0.300	0.000	0.012	
D	0.350	0.450	.014	.018	
E	1.280	1.580	.050	.062	
F	4.700	5.100	.185	.201	
G	7.800	8.200	.307	.323	
H	13.800	14.200	.543	.559	
J	.600	.800	.024	.031	
K	0.350	.550	.014	.022	
L	1.270		.050		Straight Lead
	2.200	2.800	.086	.110	Bent Lead
M	2.440		.096		Straight Lead
	4.400	5.600	.173	.220	Bent Lead

* For ammo packing detailed specification, click here to visit our website of product packaging for details.



TM

Micro Commercial Components

Ordering Information :

Device	Packing
Part Number-AP	Ammo Packing: 2Kpcs/Ammo Box
Part Number-BP	Bulk: 50Kpcs/Carton

Note : Adding "-HF" suffix for halogen free, eg. Part Number-AP-HF

IMPORTANT NOTICE

Micro Commercial Components Corp. reserves the right to make changes without further notice to any product herein to make corrections, modifications, enhancements, improvements, or other changes. **Micro Commercial Components Corp.** does not assume any liability arising out of the application or use of any product described herein; neither does it convey any license under its patent rights, nor the rights of others. The user of products in such applications shall assume all risks of such use and will agree to hold **Micro Commercial Components Corp.** and all the companies whose products are represented on our website, harmless against all damages.

LIFE SUPPORT

MCC's products are not authorized for use as critical components in life support devices or systems without the express written approval of Micro Commercial Components Corporation.

CUSTOMER AWARENESS

Counterfeiting of semiconductor parts is a growing problem in the industry. Micro Commercial Components (MCC) is taking strong measures to protect ourselves and our customers from the proliferation of counterfeit parts. MCC strongly encourages customers to purchase MCC parts either directly from MCC or from Authorized MCC Distributors who are listed by country on our web page cited below. Products customers buy either from MCC directly or from Authorized MCC Distributors are genuine parts, have full traceability, meet MCC's quality standards for handling and storage. **MCC will not provide any warranty coverage or other assistance for parts bought from Unauthorized Sources.** MCC is committed to combat this global problem and encourage our customers to do their part in stopping this practice by buying direct or from authorized distributors.

www.mccsemi.com