

6A Avg.

40 Volts

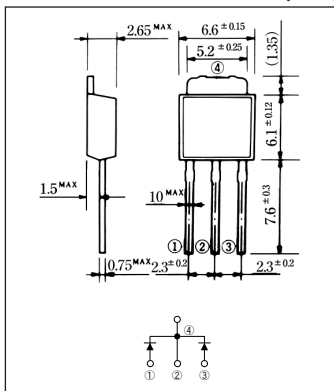
SBD

EA60QC04

■最大定格 Maximum Ratings

| Item   | Symbol       | Conditions   | Unit                          |
|--|--------------|--|-------------------------------|
| くり返しピーク逆電圧<br>Repetitive Peak Reverse Voltage      | $V_{RRM}$    | 40   | V                             |
| 非くり返しピーク逆電圧<br>Non-repetitive Peak Reverse Voltage | $V_{RSM}$    | 45   | V                             |
| 平均整流電流<br>Average Rectified Forward Current        | $I_O$        | 50Hz、正弦波通電抵抗負荷<br>50Hz Full Sine Wave Resistive Load                   | $T_a=20^\circ\text{C}$ 2.0 A  |
|  |              |  | $T_c=118^\circ\text{C}$ 6.0 A |
| 実効順電流<br>R.M.S. Forward Current                    | $I_{F(RMS)}$ | 6.66   | A                             |
| サージ順電流<br>Surge Forward Current                    | $I_{FSM}$    | 45 50Hz正弦全波、1サイクル、非くり返し<br>50Hz Full Sine Wave, 1cycle, Non-repetitive | A                             |
| 動作接合温度範囲<br>Operating Junction Temperature Range   | $T_{jw}$     | -40~+150   | $^\circ\text{C}$              |
| 保存温度範囲<br>Storage Temperature Range                | $T_{stg}$    | -40~+150   | $^\circ\text{C}$              |

■OUTLINE DRAWING(mm)



■APPROX. NET WEIGHT:0.35g

■電氣的・熱的特性 Electrical/Thermal Characteristics

| Item                           | Symbol        | Conditions  | Min. | Typ. | Max. | Unit                      |
|--------------------------------|---------------|---|------|------|------|---------------------------|
| ピーク逆電流<br>Peak Reverse Current | $I_{RM}$      | $T_j=25^\circ\text{C}$ , $V_{RM}=V_{RRM}$ , 一素子あたり<br>Per Diode   | —    | —    | 3    | mA                        |
| ピーク順電圧<br>Peak Forward Voltage | $V_{FM}$      | $T_j=25^\circ\text{C}$ , $I_{FM}=3\text{A}$ , 一素子あたり<br>Per Diode | —    | —    | 0.55 | V                         |
| 熱抵抗<br>Thermal Resistance      | $R_{th(j-a)}$ | 接合部・周囲間<br>Junction to Ambient                                    | —    | —    | 80   | $^\circ\text{C}/\text{W}$ |
|                                | $R_{th(j-c)}$ | 接合部・ケース間<br>Junction to Case                                      | —    | —    | 5    | $^\circ\text{C}/\text{W}$ |

\* Print Land=20×20mm

■定格・特性曲線

