

1.7A Avg. 100 Volts

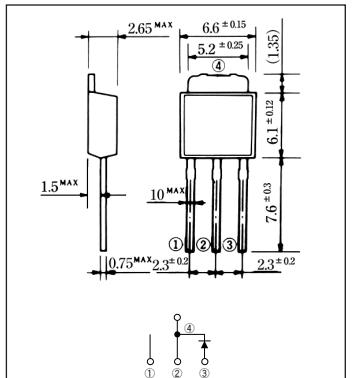
SBD

EA20QS10

最大定格 Maximum Ratings

| Item | Symbol | Conditions | Unit |
|--|-------------------|--|------------------|
| くり返しピーク逆電圧 Repetitive Peak Reverse Voltage | V_{RRM} | 100 | V |
| 平均整流電流 Average Rectified Forward Current | I_O | $T_a=28^\circ\text{C}$ | 1.7 A |
| | | $T_c=138^\circ\text{C}$ | 1.7 A |
| 実効順電流 R.M.S. Forward Current | $I_F(\text{RMS})$ | 2.67 | A |
| サージ順電流 Surge Forward Current | I_{FSM} | 40 50Hz正弦半波, 1サイクル, 非くり返し 50Hz Half Sine Wave, 1cycle, Non-repetitive | A |
| 動作接合温度範囲 Operating Junction Temperature Range | T_{jw} | -40~+150 | $^\circ\text{C}$ |
| 保存温度範囲 Storage Temperature Range | T_{stg} | -40~+150 | $^\circ\text{C}$ |

OUTLINE DRAWING(mm)



APPROX. NET WEIGHT: 0.35g

電氣的・熱的特性 Electrical/Thermal Characteristics

| Item | Symbol | Conditions | Min. | Typ. | Max. | Unit |
|--------------------------------|---------------|--|------|------|------|---------------------------|
| ピーク逆電流 Peak Reverse Current | I_{RM} | $T_j=25^\circ\text{C}, V_{RM}=V_{RRM}$ | — | — | 1 | mA |
| ピーク順電圧 Peak Forward Voltage | V_{FM} | $T_j=25^\circ\text{C}, I_{FM}=2\text{A}$ | — | — | 0.85 | V |
| 熱抵抗 Thermal Resistance | $R_{th(j-a)}$ | 接合部・周囲間 Junction to Ambient | — | — | 80 | $^\circ\text{C}/\text{W}$ |
| | $R_{th(j-c)}$ | 接合部・ケース間 Junction to Case | — | — | 7 | $^\circ\text{C}/\text{W}$ |

* Print Land = 20 × 20mm

定格・特性曲線

