

16A Avg.

400 Volts

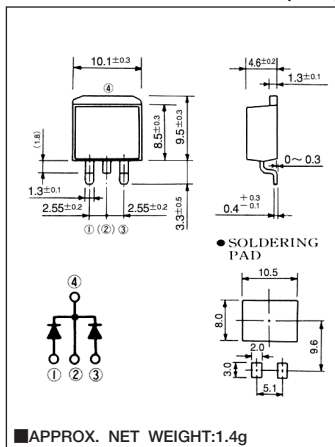
FRED

C16T40F

■最大定格 Maximum Ratings

Item	Symbol	Conditions	Unit
くり返しピーク逆電圧 Repetitive Peak Reverse Voltage	$V_{RRM}$	400	V
非くり返しピーク逆電圧 Non-repetitive Peak Reverse Voltage	$V_{RSM}$	440	V
平均整流電流 Average Rectified Forward Current	$I_O$	50Hz, 正弦全波電抵抗負荷 50Hz Full Sine Wave Resistive Load	$T_c=109^\circ\text{C}$ 16
実効順電流 R.M.S. Forward Current	$I_F(\text{RMS})$	18	A
サージ順電流 Surge Forward Current	$I_{FSM}$	120 50Hz正弦全波, 1サイクル, 非くり返し 50Hz Full Sine Wave, 1cycle, Non-repetitive	A
動作接合温度範囲 Operating Junction Temperature Range	$T_{jw}$	-40~+150	$^\circ\text{C}$
保存温度範囲 Storage Temperature Range	$T_{stg}$	-40~+150	$^\circ\text{C}$

■OUTLINE DRAWING(mm)



■電氣的・熱的特性 Electrical/Thermal Characteristics

Item	Symbol	Conditions	Min.	Typ.	Max.	Unit
ピーク逆電流 Peak Reverse Current	$I_{RM}$	$T_j=25^\circ\text{C}$ , $V_{RM}=V_{RRM}$ , 一素子あたり Per Diode	—	—	30	$\mu\text{A}$
ピーク順電圧 Peak Forward Voltage	$V_{FM}$	$T_j=25^\circ\text{C}$ , $I_{FM}=8\text{A}$ , 一素子あたり Per Diode	—	—	1.25	V
逆回復時間 Reverse Recovery Time	$t_{rr}$	$I_{FM}=8\text{A}$ , $-di/dt=50\text{A}/\mu\text{s}$ , $T_j=25^\circ\text{C}$	—	—	45	ns
熱抵抗 Thermal Resistance	$R_{th(j-c)}$	接合部・ケース間 Junction to Case	—	—	2	$^\circ\text{C}/\text{W}$

■定格・特性曲線

