

6A Avg.

200 Volts

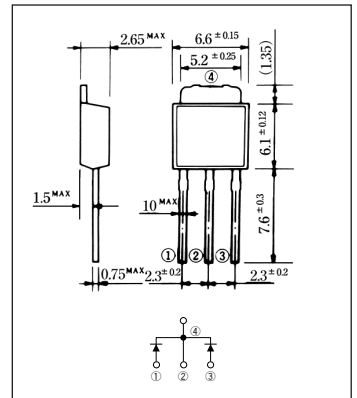
FRED

EA61FC2

最大定格 Maximum Ratings

Item	Symbol	Conditions	Unit
くり返しピーク逆電圧 Repetitive Peak Reverse Voltage	V_{RRM}	200	V
非くり返しピーク逆電圧 Non-repetitive Peak Reverse Voltage	V_{RSM}	220	A
平均整流電流 Average Rectified Forward Current	I_O	50Hz、正弦波通電抵抗負荷 50Hz Full Sine Wave Resistive Load	$T_a=28^\circ\text{C}$ 2 A
P.C.Board mounted*		$T_c=117^\circ\text{C}$ 6 A	
実効順電流 R.M.S. Forward Current	$I_F(\text{RMS})$	6.66	A
サージ順電流 Surge Forward Current	I_{FSM}	45 50Hz正弦全波、1サイクル、非くり返し 50Hz Full Sine Wave, 1cycle, Non-repetitive	A
動作接合温度範囲 Operating Junction Temperature Range	T_{jw}	$-40\sim+150^\circ\text{C}$	$^\circ\text{C}$
保存温度範囲 Storage Temperature Range	T_{stg}	$-40\sim+150^\circ\text{C}$	$^\circ\text{C}$

OUTLINE DRAWING(mm)



APPROX. NET WEIGHT:0.35 g

電氣的・熱的特性 Electrical/Thermal Characteristics

Item	Symbol	Conditions	Min.	Typ.	Max.	Unit
ピーク逆電流 Peak Reverse Current	I_{RM}	$T_j=25^\circ\text{C}$, $V_{RM}=V_{RRM}$, 一素子あたり Per Diode	—	—	10	μA
ピーク順電圧 Peak Forward Voltage	V_{FM}	$T_j=25^\circ\text{C}$, $I_{FM}=3\text{A}$, 一素子あたり Per Diode	—	—	0.98	V
逆回復時間 Reverse Recovery Time	t_{rr}	$I_{FM}=3\text{A}$, $-di/dt=50\text{A}/\mu\text{s}$, $T_j=25^\circ\text{C}$	—	—	30	ns
熱抵抗 Thermal Resistance	$R_{th(j-a)}$	接合部・周囲間 Junction to Ambient	—	—	80	$^\circ\text{C}/\text{W}$
	$R_{th(j-c)}$	接合部・ケース間 Junction to Case	—	—	5	$^\circ\text{C}/\text{W}$

* Print Land =20×20 mm

定格・特性曲線

